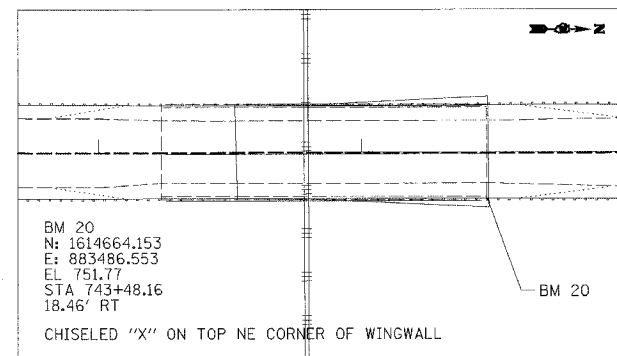
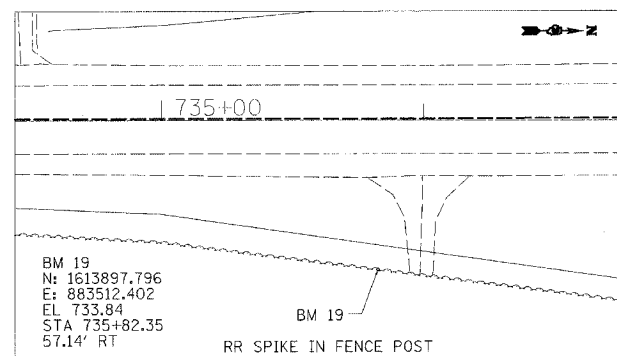
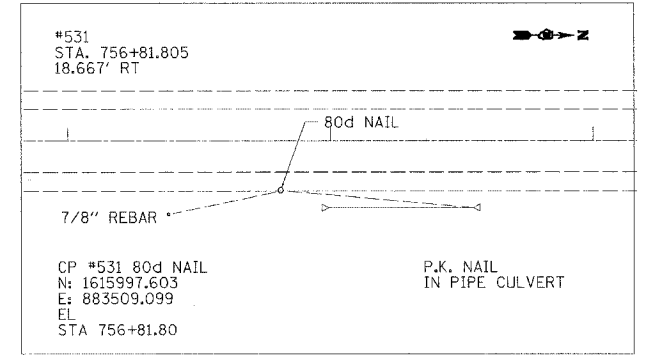
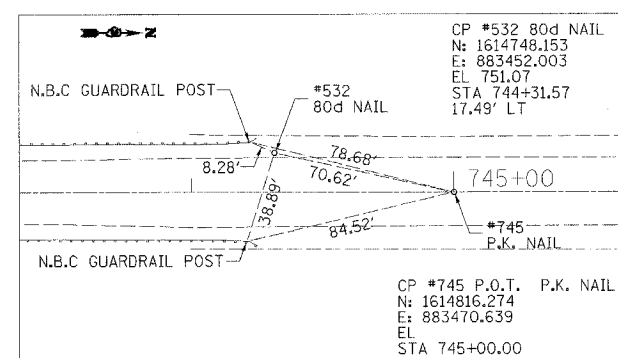
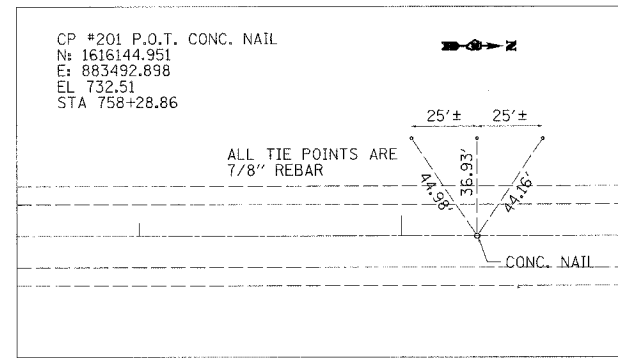
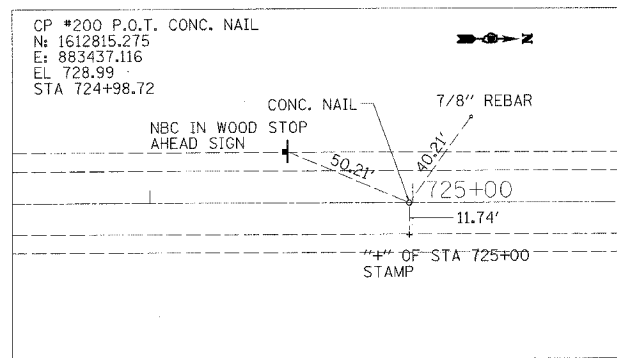
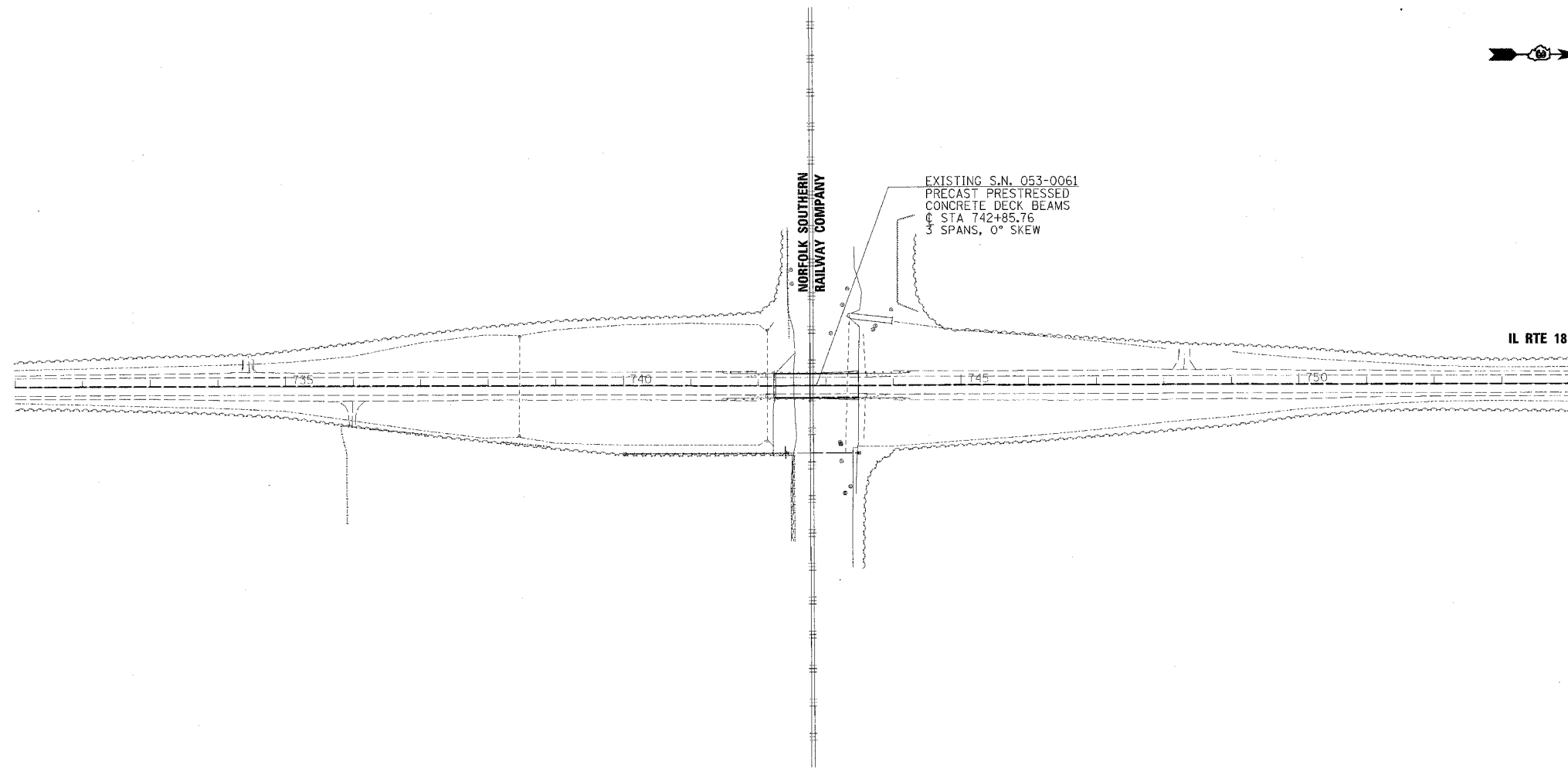


F.A.P. RTE.	SECTION	COUNTY	TOTAL SHEETS	SHEET NO.
653	28VBR	LIVINGSTON	28	6
FED. ROAD DIST. NO.		ILLINOIS FED. AID PROJECT		CONTRACT NO. 66609



REVISIONS	
NAME	DATE

ILLINOIS DEPARTMENT OF TRANSPORTATION
 F.A.P. ROUTE 653 (IL 18)

ALIGNMENT, TIES AND BENCHMARKS

SCALE: VERT. _____
 HORIZ. _____
 DATE: MARCH 15, 2006

DRAWN BY: NEC
 CHECKED BY: MRH

3/15/2006 1:30:55 PM k:\V200203\Gcode\des\gn\200203.Alignment.dgn