

P. A. SHE.	SECTION	COUNTY	TOTAL SHEETS	SHEET NO.
57	.	**	3	2
STA.		TO STA.		
FED. ROAD DIST. NO. .		ILLINOIS	FED. AID PROJECT	

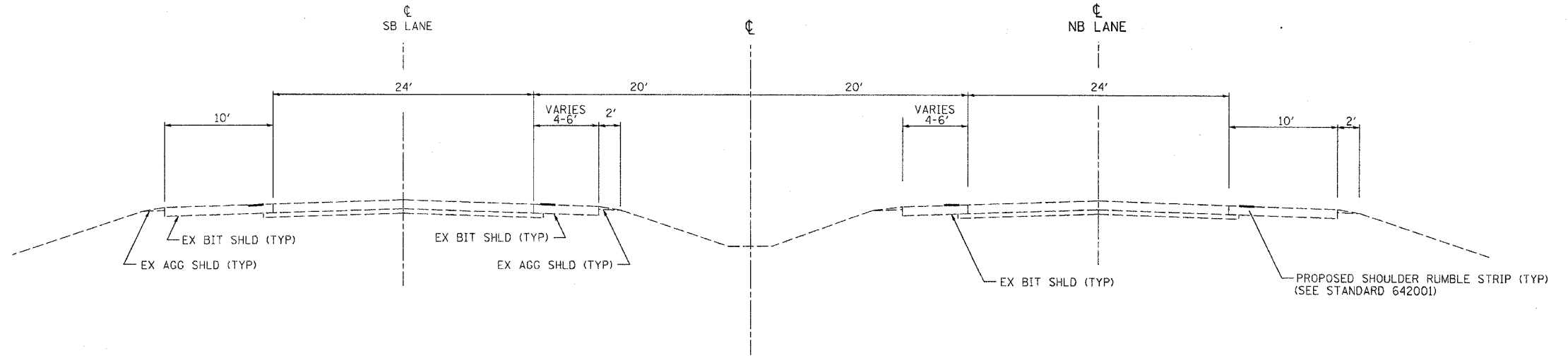
*D3 INTERSTATE SAFETY 2007-1
 **FORD, IROQUOIS, KANKAKEE

GENERAL NOTES
 (Revised January 1, 2002)

ABANDONED UNDERGROUND UTILITIES THAT CONFLICT WITH CONSTRUCTION SHALL BE DISPOSED OF OUTSIDE THE LIMITS OF THE RIGHT OF WAY ACCORDING TO ARTICLE 202.03 OF THE STANDARD SPECIFICATIONS AND AS DIRECTED BY THE ENGINEER. THIS WORK WILL NOT BE PAID FOR SEPARATELY BUT SHALL BE INCLUDED IN THE COST OF EARTH EXCAVATION.

ANY REFERENCE TO A STANDARD IN THESE PLANS SHALL BE INTERPRETED TO MEAN THE EDITION AS INDICATED BY THE SUBNUMBER LISTED ON THE INDEX OF SHEETS OR THE COPY OF THE STANDARD INCLUDED IN THESE PLANS.

COMMITMENTS:
 NONE



MM POSTS 257.14 TO 325.0
 OMIT ALL RIVER BRIDGE STRUCTURES
 OMIT MM 298.2 TO MM 302.6

TYPICAL SECTION
FAI 57

STATE OF ILLINOIS
 DEPARTMENT OF TRANSPORTATION
 DISTRICT THREE

PREPARED BY: Phil Powell
 DISTRICT STUDIES & PLANS ENGINEER

DATE: 1-18-2006

EXAMINED BY: Robert D. [Signature]
 DISTRICT CONSTRUCTION ENGINEER

[Signature]
 DISTRICT MATERIALS ENGINEER

[Signature]
 DISTRICT OPERATIONS ENGINEER

REVISIONS	
NAME	DATE

ILLINOIS DEPARTMENT OF TRANSPORTATION
**GENERAL NOTES &
 TYPICAL
 SECTION**