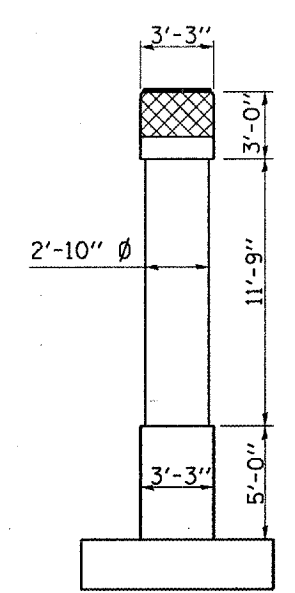
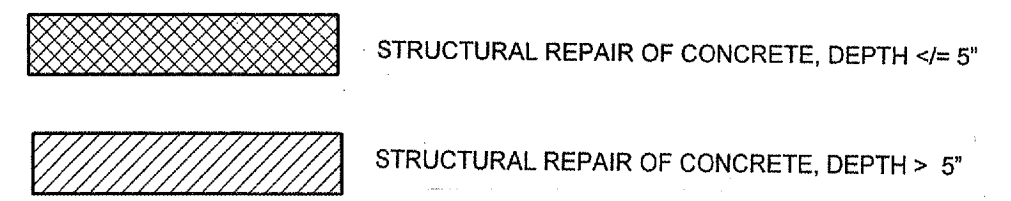
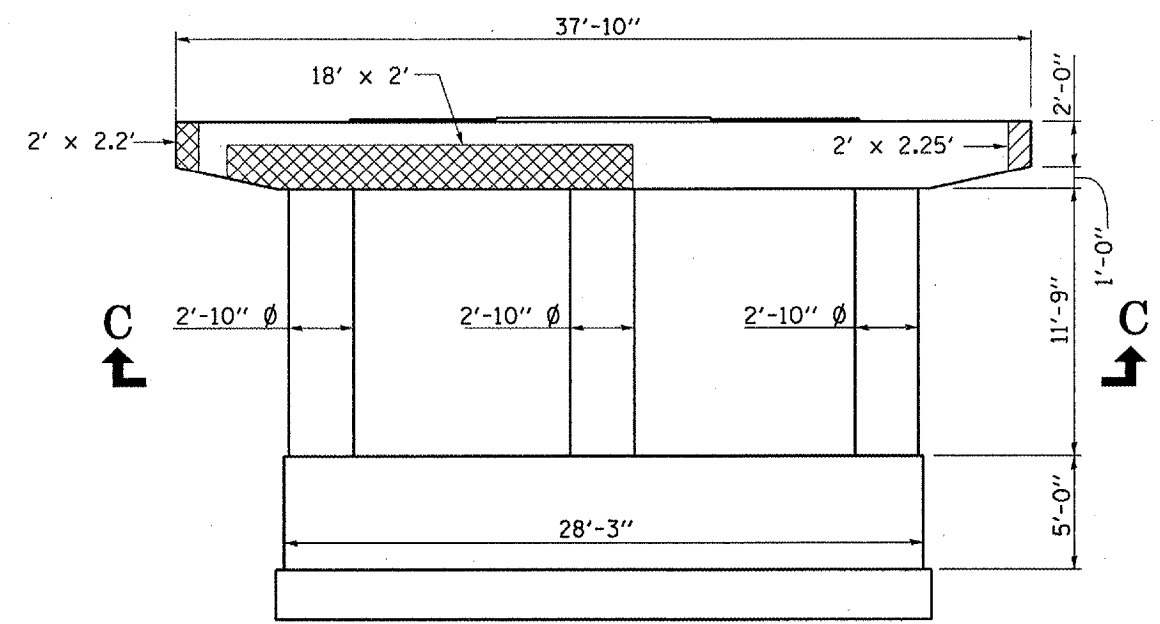


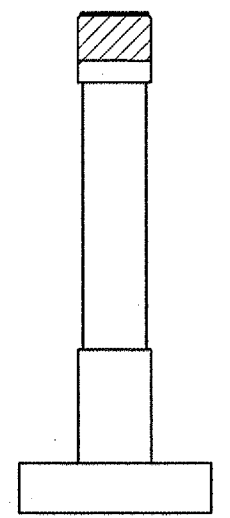
VIEW C-C



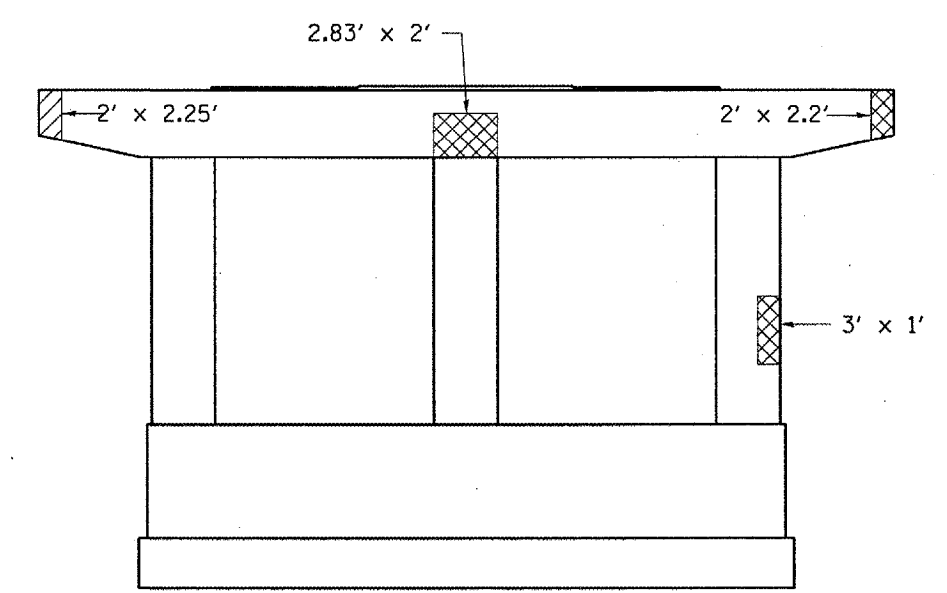
WEST END



SOUTH FACE



EAST END



NORTH FACE

PIER #3
050-0078 NB

BILL OF MATERIAL

Item	Unit	Total
STRUCTURAL REPAIR OF CONCRETE, DEPTH ≤ 5"	SQ. FT.	94
STRUCUTRAL REPAIR OF CONCRETE, DEPTH > 5"	SQ. FT.	15.5

REVISIONS	DATE
NAME	

ILLINOIS DEPARTMENT OF TRANSPORTATION
PIER REPAIR DETAILS
PIER #3 S.N. 050-0078 NBL
 IL ROUTE 251 OVER INTERSTATE ROUTE 80
 F.A.I. ROUTE 80 SECTION (50-2HB)1-1
 LASALLE COUNTY
 STATION 569+41.10
 DATE 01/17/2006 DRAWN BY RLW

DATE: 01/17/2006
 c:/projects/cmain07/cm305/details.dgn