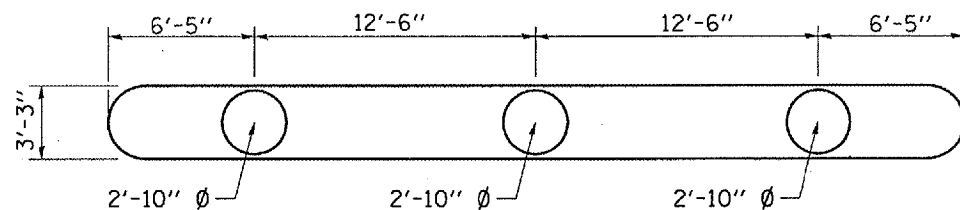
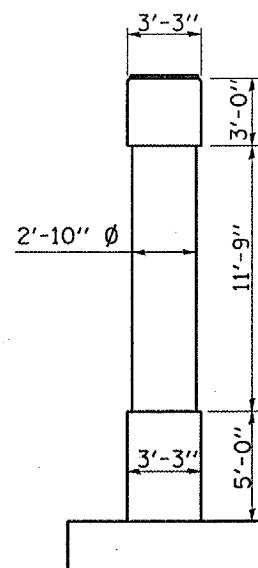


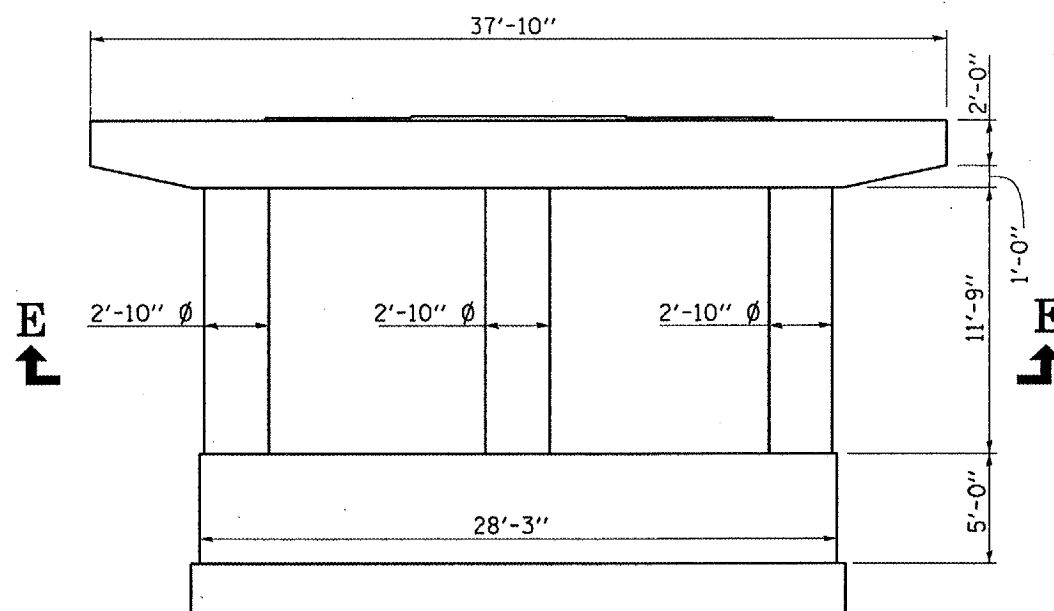
F.A.I. RTE.	SECTION	COUNTY	TOTAL SHEETS	SHEET NO.
80	(50-2HB)I-1	LASALLE	26	16
		ILLINOIS	STATE PROJECT	



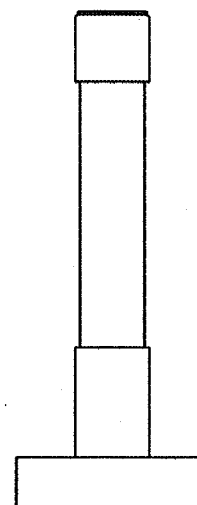
VIEW E-E



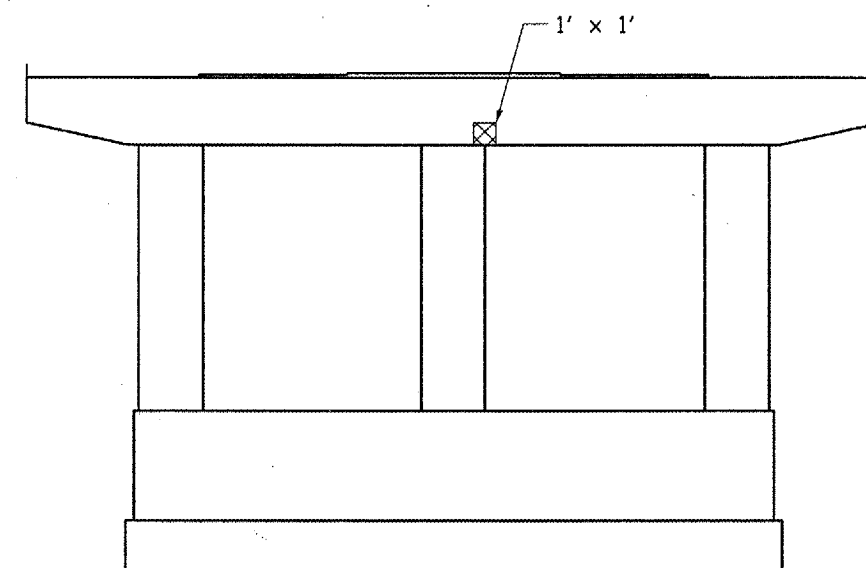
WEST END



SOUTH FACE



EAST END



NORTH FACE

BILL OF MATERIAL

Item	Unit	Total
STRUCTURAL REPAIR OF CONCRETE, DEPTH \leq 5"	SQ. FT.	1

PIER #2

050-0077 SB

REVISIONS	
NAME	DATE

ILLINOIS DEPARTMENT OF TRANSPORTATION
PIER REPAIR DETAILS
PIER #2 S.N. 050-0077 SBL
 IL ROUTE 251 OVER INTERSTATE ROUTE 80
 F.A.I. ROUTE 80 SECTION (50-2HB)I-1
 LASALLE COUNTY
 STATION 569+41.10

DATE 01/17/2006

DRAWN BY RLW

DATE: 01/17/2006
 c:/projects/cmain07/cm305/details.dgn