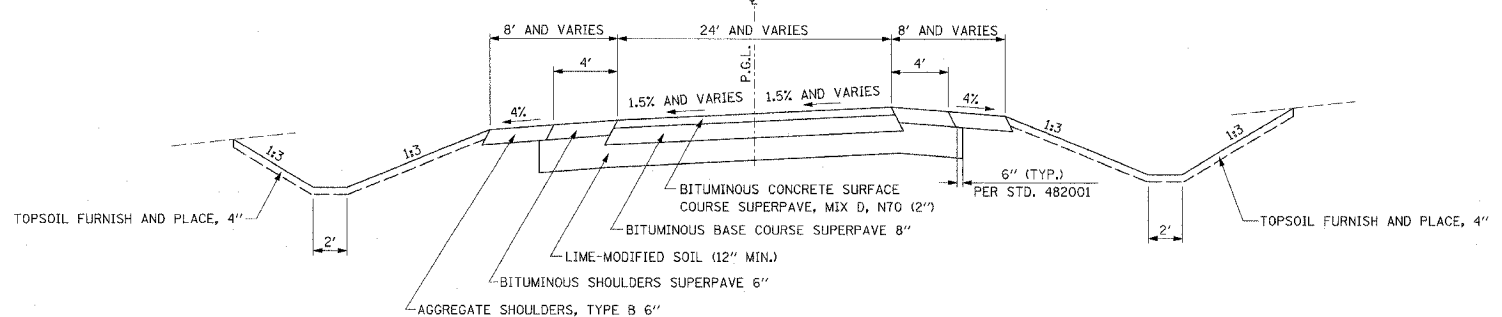
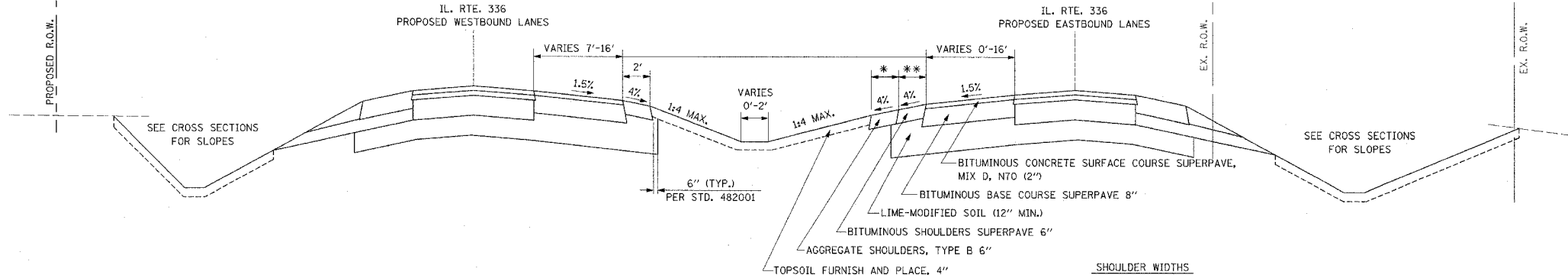


F.A.P. RTE.	SECTION	COUNTY	TOTAL SHEETS	SHEET NO.
315	55-2	MCDONOUGH	1025	21
STA.		TO STA.		
FED. ROAD DIST. NO. 4		ILLINOIS FED. AID PROJECT		



**U.S. ROUTE 136 TO IL. ROUTE 336
CROSSOVER SECTION**

CROSSOVER STA. 16+96.34 TO STA. 28+00 =
IL. RTE. 336 STA. 116+98.59 TO STA. 128+00

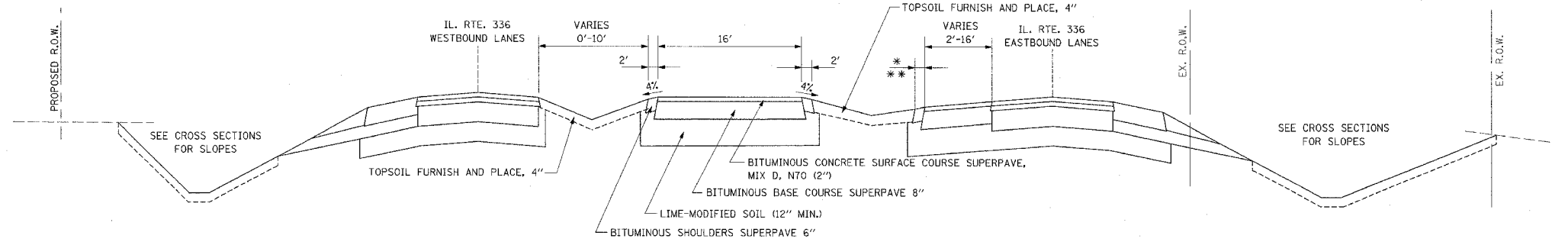


**U.S. ROUTE 136 TO IL. ROUTE 336
CROSSOVER SECTION**

LT. STA. 128+00.00 TO STA. 129+49.13
RT. STA. 128+00.00 TO STA. 131+72.75
RT. STA. 134+22.56 TO STA. 135+86.83
LT. STA. 134+43.67 TO STA. 137+93.10

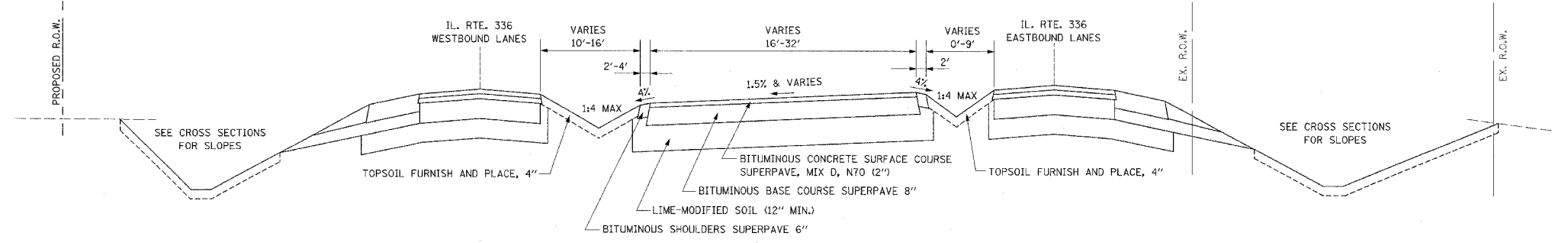
SHOULDER WIDTHS

RT. STA. 128+00 TO STA. 131+72.75	**=4'
RT. STA. 134+22.56 TO STA. 135+86.83	**=4'
	*=0'
	**=2'



**U.S. ROUTE 136 TO IL. ROUTE 336
CROSSOVER SECTION**

LT. STA. 129+49.13 TO STA. 131+75.55 **=4'
LT. STA. 133+85.46 TO STA. 134+43.67 **=2'



**U.S. ROUTE 136 TO IL. ROUTE 336
CROSSOVER SECTION**

LT. STA. 131+75.55 TO STA. 133+85.46
RT. STA. 131+75.55 TO STA. 134+22.56

REVISIONS	
NAME	DATE

ILLINOIS DEPARTMENT OF TRANSPORTATION

**TYPICAL SECTIONS
U.S. ROUTE 136 TO IL. ROUTE 336
CROSSOVER**

DATE _____

DRAWN BY _____
CHECKED BY _____