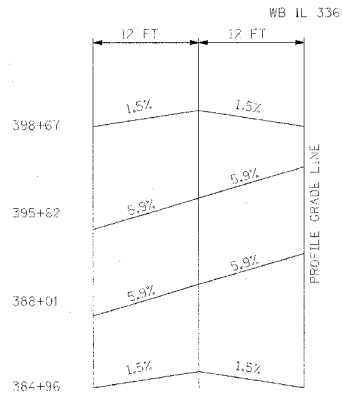
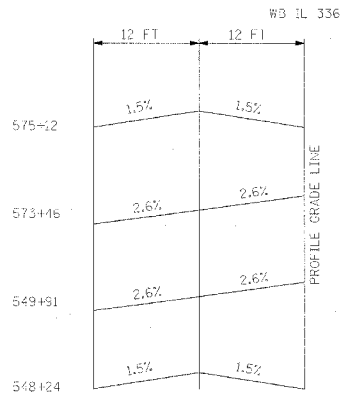
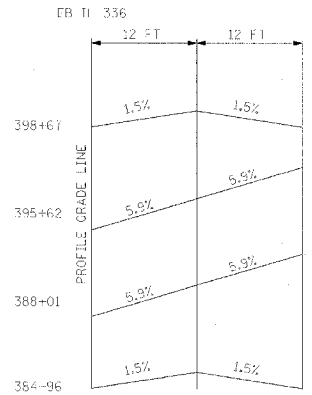


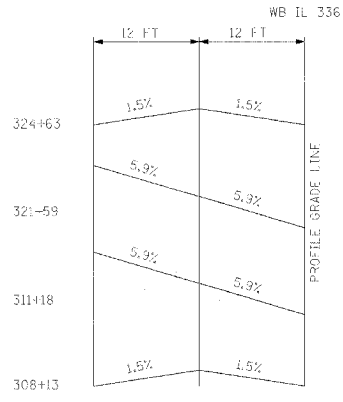
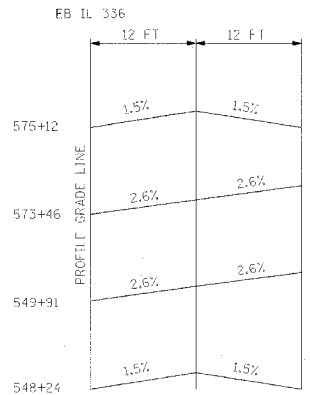
F.A.P. RTE.	SECTION	COUNTY	TOTAL SHEETS	SHEET NO.
315	55-2	McDONOUGH	1025	26
STA.		TO STA.		
FED. ROAD DIST. NO. 4		ILLINOIS FED. AID PROJECT		



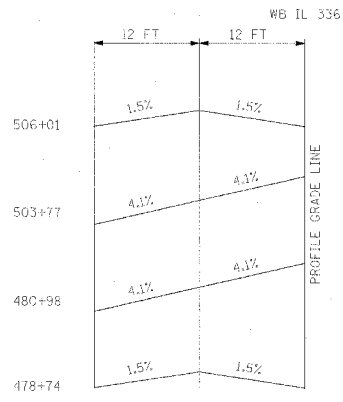
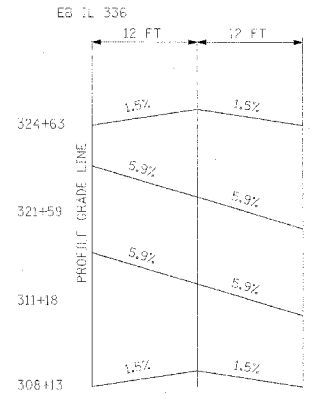
IL 336



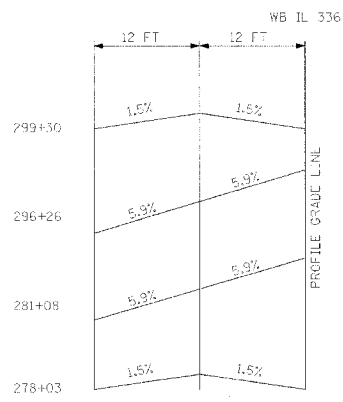
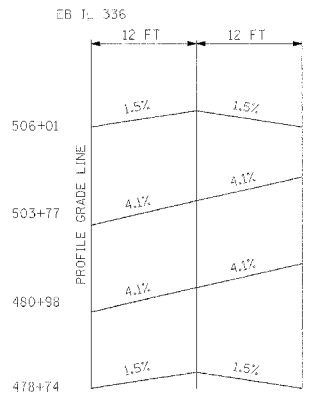
IL 336



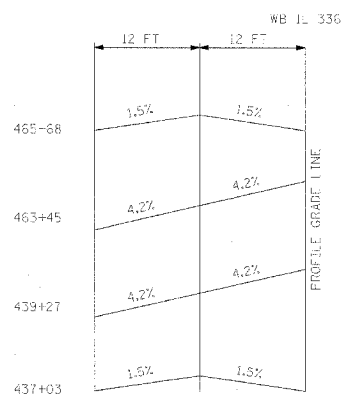
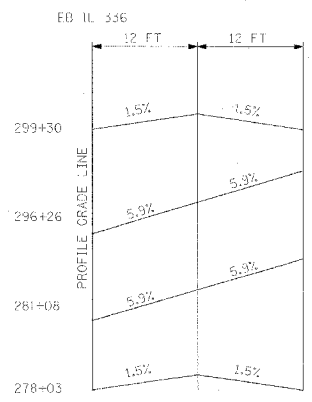
IL 336



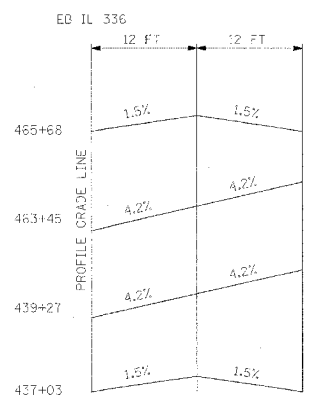
IL 336



IL 336



IL 336



REVISIONS	
NAME	DATE

ILLINOIS DEPARTMENT OF TRANSPORTATION
SUPERELEVATION TRANSITION DETAIL
IL. ROUTE 336
STA. 277+20 TO STA. 507+20
 DRAWN BY
 CHECKED BY
 DATE 3/30/06