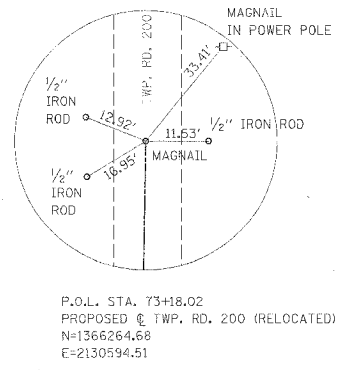
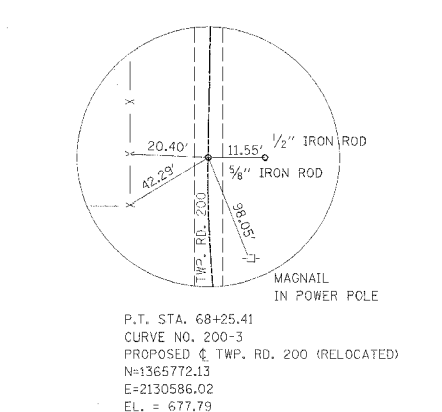
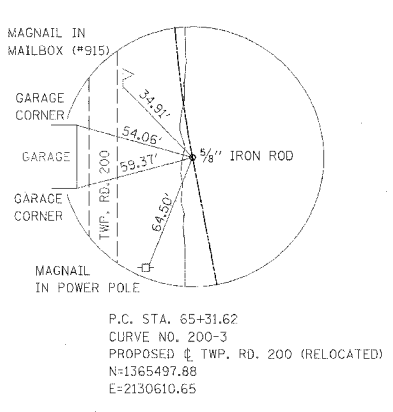
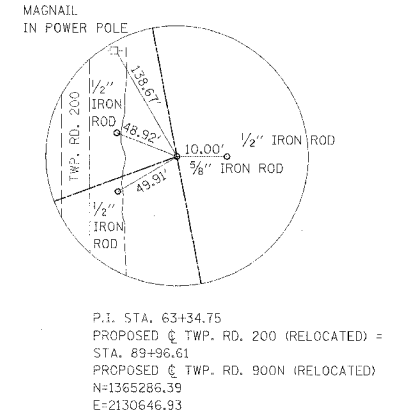
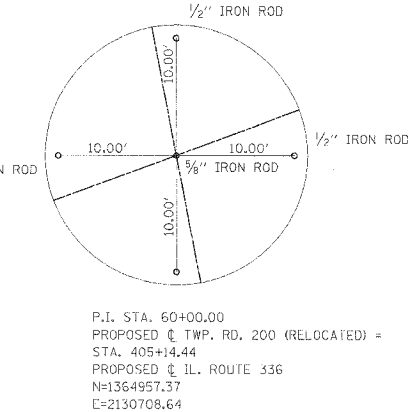
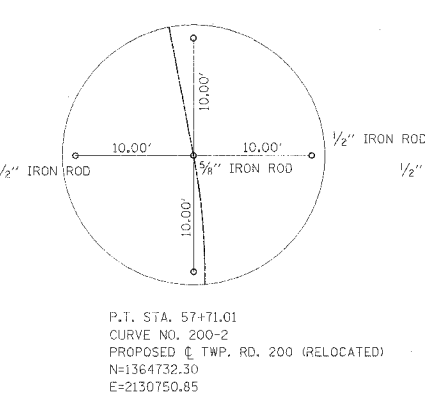
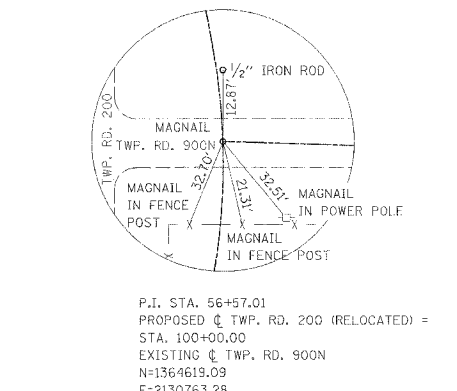
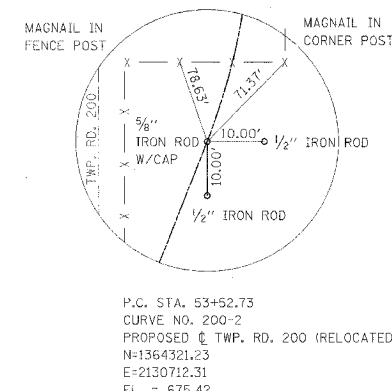
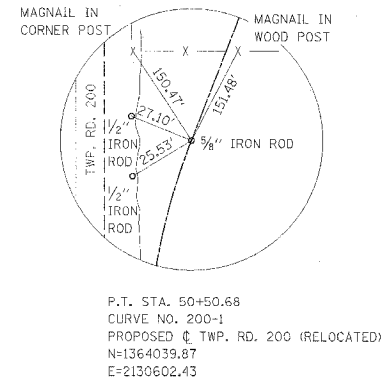
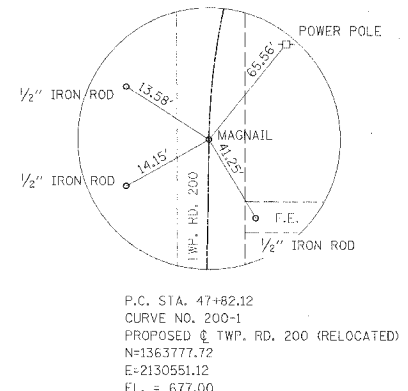
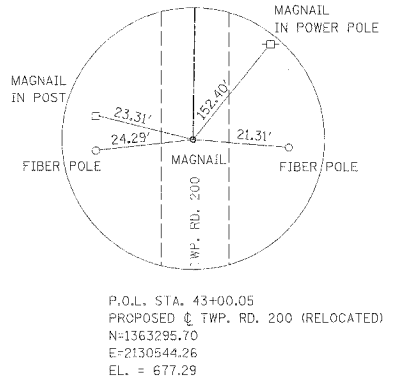
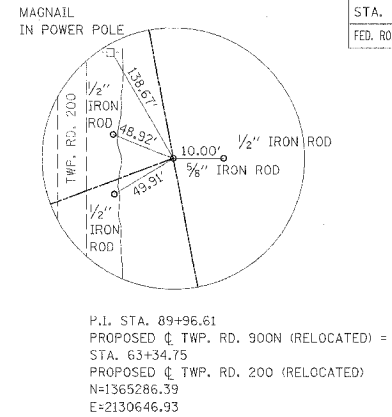
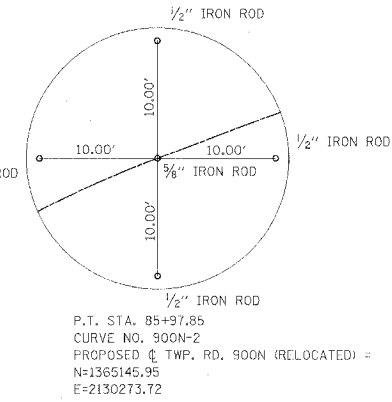
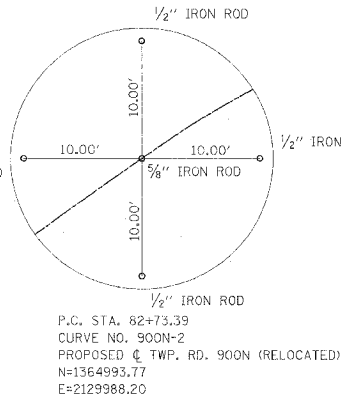
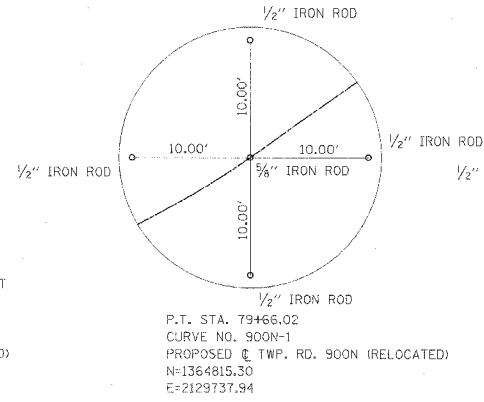
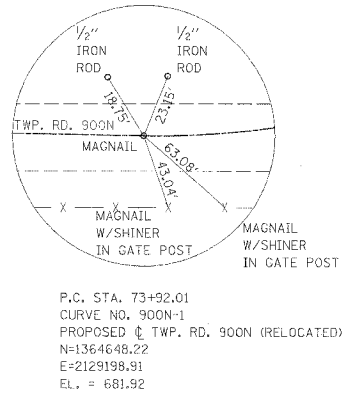
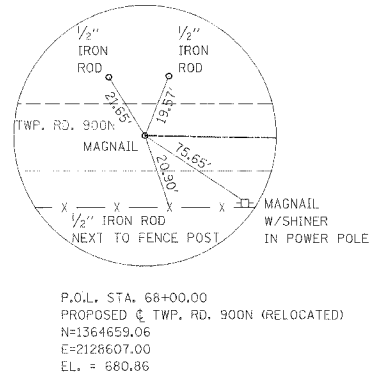


ALIGNMENT TIES

F.A.P. RTE.	SECTION	COUNTY	TOTAL SHEETS	SHEET NO.
315	55-2	MCDONOUGH	1025	62
STA.		TO STA.		
FED. ROAD DIST. NO. 4		ILLINOIS FED. AID PROJECT		



REVISIONS	
NAME	DATE

ILLINOIS DEPARTMENT OF TRANSPORTATION
**ALIGNMENT TIES AND BENCHMARKS
TWP. RD. 900N (RELOCATED) AND
TWP. RD. 200 (RELOCATED)**

DATE 3/30/06

DRAWN BY
CHECKED BY