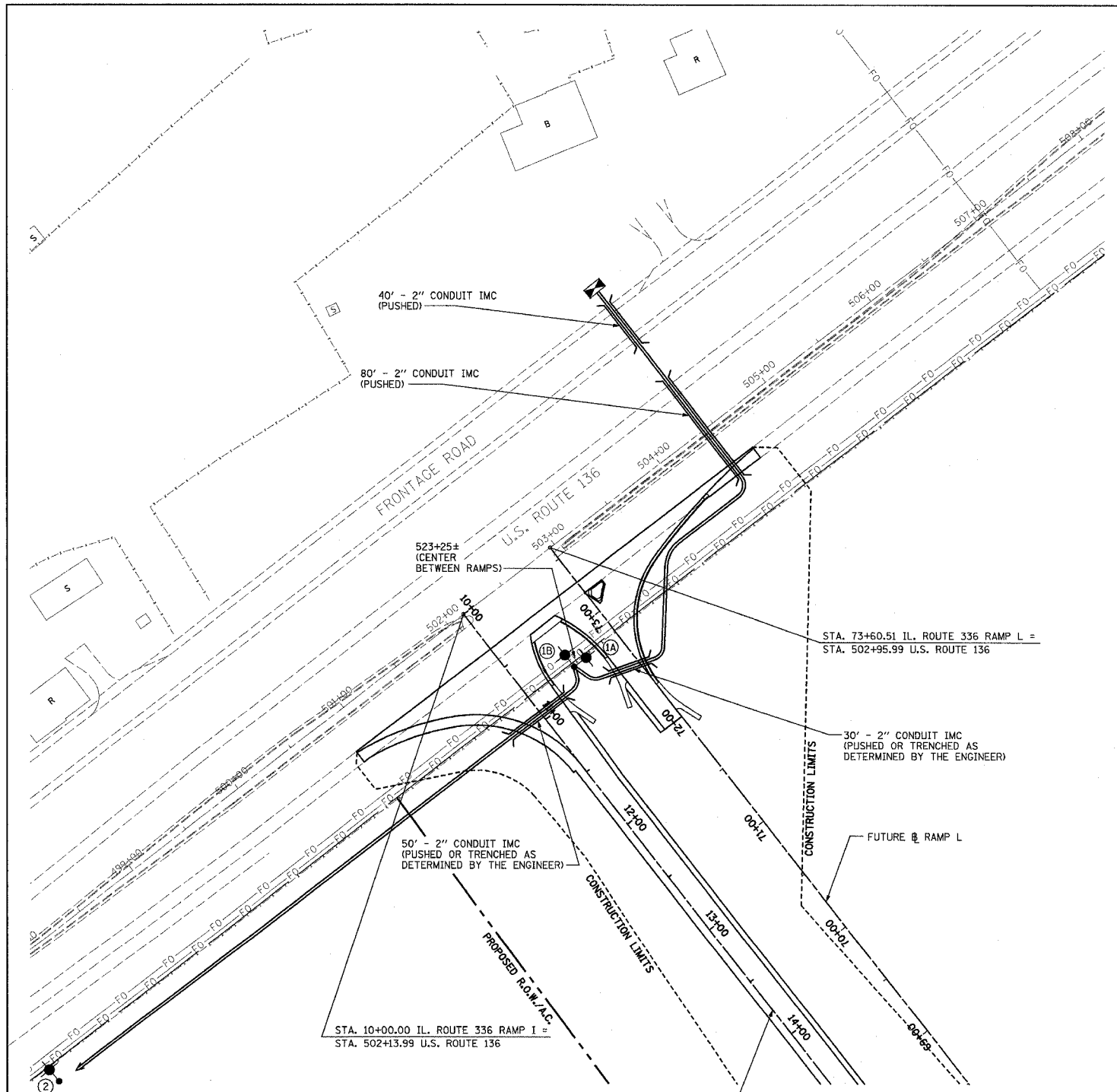
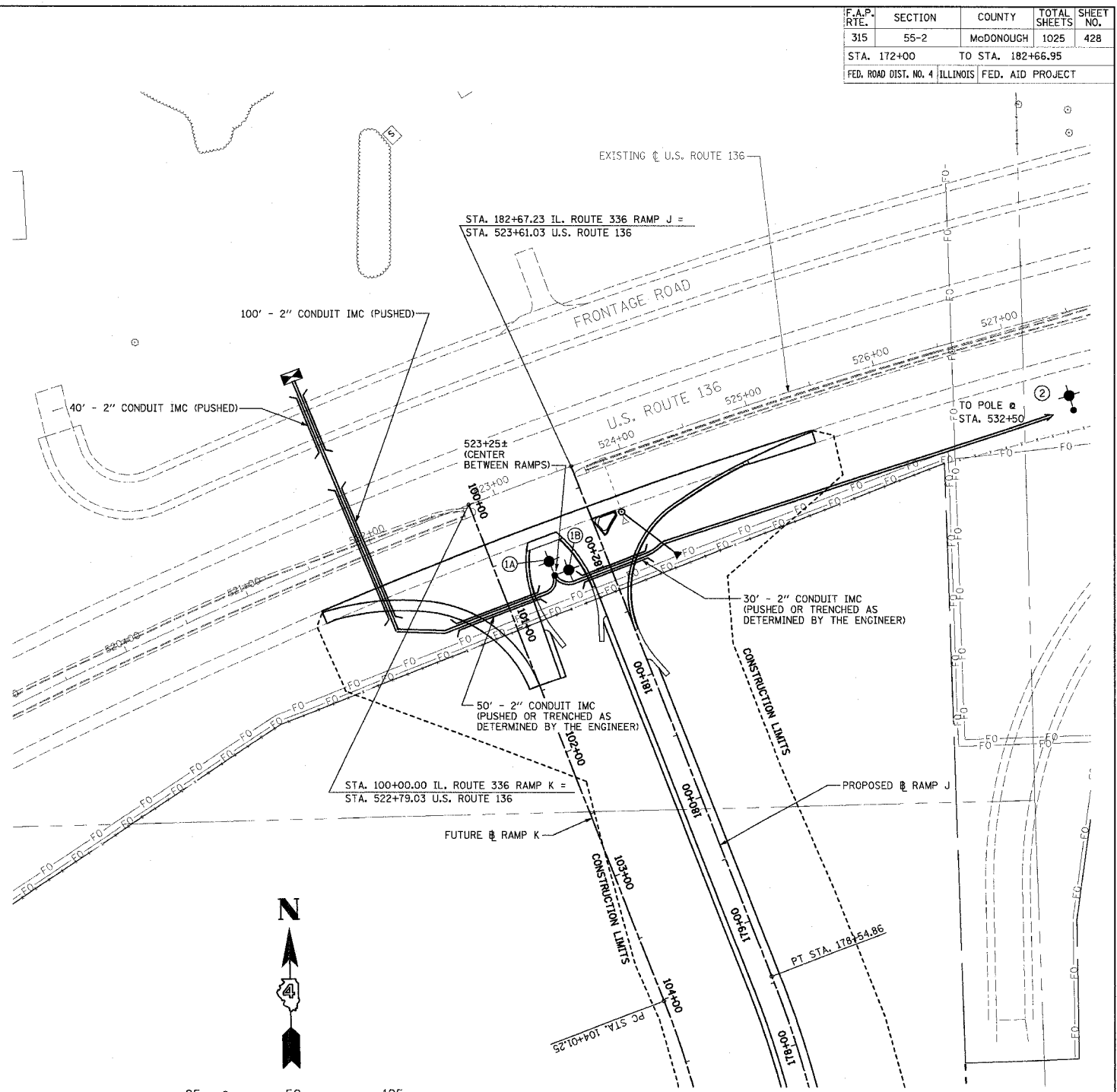


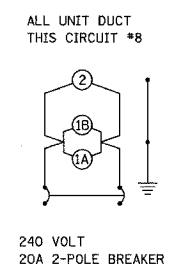
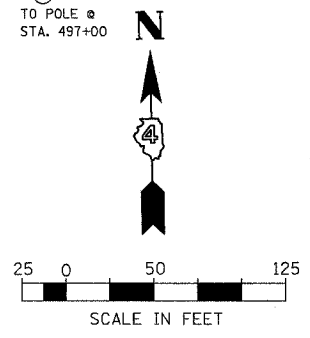
F.A.P. RTE.	SECTION	COUNTY	TOTAL SHEETS	SHEET NO.
315	55-2	McDONOUGH	1025	428
STA. 172+00		TO STA. 182+66.95		
FED. ROAD DIST. NO. 4 ILLINOIS FED. AID PROJECT				



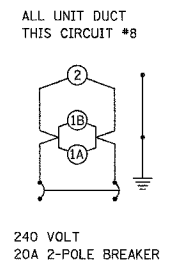
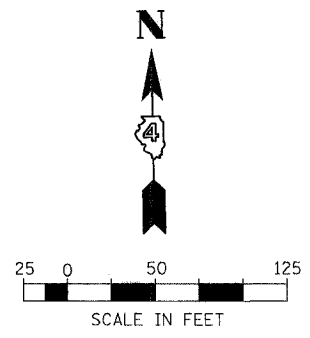
**LIGHTING PLAN
RAMP I**



**LIGHTING PLAN
RAMP J**



- LEGEND**
- LIGHT POLE, STEEL GALVANIZED, 45' M.H., TENON MOUNT, W/250W HPS MULTI-MOUNT LUMINAIRE ON 6'x8" METAL FOUNDATION ON STEEL BREAKAWAY COUPLINGS W/STAINLESS STEEL SCREEN
 - LIGHT POLE, STEEL GALVANIZED, 45' M.H., TENON MOUNT TWIN, W/250W HPS MULTI-MOUNT LUMINAIRE ON 8'x8" METAL FOUNDATION ON STEEL BREAKAWAY COUPLINGS W/STAINLESS STEEL SCREEN
 - LIGHTING CONTROLLER PHOTOCELL RELAY
 - CONDUIT (PUSHED OR TRENCHED, SIZED AS NOTED)
 - UNIT DUCT 2 1/2 XLP, 1 1/2 XLP (SIZED AS NOTED)



REVISIONS	
NAME	DATE

ILLINOIS DEPARTMENT OF TRANSPORTATION

**LIGHTING PLAN
RAMP I AND RAMP J**

DATE 3/30/06

DRAWN BY
CHECKED BY

DRAWN BY: J. J. ...