

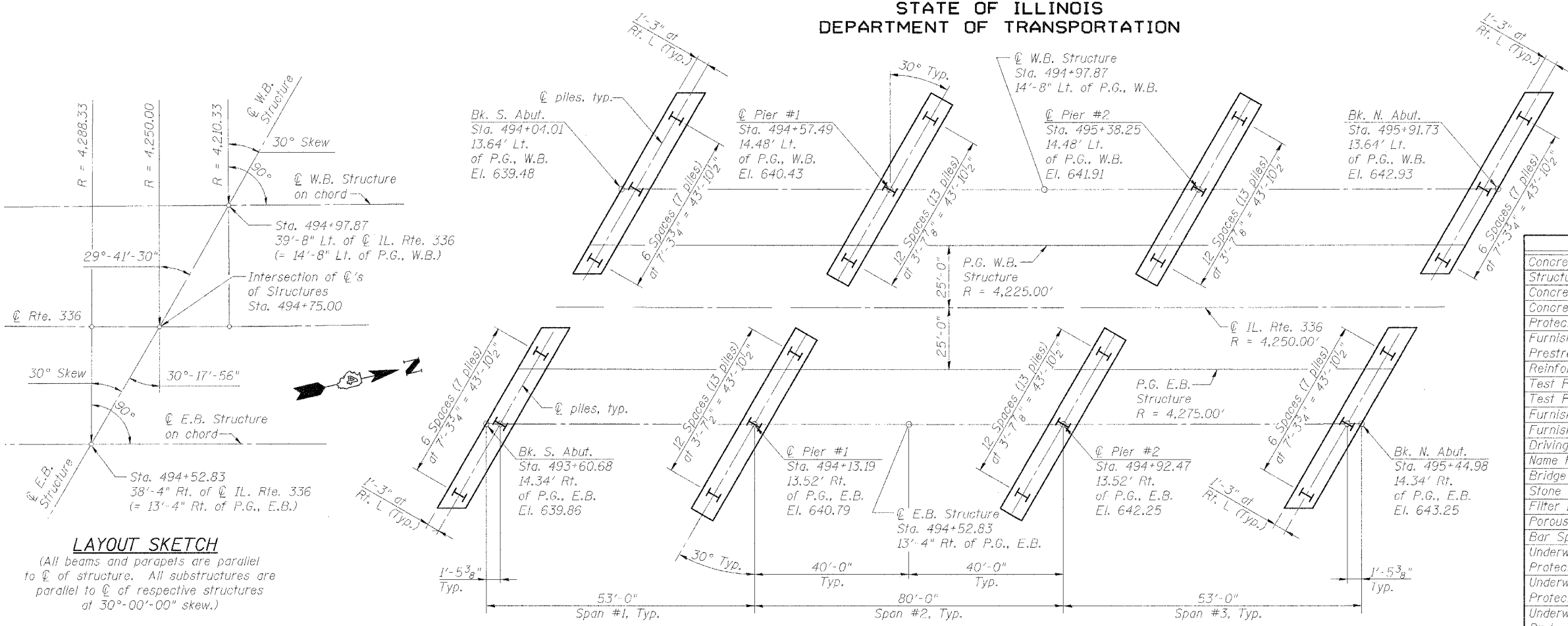
STATE OF ILLINOIS
DEPARTMENT OF TRANSPORTATION

ROUTE NO.	SECTION	COUNTY	TOTAL SHEETS	SHEET NO.
F.A.P. 315	55-2	McDONOUGH	1025	480
FED. ROAD DIST. NO.	DISTRICT	FED. AID PROJECT		

SHEET NO. 2

22 SHEETS

Contract No. 68205



TOTAL BILL OF MATERIAL
(Two Bridges)

ITEM	UNIT	SUPER	SUB	TOTAL
Concrete Encasement	Cu. Yd.	-	223.9	223.9
Structure Excavation	Cu. Yd.	-	552	552
Concrete Structures	Cu. Yd.	-	187.7	187.7
Concrete Superstructure	Cu. Yd.	592.7	-	592.7
Protective Coat	Sq. Yd.	2,023	-	2,023
Furnishing and Erecting Precast Prestressed Concrete I-beams, 42"	Foot	2,564	-	2,564
Reinforcement Bars, Epoxy Coated	Pound	116,770	31,060	147,830
Test Pile Steel HP 12 x 53	Each	-	4	4
Test Pile Steel HP 14 x 73	Each	-	4	4
Furnishing Steel Piles HP 12 x 53	Foot	-	1,176	1,176
Furnishing Steel Piles HP 14 x 73	Foot	-	2,388	2,388
Driving Steel Piles	Foot	-	3,564	3,564
Name Plates	Each	2	-	2
Bridge Deck Grooving	Sq. Yd.	1,626	-	1,626
Stone Riprap, Class B3	Sq. Yd.	-	2,225	2,225
Filter Fabric	Sq. Yd.	-	2,225	2,225
Porous Granular Embankment (Special)	Cu. Yd.	-	520	520
Bar Splicers	Each	164	-	164
Underwater Structure Excavation Protection, Location 1	Each	-	1	1
Underwater Structure Excavation Protection, Location 2	Each	-	1	1
Underwater Structure Excavation Protection, Location 3	Each	-	1	1
Underwater Structure Excavation Protection, Location 4	Each	-	1	1
Pipe Underdrain for Structures, 4"	Foot	-	242	242
Geocomposite Wall Drain	Sq. Yd.	-	205	205

WATERWAY INFORMATION

Drainage Area = 144 Acs. ** Low Grade Elev. 616.98 @ Sta. 479+50.00

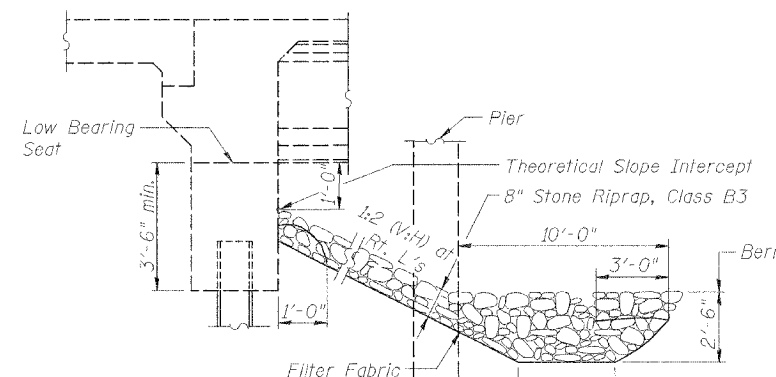
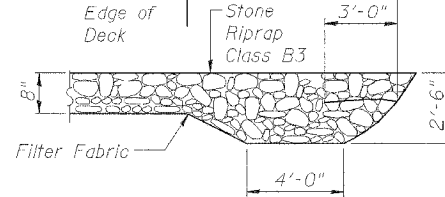
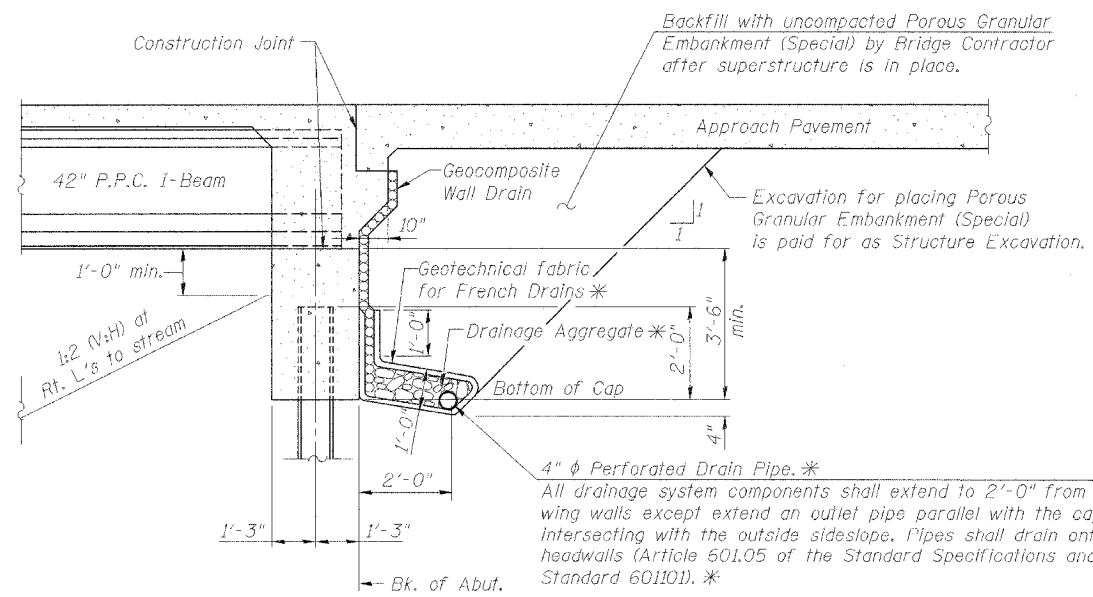
Flood	Freq. Yr.	Q C.F.S.	Opening Sq. Ft.		Nat. H.W.E.	Head - Ft.		Headwater El.	
			Exist.	Prop.		Exist.	Prop.	Exist.	Prop.
Design	50	146	41	39	612.19	-	1.44	-	613.63
Base	100	169	48	47	612.33	-	1.51	-	613.84
Overlapping	-	-	-	-	-	-	-	-	-
Max. Calc.	500	-	-	-	-	-	-	-	-

** 144 Acs. drain through bridge opening. An additional 180 acs. currently drain to reservoir retained by golf course dam. Waterway analysis was performed with dam in place. Dam overflow diverts water to another watershed area. Controlling waterway

GENERAL NOTES

- 1.) Reinforcement bars shall conform to the requirements of AASHTO M31 or M322 Grade 60.
- 2.) The embankment configuration shown shall be the minimum embankment that must be constructed prior to construction of the abutments. Embankments will be placed atop a sand drainage blanket to expedite consolidation. A four month waiting period will be required between the placement of approach embankments and the installation of abutment piling.
- 3.) Piles at abutments shall be driven through 18" ϕ holes precored through the embankment according to Article 512.10(c) of the Standard Specifications. Precored holes shall extend to elevations, thus:

	E.B.	W.B.
N. Abut.	El. 611.0	El. 612.0
S. Abut.	El. 610.0	El. 610.0
- 4.) The contractor shall drive eight steel H-pile test piles in permanent locations one (1) at each abutment and pier, restriction is at upstream face of westbound structure, as directed by the Engineer before ordering the remainder of piles, thus: HP 12 X 53 at abutments and HP 14 x 73 at piers.
- 5.) All construction joints shall be bonded.



TOTAL BILL OF MATERIAL, SLOPE PROTECTION DETAILS, & SUBSTRUCTURE LAYOUT
IL. ROUTE 336 OVER TRIBUTARY TO KILLJORDAN CREEK
F.A.P. ROUTE 315 SECT. 55-2
McDONOUGH COUNTY
STATION 494+75.00
STRUCTURE NO. 055-0060 (EB)
STRUCTURE NO. 055-0061 (WB)

STS CONSULTANTS
111 NE Jefferson Ave.
Peoria, Illinois 61602
Ph (309) 678-8464
FAX (309) 676-5445
IL Design Firm Reg. No. 184-001518