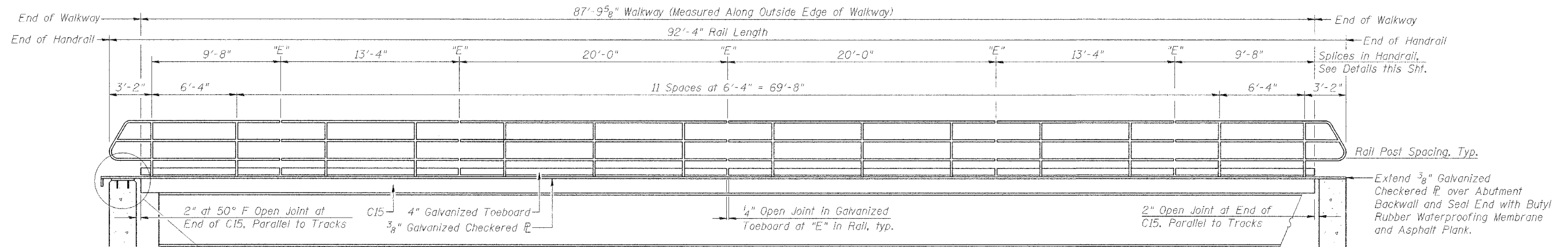


STATE OF ILLINOIS  
DEPARTMENT OF TRANSPORTATION

ROUTE NO.	SECTION	COUNTY	DATE	SHEET	SHEET NO.
F.A.P. 315	55-2	MCDONOUGH	1025	504	16 SHEETS
FED. ROAD DIST. NO. 4	ILLINOIS	FED. AID PROJECT			

Contract # 68205

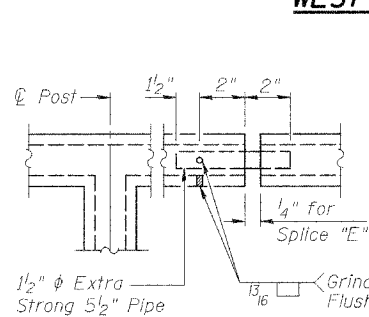


WEST ABUTMENT

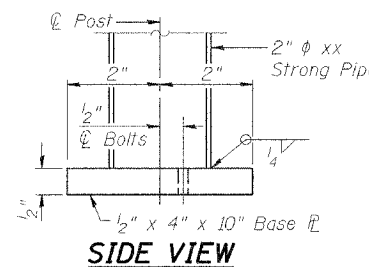
HANDRAIL ELEVATION

EAST ABUTMENT

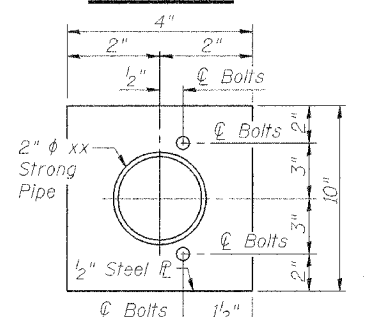
(Looking North)  
Galvanized Toeboard is included in cost of Pipe Handrail, Special.  
See also Special Provisions.



EXPANSION SPLICE  
DETAIL "E"

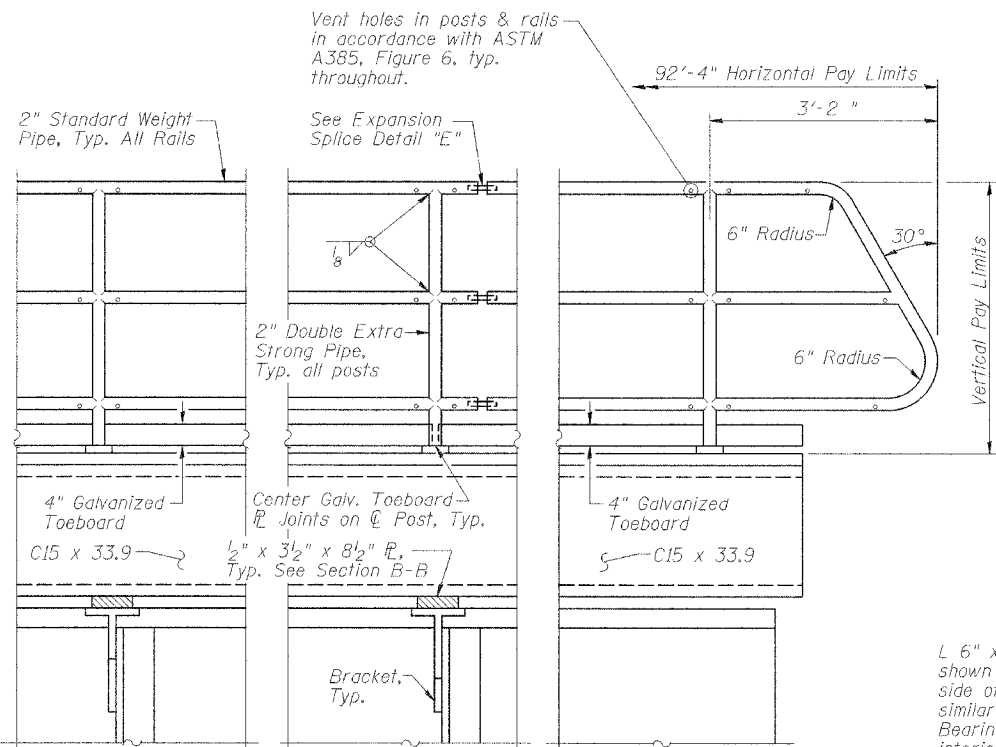
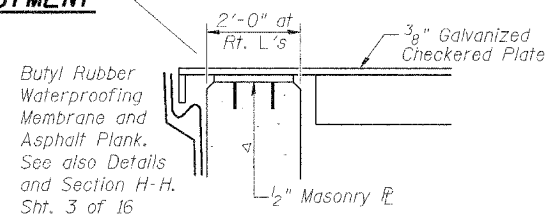


SIDE VIEW



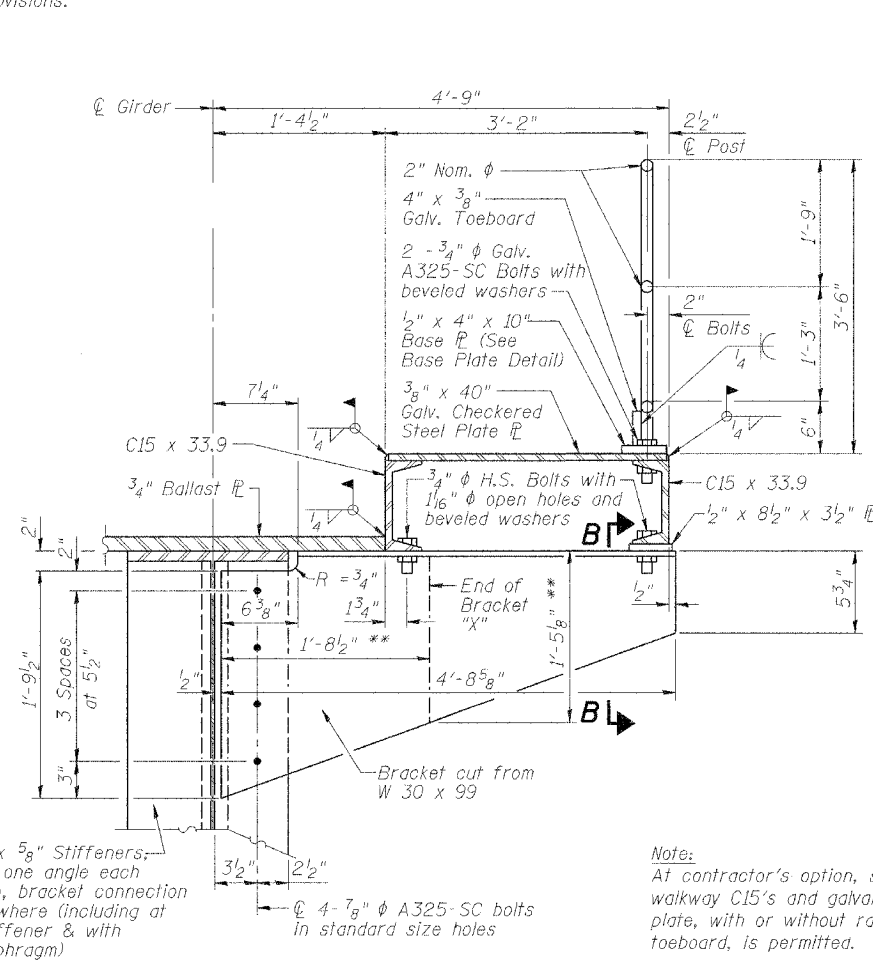
TOP VIEW

BASE PLATE DETAIL



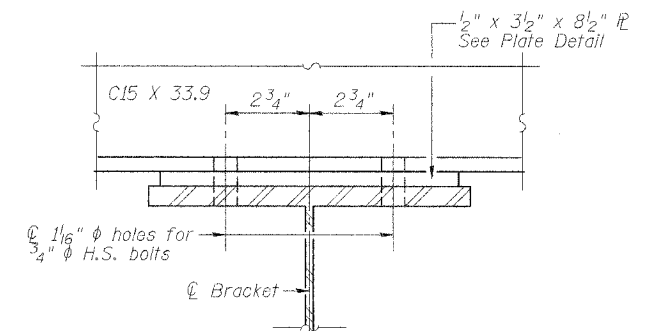
TYPICAL SECTION

END POST



WALKWAY BRACKET DETAIL

\*\* Bracket "X" Only



SECTION B-B

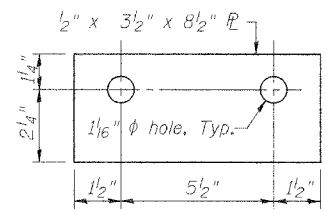


PLATE DETAIL

Note:  
At contractor's option, shop assembly of walkway C15's and galvanized checkered plate, with or without railing and galvanized toeboard, is permitted.

BILL OF MATERIAL

ITEM	UNIT	TOTAL
Pipe Handrail, Special	Foot	185

DESIGNED	PJL
CHECKED	WDL
DRAWN	MGM
CHECKED	PJL

Note:  
See special provision for "Cleaning and Painting of New Metal Structures" for cleaning and priming of damaged shop prime areas (including damage by field welding), typ. throughout. See also note 7, Sht. 5 of 16.

PEDESTRIAN RAILING  
BURLINGTON NORTHERN  
SANTA FE RAILROAD OVER  
RAMP I  
F.A.P. ROUTE 315 SECT. 55-2  
MCDONOUGH COUNTY  
STATION 21+61.48  
STRUCTURE NO. 055-9902  
B.N.S.F. LINE SEGMENT 0011  
B.N.S.F. BRIDGE NO. 206.13

**STS CONSULTANTS**  
111 NE Jefferson Ave.  
Peoria, Illinois 61602  
Ph (309) 676-8464  
FAX (309) 676-5445  
IL Design Firm Reg. No. 224-001522

3104-005-2802.dgn 17/03/2006 9:00:35 AM