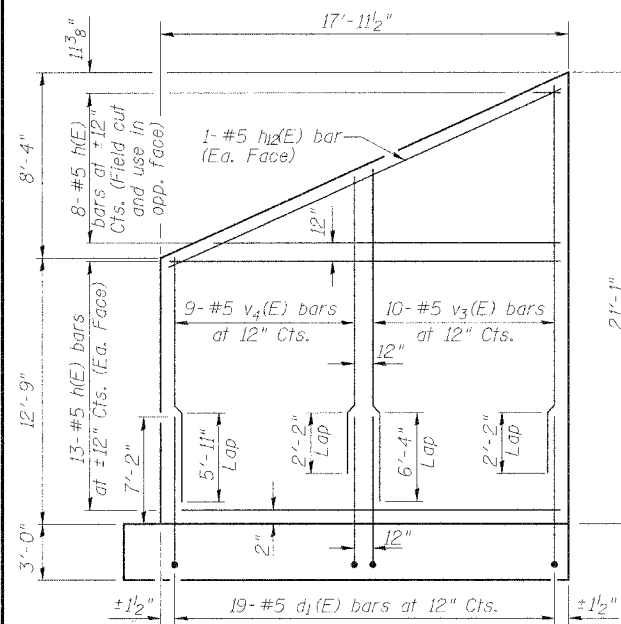


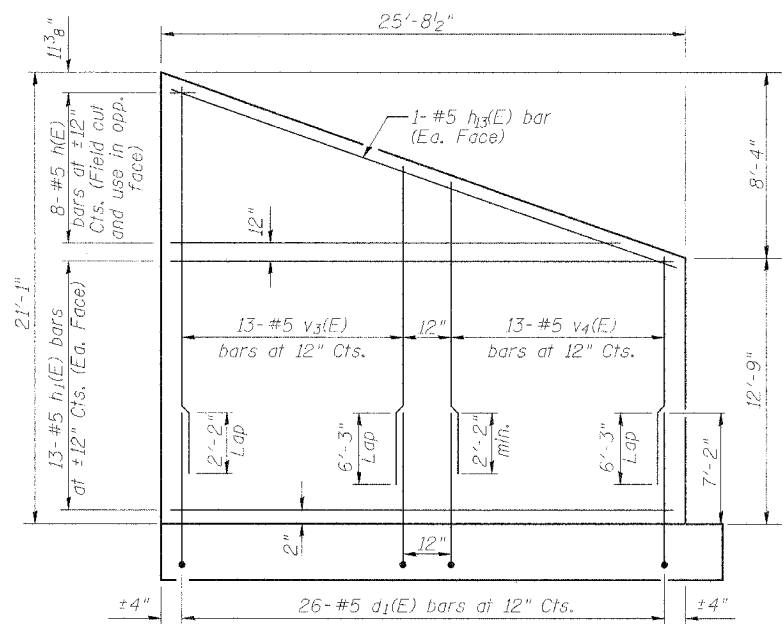
STATE OF ILLINOIS
DEPARTMENT OF TRANSPORTATION

ROUTE NO.	SECTION	COUNTY	DATE	SHEET NO.	SHEET NO.
F.A.P. 315	55-2	MCDONOUGH	1025	510	16 SHEETS
FED. ROAD DIST. NO. 4	ILLINOIS	FED. AID PROJECT			

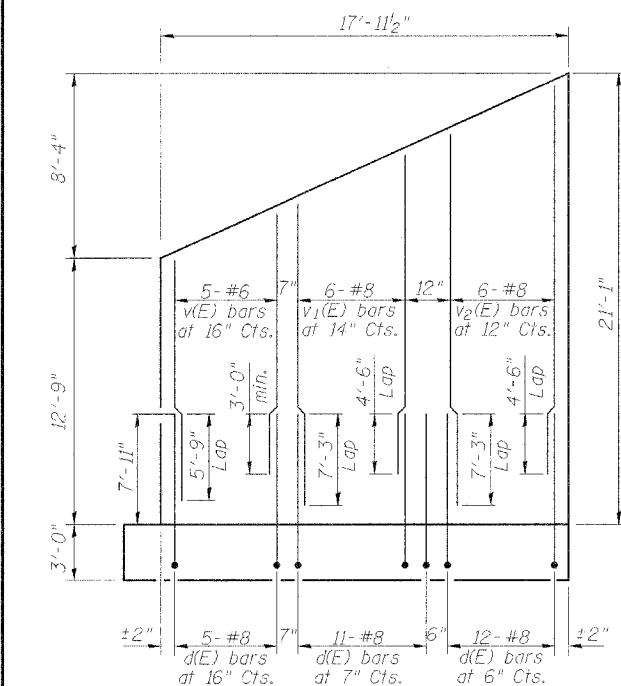
Contract # 68205



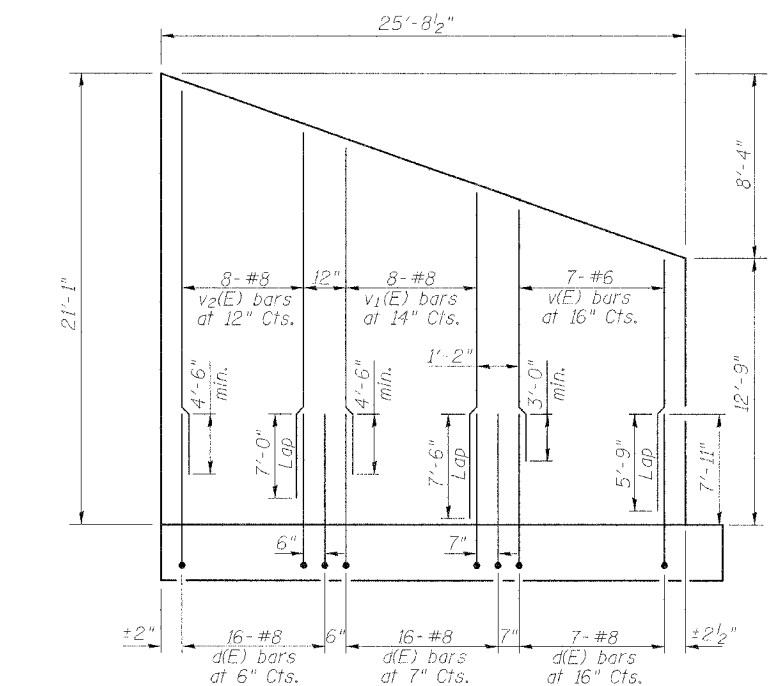
WEST ABUTMENT WING WALL (SOUTH)
(Showing Front Face Reinforcement)



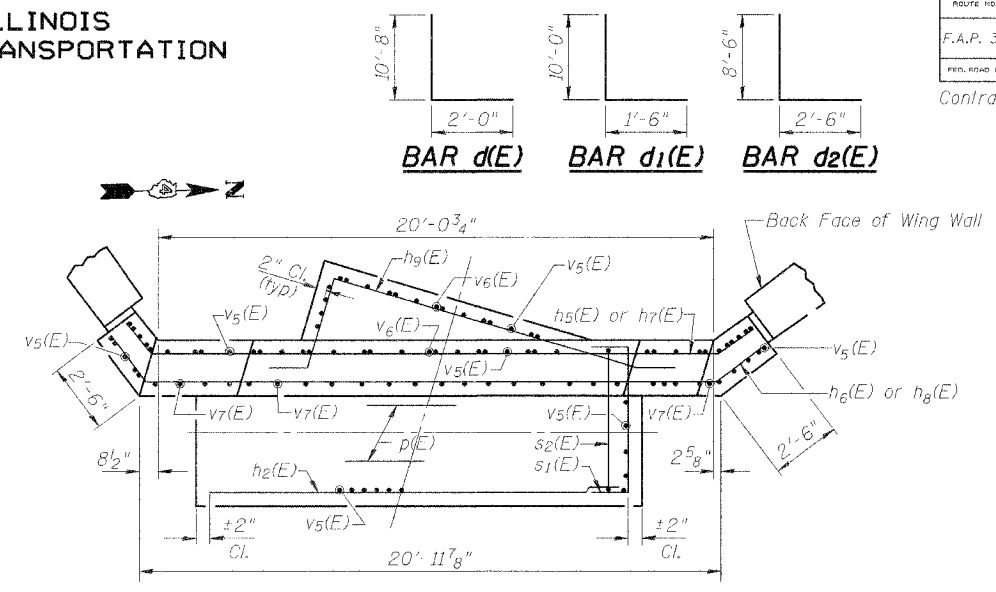
WEST ABUTMENT WING WALL (NORTH)
(Showing Front Face Reinforcement)



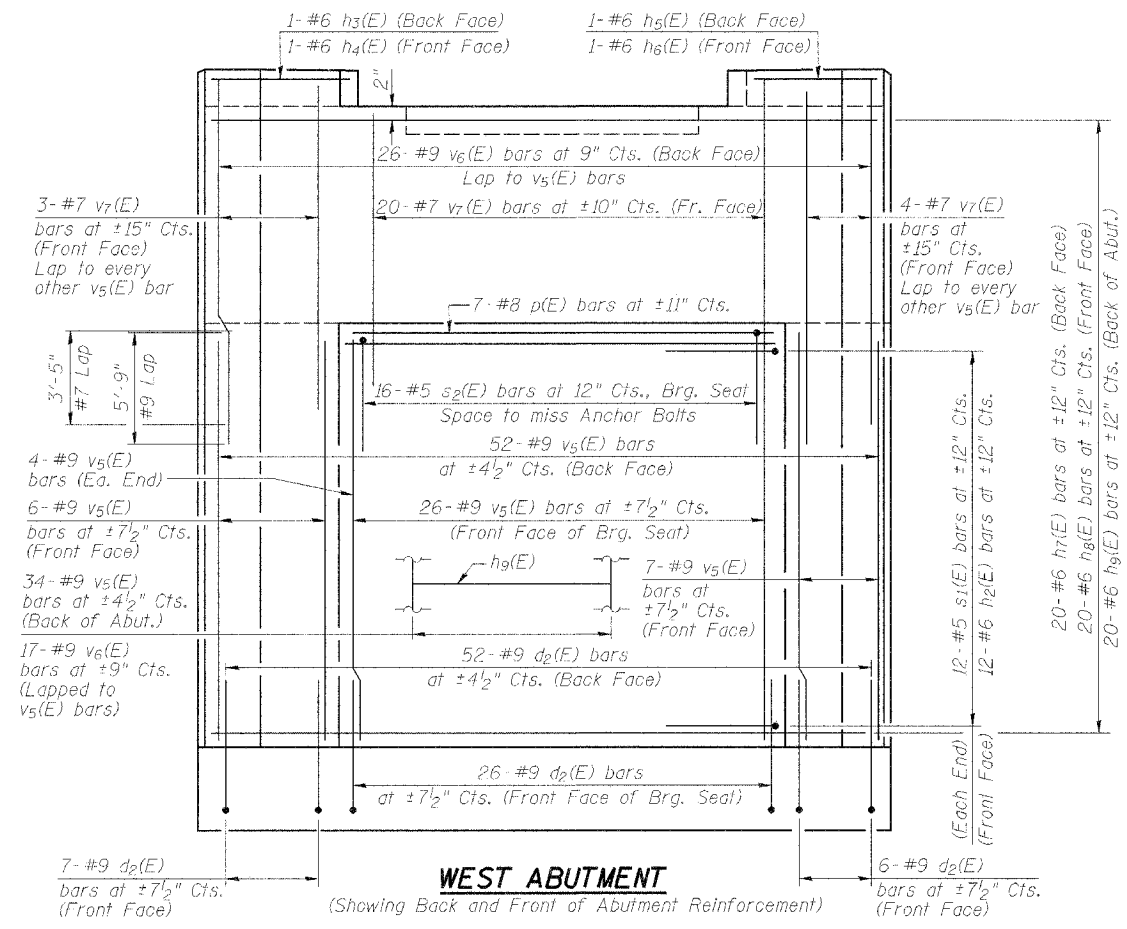
WEST ABUTMENT WING WALL (SOUTH)
(Showing Back Face Reinforcement)



WEST ABUTMENT WING WALL (NORTH)
(Showing Back Face Reinforcement)



WEST ABUTMENT
(Showing Back and Front of Abutment Reinforcement)



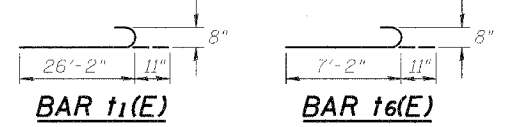
WEST ABUTMENT
(Showing Back and Front of Abutment Reinforcement)

ABUTMENT BILL OF MATERIAL

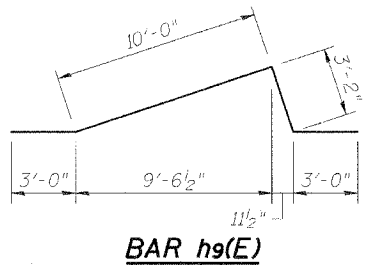
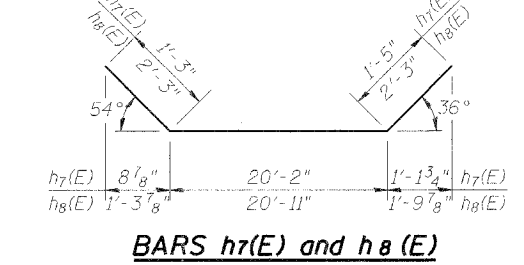
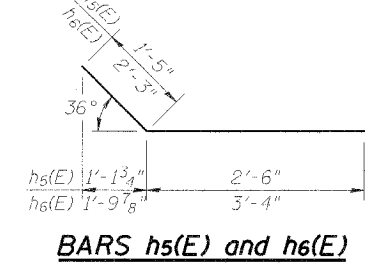
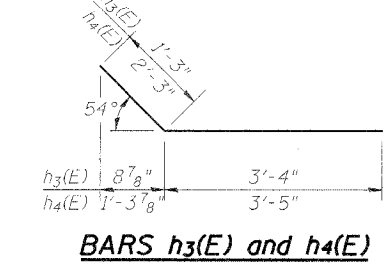
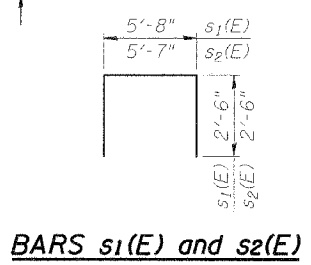
Bar	No.	Size	Length	Shape
d(E)	67	#8	12'-8"	L
d1(E)	45	#5	11'-6"	L
d2(E)	91	#9	11'-0"	L
h(E)	34	#5	17'-9"	—
h1(E)	34	#5	25'-4"	—
h2(E)	12	#6	15'-8"	—
h3(E)	1	#6	4'-7"	—
h4(E)	1	#6	5'-8"	—
h5(E)	1	#6	3'-11"	—
h6(E)	1	#6	5'-7"	—
h7(E)	20	#6	22'-10"	—
h8(E)	20	#6	25'-5"	—
h9(E)	20	#6	19'-2"	—
h10(E)	2	#5	19'-5"	—
h11(E)	2	#5	26'-8"	—
p(E)	7	#8	15'-8"	—
s1(E)	24	#5	10'-8"	—
s2(E)	16	#5	10'-7"	—
t1(E)	28	#8	27'-1"	—
t3(E)	25	#8	26'-2"	—
t5(E)	48	#8	16'-6"	—
t6(E)	11	#8	8'-1"	—
t7(E)	8	#8	24'-4"	—
t8(E)	14	#8	20'-10"	—
t9(E)	17	#8	26'-10"	—
t10(E)	10	#8	23'-10"	—
t12(E)	12	#6	10'-5"	—
v1(E)	14	#8	15'-0"	—
v2(E)	14	#8	17'-6"	—
v3(E)	23	#5	16'-0"	—
v4(E)	22	#5	11'-8"	—
v5(E)	133	#9	11'-9"	—
v6(E)	43	#9	14'-10"	—
v7(E)	27	#7	12'-7"	—
w1(E)	61	#8	24'-2"	—
w2(E)	8	#8	39'-0"	—
w3(E)	4	#8	16'-0"	—
w4(E)	8	#8	59'-0"	—
w5(E)	8	#8	34'-0"	—
Concrete Structures		Cu. Yd.	234.1	
Reinforcement Bars, Epoxy Coated		Pound	37,340	
Structure Excavation		Cu. Yd.	1,252	
Furnishing Steel Piles HP 14 x 73		Foot	2,679	
Driving Steel Piles		Foot	2,679	
Test Piles HP 14 x 73		Each	1	
Metal Shoes		Each	47	

Reinforcement bars designated (E) shall be epoxy coated

WEST ABUTMENT AND WING WALL REINFORCEMENT BURLINGTON NORTHERN SANTA FE RAILROAD OVER RAMP I
F.A.P. ROUTE 315 SECT. 55-2
MCDONOUGH COUNTY
STATION 21+61.48
STRUCTURE NO. 055-9902
B.N.S.F. LINE SEGMENT 0011
B.N.S.F. BRIDGE NO. 206.13



DESIGNED	P.J.L
CHECKED	WDL
DRAWN	MGM
CHECKED	P.J.L



STS CONSULTANTS
111 NE Jefferson Ave.
Peoria, Illinois 61602
Ph (309) 678-8464
FAX (309) 678-5445
IL Design Firm Reg. No. 224-001522