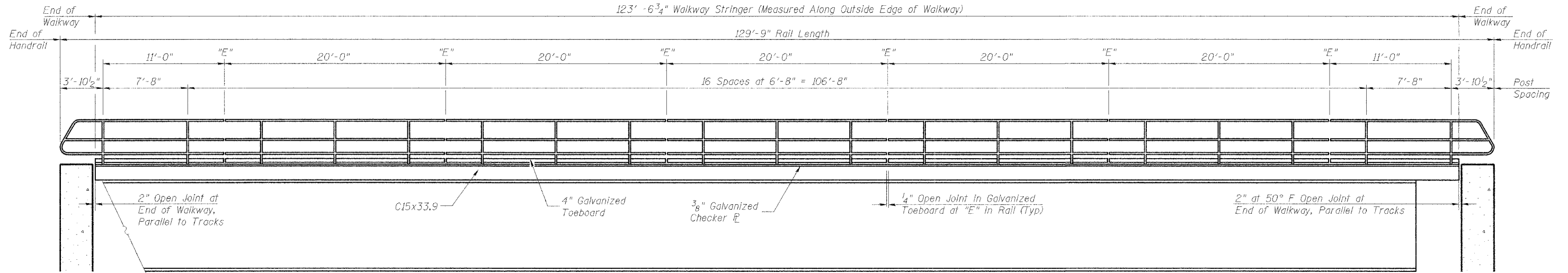


STATE OF ILLINOIS
DEPARTMENT OF TRANSPORTATION

ROUTE NO. FAP 315	SECTION 55-2	COUNTY McDONOUGH	TOTAL SHEETS 1025	SHEET NO. 539	SHEET NO. 4 16 SHEETS
FED. ROAD DIST. NO. 7		ILLINOIS		FED. AID PROJECT-	

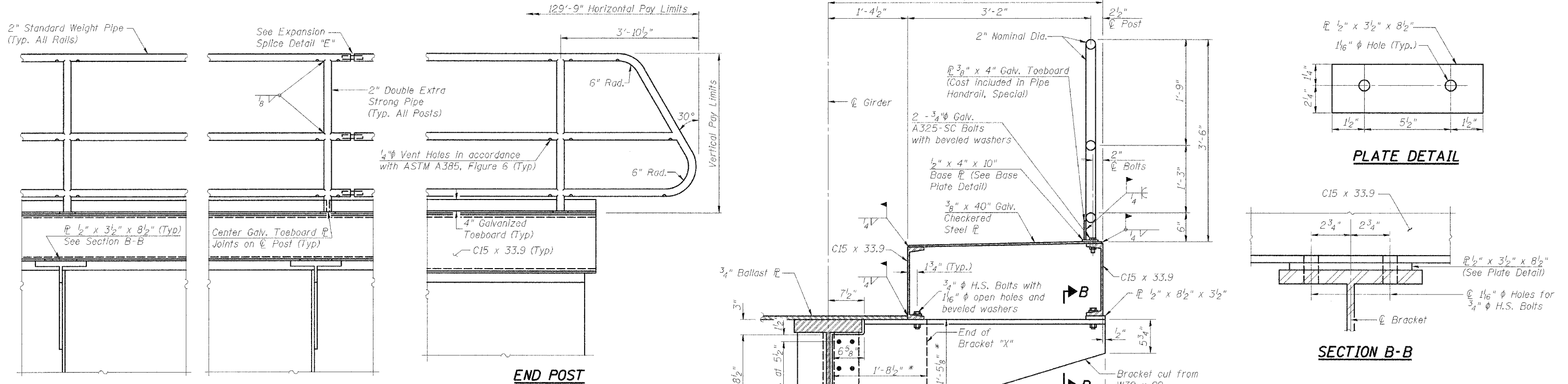
Contract #68205



WEST ABUTMENT

HANDRAIL ELEVATION
(Looking North)

EAST ABUTMENT



TYPICAL SECTION

END POST

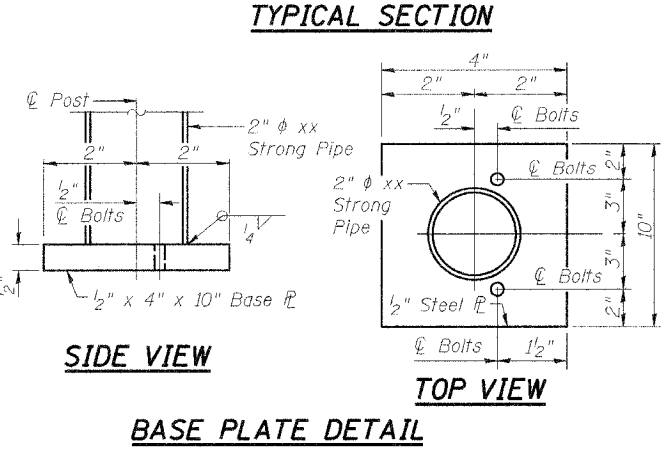
WALKWAY BRACKET DETAIL

PLATE DETAIL

SECTION B-B

BILL OF MATERIAL

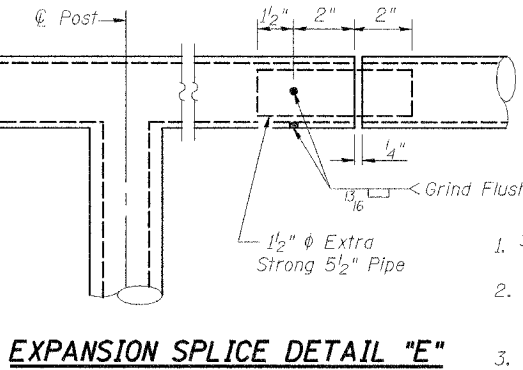
Item	Unit	Total
Pipe Handrail, Special	Foot	259.5



SIDE VIEW

TOP VIEW

BASE PLATE DETAIL



EXPANSION SPLICE DETAIL "E"

NOTES:

- 3/8" Galvanized Checkered Plate Walkways shall conform to ASTM A786 Pattern No. 1, 2, 3, 4 or 5 using AASHTO M270 Grade 36 steel.
- Checkered Plate Walkways and Pipe Handrail shall be galvanized in accordance with ASTM A123. Damage to galvanizing shall be repaired in accordance with ASTM A780, Method A2.
- See Special Provision "Cleaning and Painting of New Metal Structures" for cleaning and painting of damaged shop prime areas (including damage by field welding), typical throughout.

LIN ENGINEERING, LTD.
200 W. Chestnut
3071 632-4925
Channah, Illinois 62629
Fax: 632-492-4706
Designed By: DLS
Checked By: MTH
Drawn By: JML
Date: 01/06
File: 0559003.DGN

REVISIONS	
NAME	DATE

ILLINOIS DEPARTMENT OF TRANSPORTATION
PEDESTRIAN RAILING
BURLINGTON NORTHERN
SANTA FE RAILROAD OVER RAMP J
F.A.P. ROUTE 315 SECT. 55-2
McDONOUGH COUNTY
STATION 162+14.00
STRUCTURE NO. 055-9903
B.N.S.F. LINE SEGMENT 0011
B.N.S.F. BRIDGE NO. 206.00

Revised 4-14-06