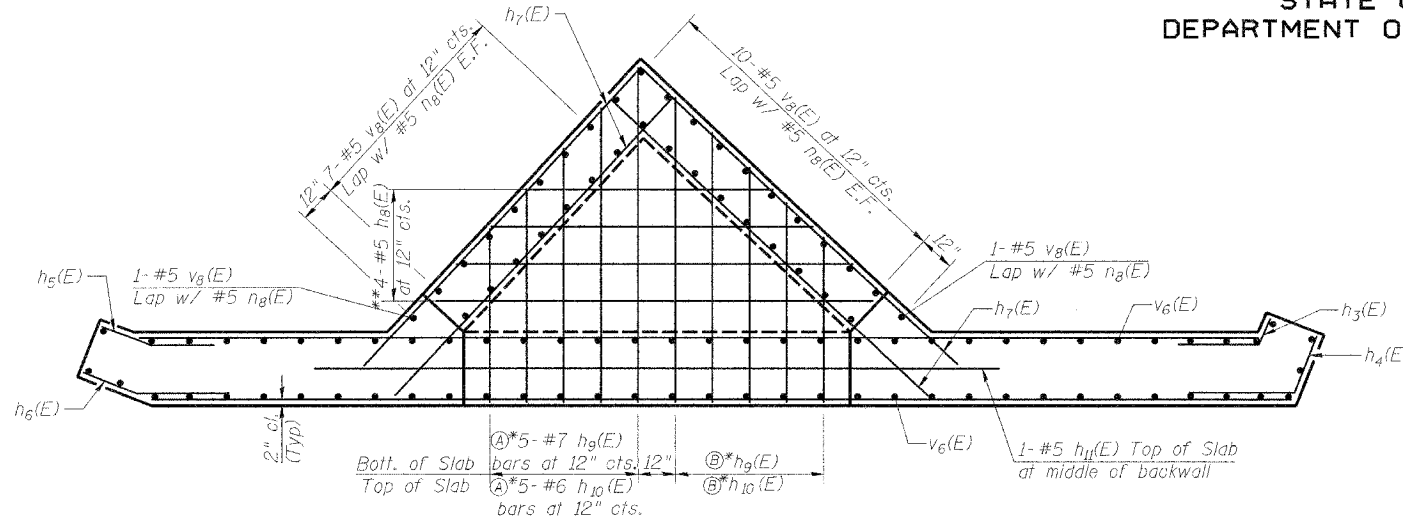


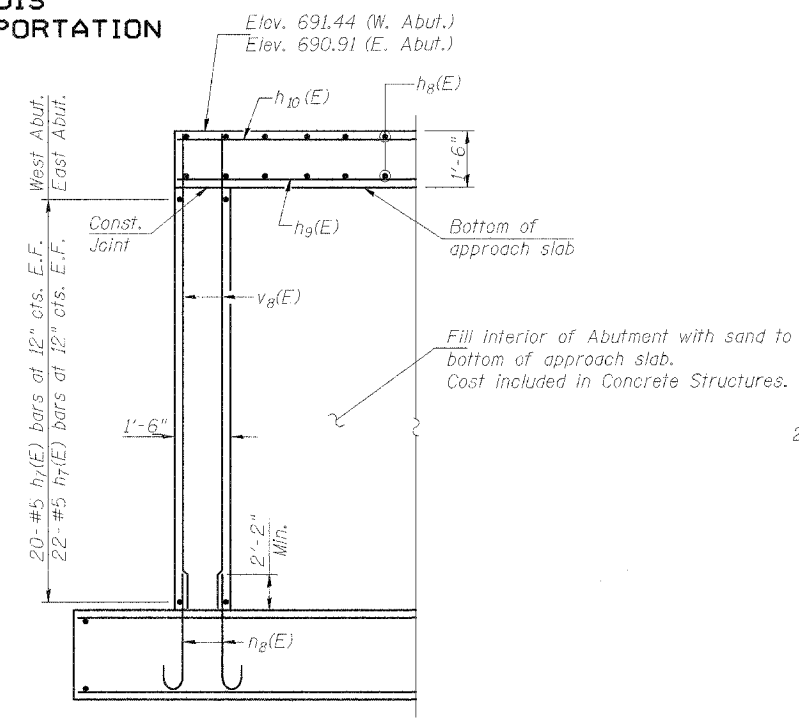
STATE OF ILLINOIS
DEPARTMENT OF TRANSPORTATION

ROUTE NO. FAP 315	SECTION 55-2	COUNTY McDONOUGH	DATE 10/25	SHEET 548	SHEET NO. 13 16 SHEETS
FED. ROAD DIST. NO. 7		ILLINOIS		FED. AID PROJECT	

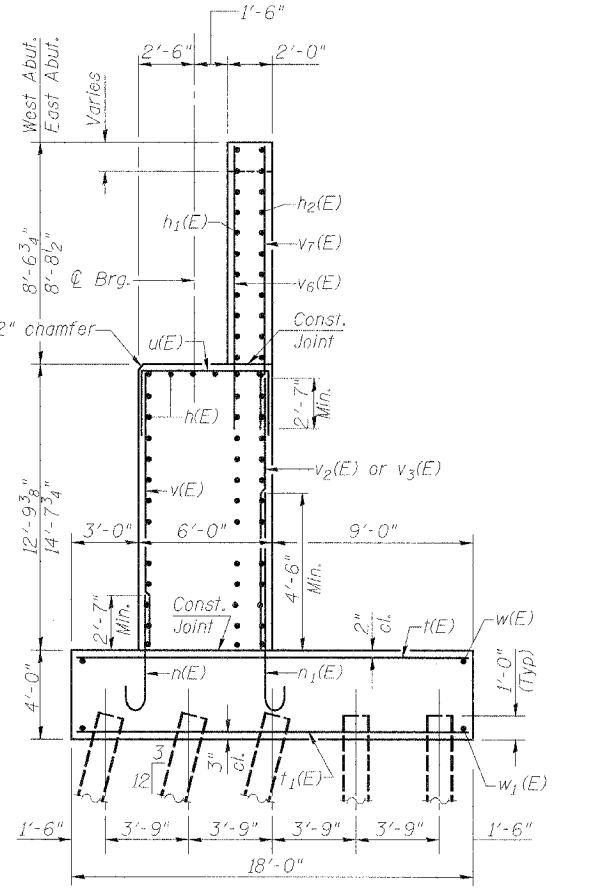
Contract #68205



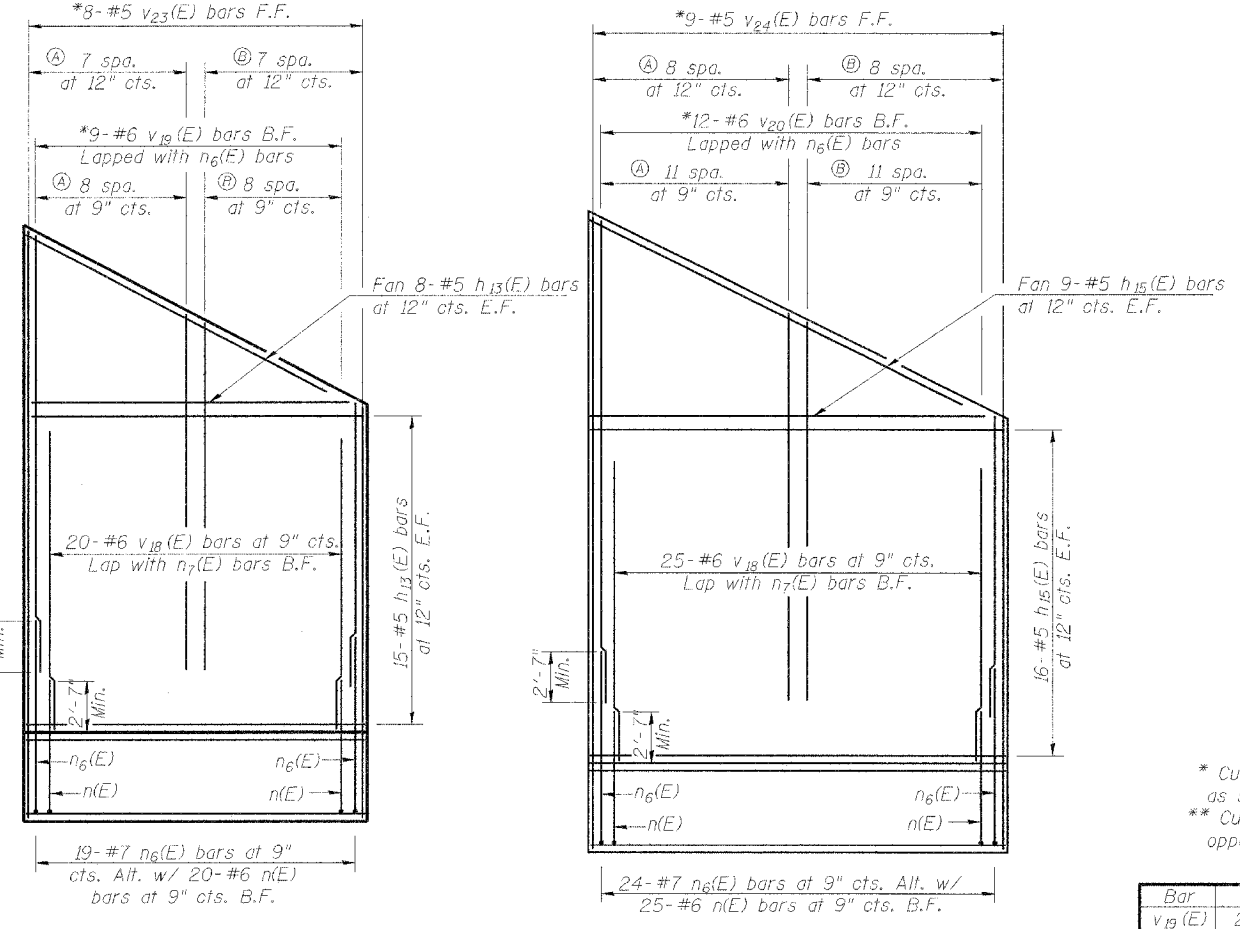
SECTION A-A



SECTION D-D

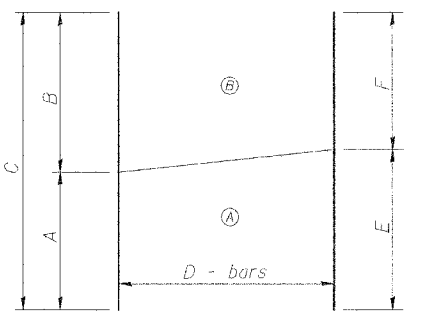


SECTION B-B



NORTHWEST WINGWALL

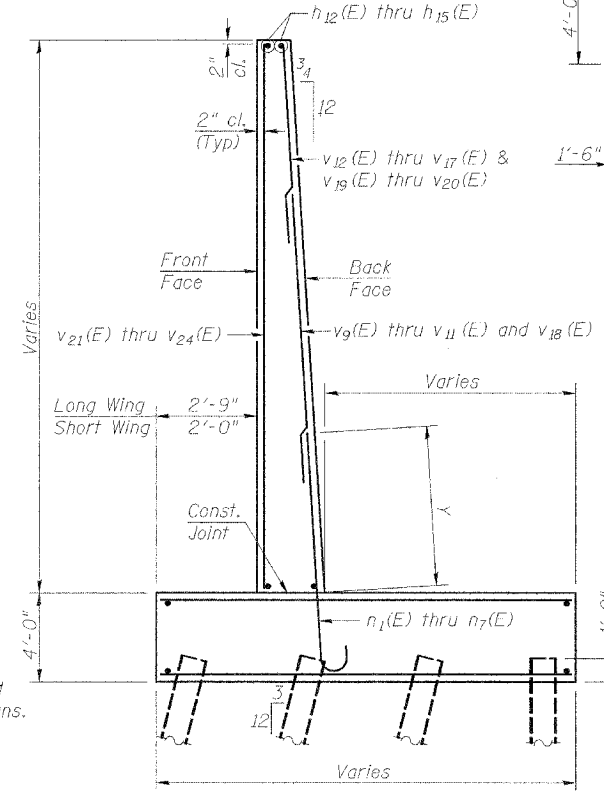
SOUTHEAST WINGWALL



FIELD CUTTING DIAGRAM

* Cut $v_{19}(E)$, $v_{20}(E)$, $v_{23}(E)$, $v_{24}(E)$, $h_9(E)$ and $h_{10}(E)$ bars in field as shown. Place patterns (A) and (B) side by side as shown on plans.
** Cut $h_8(E)$ bars in field as shown and use remainder in opposite face.

Bar	A	B	C	D	E	F
$v_{19}(E)$	21'-6"	14'-11"	36'-5"	9	18'-5"	18'-0"
$v_{20}(E)$	23'-7"	15'-1"	38'-8"	12	19'-6"	19'-2"
$v_{23}(E)$	22'-5"	14'-7"	37'-0"	8	18'-9"	18'-3"
$v_{24}(E)$	24'-0"	15'-8"	39'-8"	9	20'-1"	19'-7"
$h_8(E)$	6'-7"	11'-9"	18'-4"	4	11'-9"	6'-7"
$h_9(E)$	4'-9"	8'-3"	13'-0"	5	8'-8"	4'-4"
$h_{10}(E)$	4'-9"	8'-3"	13'-0"	5	8'-8"	4'-4"



SECTION C-C

Y DIMENSION

$n(E)$	2'-7"
$n_1(E)$	7'-3"
$n_2(E)$	5'-9"
$n_3(E)$	4'-6"
$n_4(E)$	4'-6"
$n_5(E)$	6'-9"
$n_6(E)$	3'-2"

Note:
See Sheet 14 of 16 for drainage details,
Bill of Material, and reinforcement details.

LIN ENGINEERING, LTD.
210 W. Chestnut
Chatham, Illinois 62629
FAX: 618-463-4166
Designed By: DLS
Checked By: MTH
Drawn By: JML
Date: 01/06
File: 0559903.DGN

REVISIONS	
NAME	DATE

ILLINOIS DEPARTMENT OF TRANSPORTATION
ABUTMENT DETAILS
BURLINGTON NORTHERN
SANTA FE RAILROAD OVER RAMP J
F.A.P. ROUTE 315 SECT. 55-2
McDONOUGH COUNTY
STATION 162+14.00
STRUCTURE NO. 055-9903
B.N.S.F. LINE SEGMENT 0011
B.N.S.F. BRIDGE NO. 206.00

DATE TIME FILE/ABBREV#

2/20/2006 11:36:03 AM