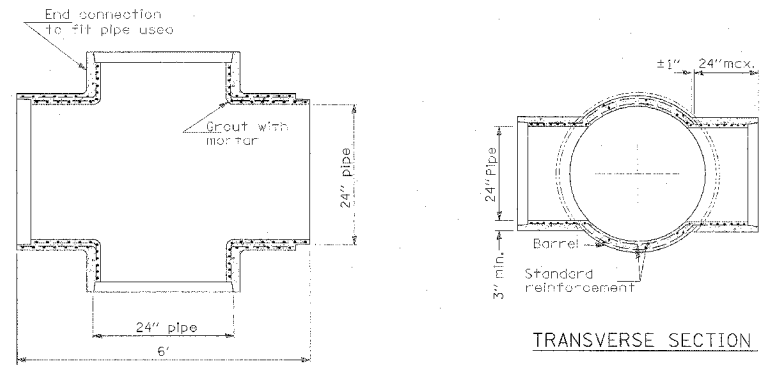


F.A.P. RTE.	SECTION	COUNTY	TOTAL SHEETS	SHEET NO.
315	315-321	McDONOUGH	1025	581
STA.		TO STA.		
FED. ROAD DIST. NO. 4 ILLINOIS FED. AID PROJECT				

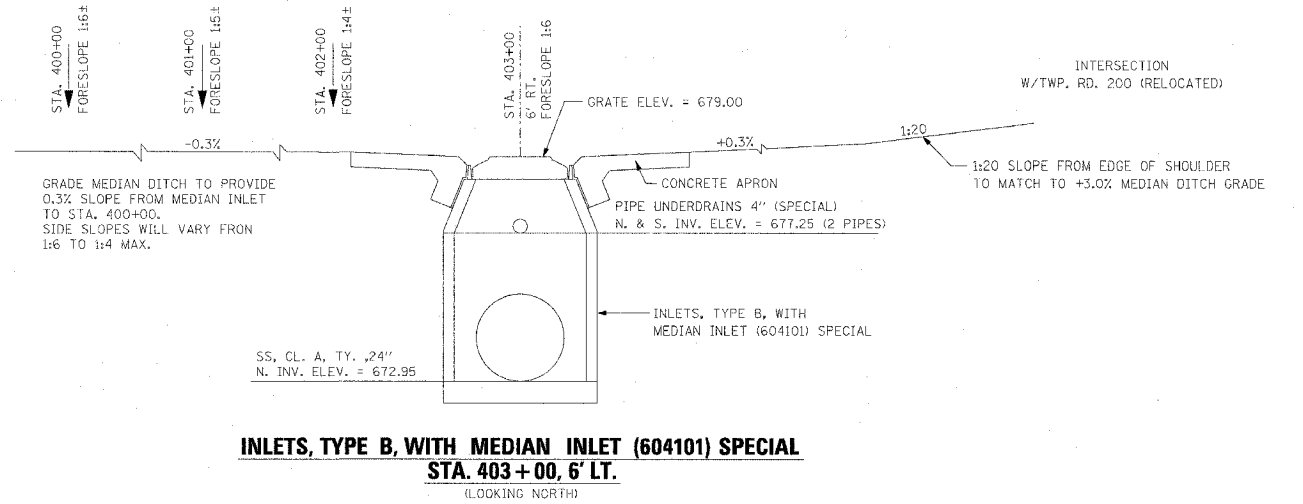


PLAN VIEW

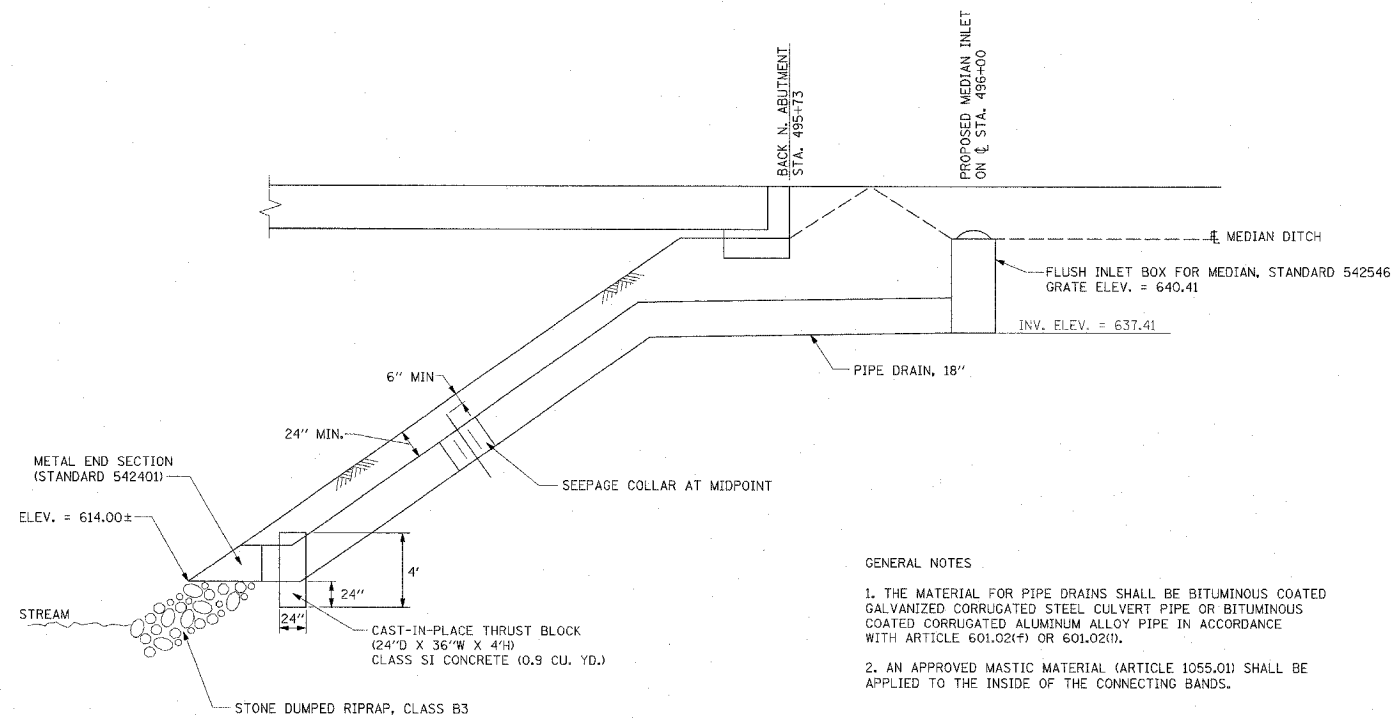
Weld $\frac{3}{4}$ " min. for wire 0000 thru 1 ga.
Weld $\frac{3}{8}$ " min. for wire 2 thru 7 ga.
(Other wires shall be tied per standard.)

REINFORCEMENT AND DIMENSIONS SHALL BE AS SHOWN ON HIGHWAY STANDARD 542606

REINFORCED CONCRETE PIPE TEE, SPECIAL
IL. ROUTE 336 STA. 368+00



INLETS, TYPE B, WITH MEDIAN INLET (604101) SPECIAL
STA. 403+00, 6' LT.
(LOOKING NORTH)



GENERAL NOTES

1. THE MATERIAL FOR PIPE DRAINS SHALL BE BITUMINOUS COATED GALVANIZED CORRUGATED STEEL CULVERT PIPE OR BITUMINOUS COATED CORRUGATED ALUMINUM ALLOY PIPE IN ACCORDANCE WITH ARTICLE 601.02(F) OR 601.02(I).
2. AN APPROVED MASTIC MATERIAL (ARTICLE 1055.01) SHALL BE APPLIED TO THE INSIDE OF THE CONNECTING BANDS.

MEDIAN INLET DETAIL - STA. 496+00

NTS

REVISIONS	
NAME	DATE

ILLINOIS DEPARTMENT OF TRANSPORTATION

MEDIAN INLET DETAILS
IL. ROUTE 336

DATE 3/30/06

DRAWN BY DLG
CHECKED BY