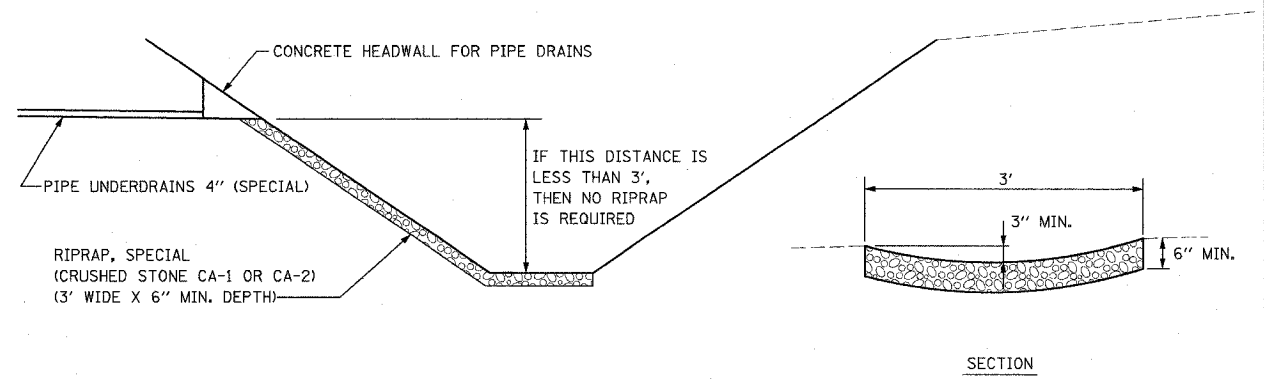
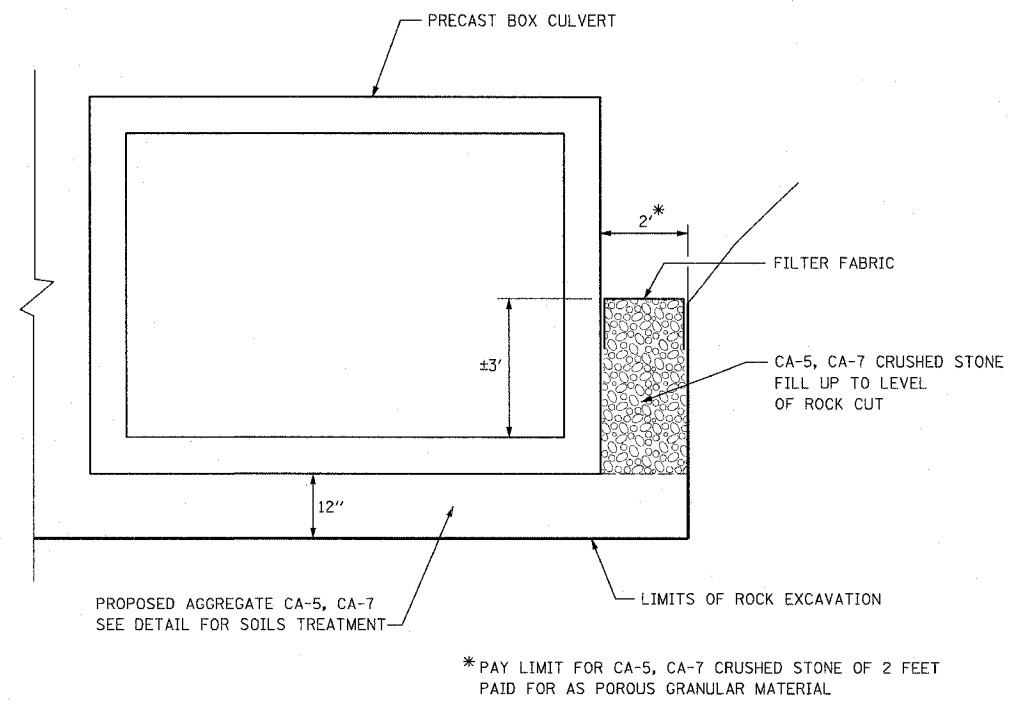


F.A.P. RTE.	SECTION	COUNTY	TOTAL SHEETS	SHEET NO.
315	55-2	MCDONOUGH	1025	582
STA.		TO STA.		
FED. ROAD DIST. NO. 4		ILLINOIS FED. AID PROJECT		



PIPE UNDERDRAIN OUTLET DETAIL
NOT TO SCALE



DRAINAGE TREATMENT - BOX CULVERT STA. 253 + 39.23
NOT TO SCALE

- NOTES:
- ROCK EXCAVATION ON BACKSIDE OF PROPOSED BOX CULVERT IS TO BE BACKFILLED WITH CRUSHED STONE CA-5, OR CA-7 TO THE HEIGHT OF THE ROCK CUT FOR THE LENGTH OF THE CULVERT. SEE DETAIL FOR SOILS TREATMENT.
 - FILTER FABRIC TO BE PLACED ON TOP OF AND MINIMUM OF ONE FOOT ALONG FACE OF CULVERT AND ROCK CUT. FILTER FABRIC TO BE PAID FOR SEPARATELY.

REVISIONS	
NAME	DATE

ILLINOIS DEPARTMENT OF TRANSPORTATION
**PIPE UNDERDRAIN OUTLET DETAIL AND
DRAINAGE TREATMENT - BOX CULVERT
STA. 253 + 39.23
IL. ROUTE 336**
DRAWN BY
CHECKED BY
DATE 3/30/06

1/2\"/>