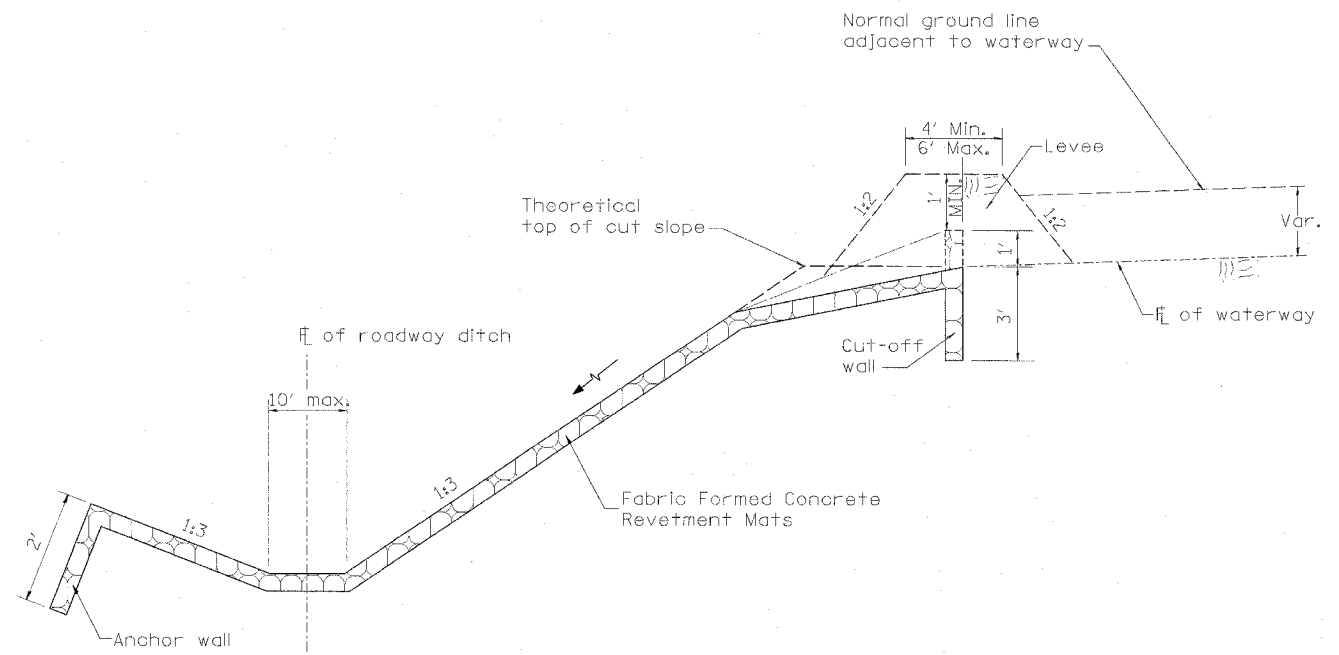
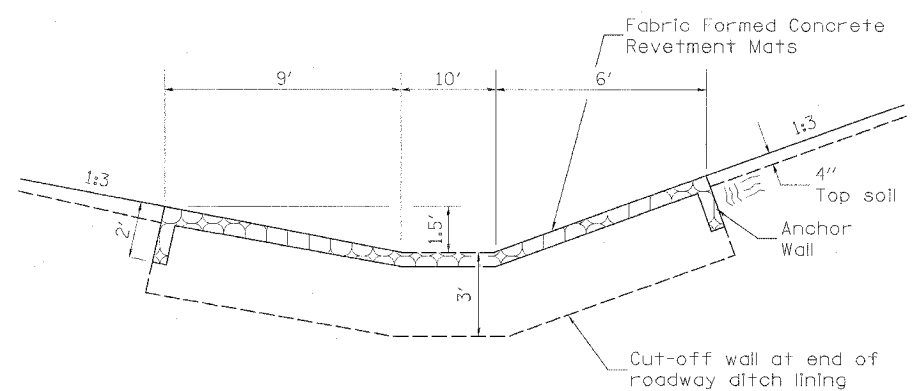


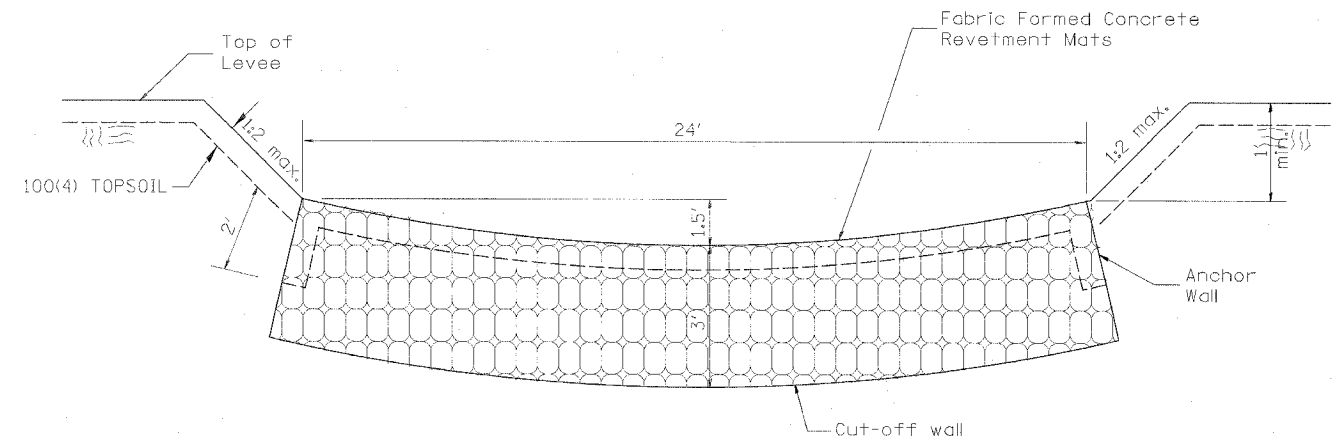
F.A.P. RTE.	SECTION	COUNTY	TOTAL SHEETS	SHEET NO.
315	55-2	McDONOUGH	1025	585
STA.		TO STA.		
FED. ROAD DIST. NO. 4 ILLINOIS FED. AID PROJECT				



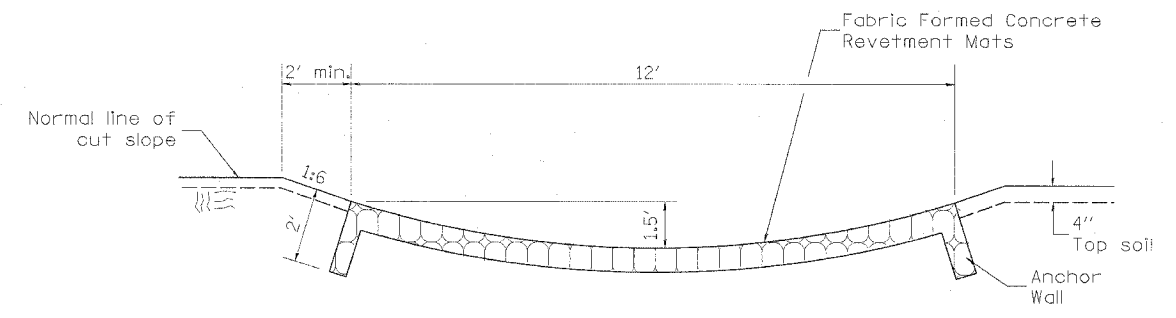
SECTION A-A



SECTION B-B



SECTION C-C



SECTION D-D

All slope ratios are expressed as units of vertical displacement to units of horizontal displacement (V:H).

REVISIONS	
NAME	DATE

ILLINOIS DEPARTMENT OF TRANSPORTATION  
**FABRIC FORMED CONCRETE  
 REVETMENT MAT**  
**LT. STA. 327 + 46.5**  
 2 of 2  
 DRAWN BY  
 CHECKED BY  
 DATE 3/30/06