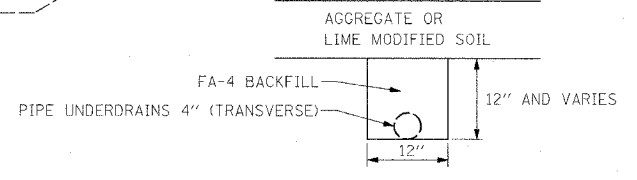


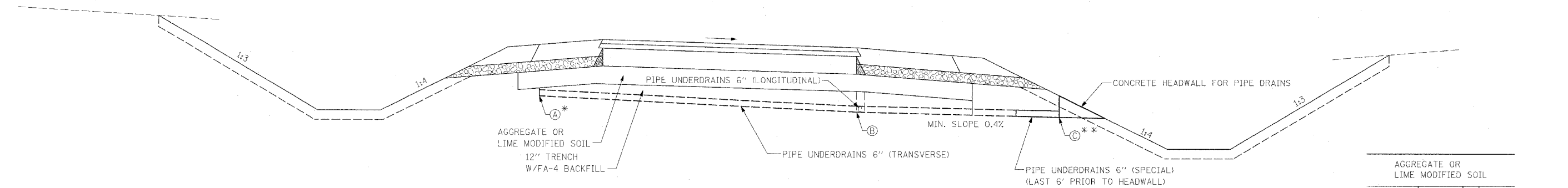
**DETAIL - RAMP I PIPE UNDERDRAINS 4" (TRANSVERSE)**

\* (A) = UPSTREAM END OF PIPE UNDERDRAIN 4" (TRANSVERSE)  
 \*\* (C) = OUTLET AND HEADWALL FOR PIPE UNDERDRAIN 4" (TRANSVERSE)



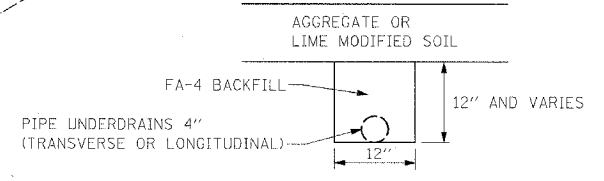
RAMP I PIPE UNDERDRAINS 4" (TRANSVERSE)									
STATION	A	ELEVATION	B	ELEVATION	C	ELEVATION	PIPE UNDERDRAINS 4"	PIPE UNDERDRAINS 4" (SPECIAL)	CONCRETE HEADWALL FOR PIPE DRAINS
20+50	20' LT.	665.31	B	665.41	20' RT.	665.31	34'	6'	1 EACH
23+00	20' LT.	661.71	B	661.51	18' RT.	661.41	32'	6'	1 EACH
25+00	20' LT.	661.20	B	660.26	17' RT.	660.16	31'	6'	1 EACH
27+10	20' LT.	660.10	B	658.98	17' RT.	658.88	31'	6'	* 1 EACH
28+50	20' LT.	659.70	B	658.44	18' RT.	658.34	32'	6'	1 EACH
30+50	20' LT.	660.52	B	659.42	18' RT.	659.32	32'	6'	1 EACH
32+50	49' LT.	661.39	B	660.71	19' RT.	660.61	62'	6'	1 EACH
34+00	46' LT.	661.90	B	661.62	24' RT.	661.50	64'	6'	1 EACH
TOTALS							318'	48'	8 EACH

\* SHARED WITH OUTLET FOR PIPE UNDERDRAINS 4" (LONGITUDINAL)



**DETAIL - RAMP I PIPE UNDERDRAINS 6" (TRANSVERSE AND LONGITUDINAL)**

\* (A) = UPSTREAM END OF PIPE UNDERDRAIN 6" (TRANSVERSE)  
 \*\* (C) = OUTLET AND HEADWALL FOR PIPE UNDERDRAIN 6" (TRANSVERSE)



RAMP I PIPE UNDERDRAINS 6" (LONGITUDINAL)	
STA. 11+00 TO LT. STA. 18+50	750'
TOTAL	750'

RAMP I PIPE UNDERDRAINS 6" (TRANSVERSE)									
STATION	A	ELEVATION	B	ELEVATION	C	ELEVATION	PIPE UNDERDRAINS 6"	PIPE UNDERDRAINS 6" (SPECIAL)	CONCRETE HEADWALL FOR PIPE DRAINS
12+50	20' LT.	683.79	B	683.69	-	-	20'	-	-
14+50	20' LT.	679.10	B	678.91	-	-	20'	-	-
16+50	20' LT.	673.93	B	673.73	-	-	20'	-	-
18+50	20' LT.	668.93	B	668.73	23' RT.	668.50	35'	6'	1 EACH
TOTALS							97'	6'	1 EACH

REVISIONS	
NAME	DATE

ILLINOIS DEPARTMENT OF TRANSPORTATION  
**TRANSVERSE DRAIN DETAIL**  
**RAMP I**  
**IL. ROUTE 336**  
 DATE 3/30/06  
 DRAWN BY  
 CHECKED BY