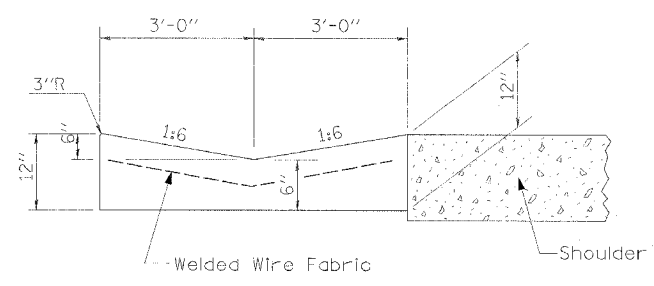
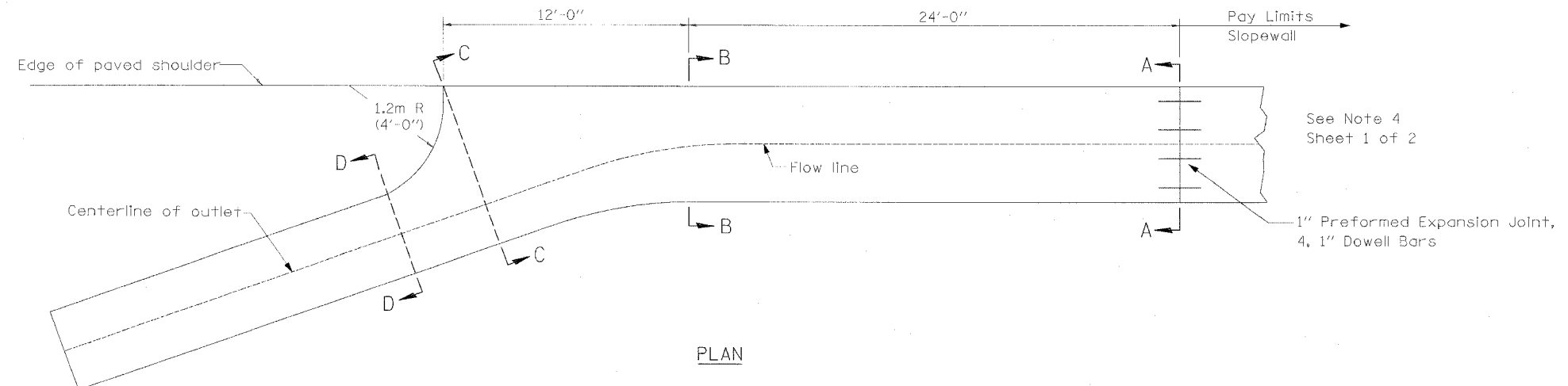
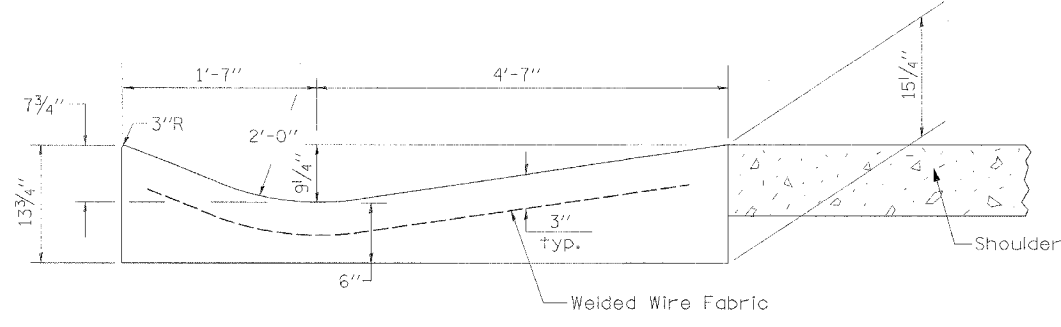


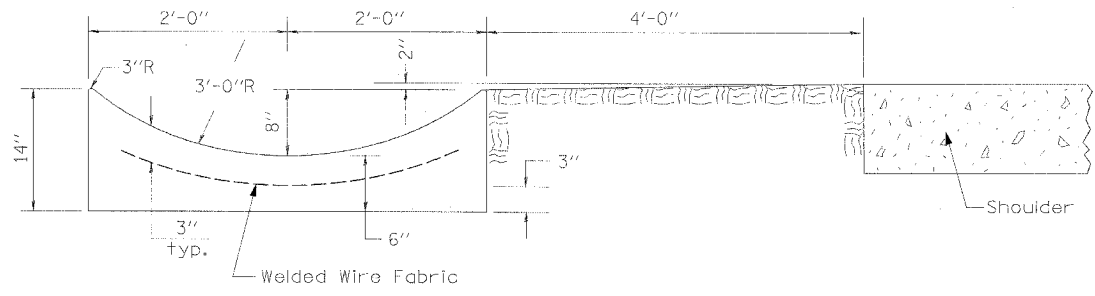
F.A.P. RTE.	SECTION	COUNTY	TOTAL SHEET SHEETS	NO.
315	55-2	McDONOUGH	1025	605
STA.		TO STA.		
FED. ROAD DIST. NO. 4 ILLINOIS		FED. AID PROJECT		



SECTION A-A AND B-B



SECTION C-C



SECTION D-D

OUTLET

CONCRETE GUTTER SPECIAL

REVISIONS	
NAME	DATE

ILLINOIS DEPARTMENT OF TRANSPORTATION
CONCRETE GUTTER SPECIAL
IL. ROUTE 336
SHEET 2 OF 2
 DATE 3/30/06
 DRAWN BY
 CHECKED BY