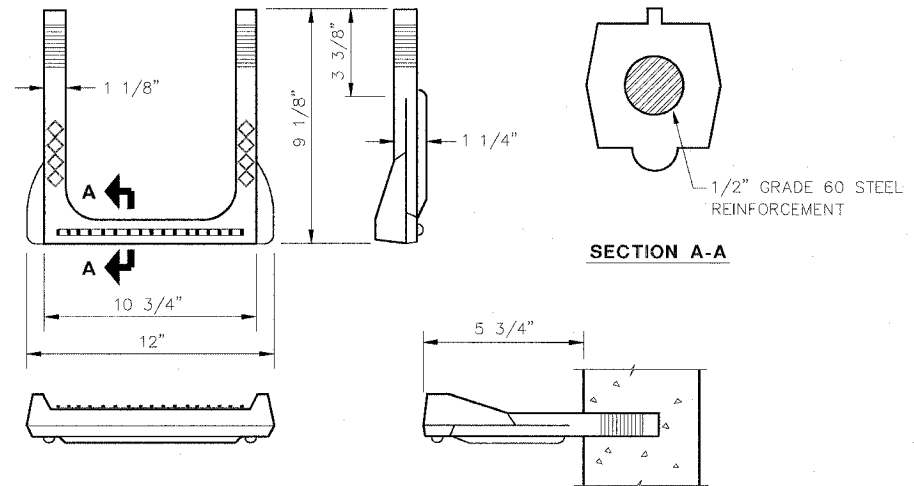
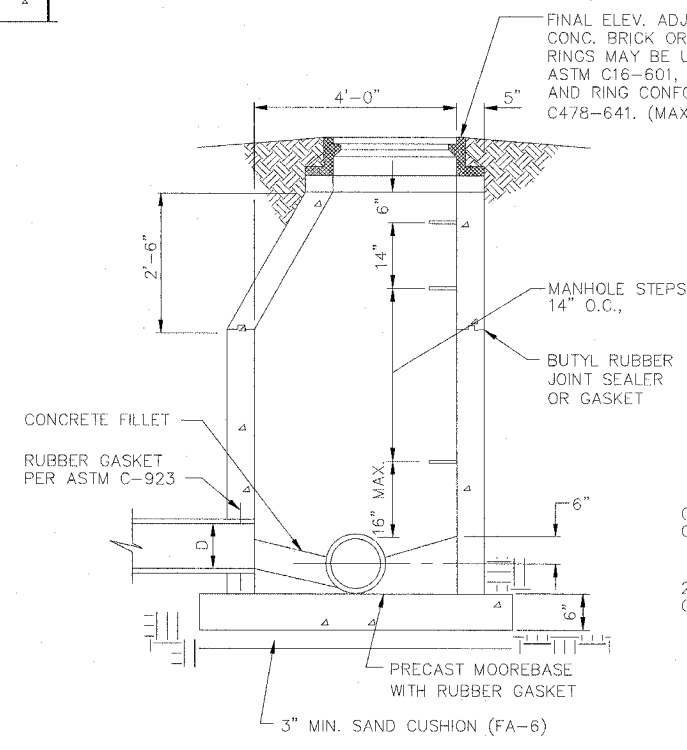


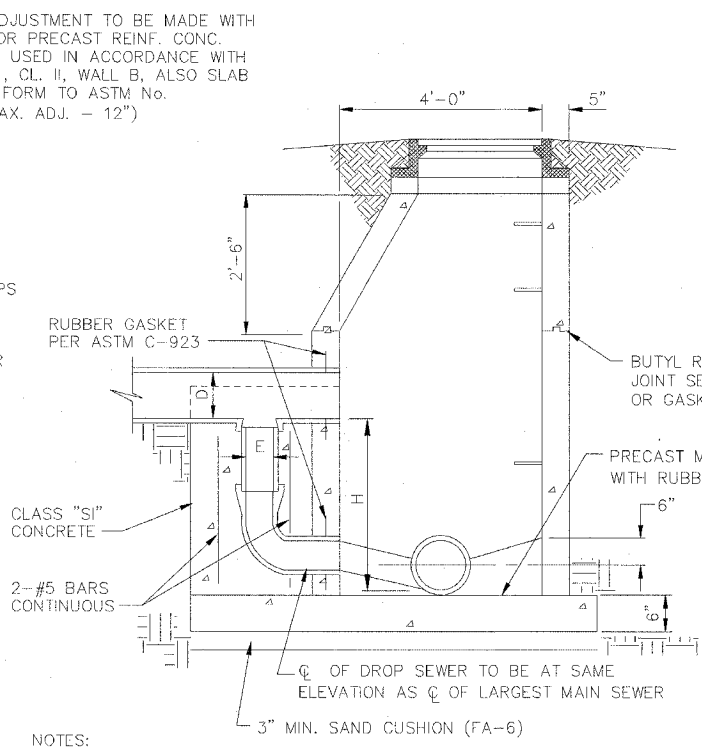
F.A.P. RTE.	SECTION	COUNTY	TOTAL SHEETS	SHEET NO.
315	55-2	McDONOUGH	1025	606
STA.		TO STA.		
FED. ROAD DIST. NO. 4		ILLINOIS	FED. AID PROJECT	



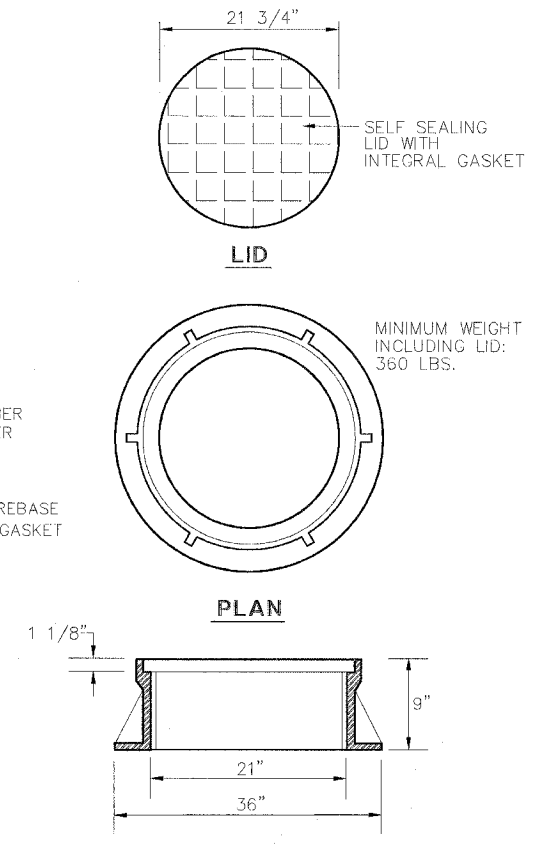
**MANHOLE STEPS**  
**COPOLYMER POLYPROPYLENE PLASTIC**  
 SCALE: N.T.S.



**SANITARY MANHOLE DETAIL**  
 SCALE: N.T.S.  
 PER ASTM C 478



**DROP MANHOLE DETAIL**  
 SCALE: N.T.S.  
 PER ASTM C 478



**SELF-SEALING LID**  
 SCALE: N.T.S.

NOTE:  
 PAYMENT FOR "SANITARY SEWER MANHOLES, TYPE A, TYPE 1 FRAME, CLOSED LID" SHALL INCLUDE ALL FRAMES, GRATES, STEPS, CONCRETE, REINFORCEMENT, EXCAVATION, BACKFILLING AND ALL COLLATERAL WORK TO PLACE THE MANHOLE IN SERVICE.

REVISIONS	
NAME	DATE

ILLINOIS DEPARTMENT OF TRANSPORTATION  
**DETAIL**  
**SANITARY MANHOLE**  
**IL. ROUTE 336**  
 DATE 3/30/06  
 DRAWN BY  
 CHECKED BY

ILL. SAN. HR. 405 4/19/2006 11:28:25 AM