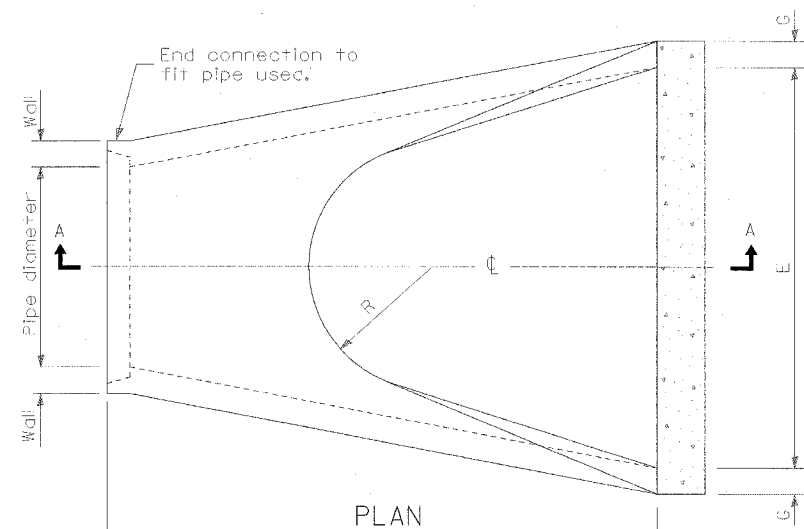
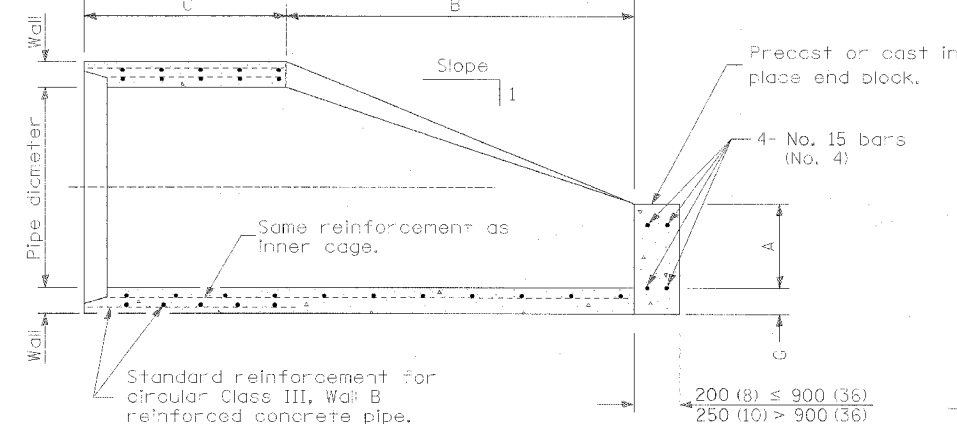


PIPE DIA.	APPROX. QTY. kg (lbs)	WALL	A	B	C	D	E	G	R	APPROX. SLOPE
300 (12)	240 (530)	51 (2)	102 (4)	610 (24)	1.241 m (4'-0 7/8")	1.851 m (6'-0 7/8")	610 (24)	51 (2)	229 (9)	1:2.1
375 (15)	335 (740)	57 (2 1/4)	152 (6)	686 (27)	1.168 m (3'-10")	1.854 m (6'-1")	762 (30)	57 (2 1/4)	280 (11)	1:2.4
450 (18)	450 (990)	64 (2 1/2)	229 (9)	686 (27)	1.168 m (3'-10")	1.854 m (6'-1")	914 (36)	64 (2 1/2)	305 (12)	1:2.4
525 (21)	580 (1280)	70 (2 3/4)	229 (9)	889 (35)	965 (38)	1.854 m (6'-1")	1.067 m (3'-6")	70 (2 3/4)	330 (13)	1:2.4
600 (24)	690 (1520)	76 (3)	241 (9 1/2)	1.105 m (3'-7 1/2")	762 (30)	1.867 m (6'-1 1/2")	1.219 m (4'-0")	76 (3)	356 (14)	1:2.5
675 (27)	875 (1930)	83 (3 1/4)	267 (10 1/2)	1.219 m (4'-0")	648 (25 1/2)	1.867 m (6'-1 1/2")	1.372 m (4'-6")	83 (3 1/4)	368 (14 1/2)	1:2.4
750 (30)	995 (2190)	89 (3 1/2)	305 (12)	1.375 m (4'-6")	502 (19 3/4)	1.874 m (6'-1 3/4")	1.524 m (5'-0")	89 (3 1/2)	381 (15)	1:2.5
825 (33)	1450 (3200)	95 (3 3/4)	343 (13 1/2)	1.486 m (4'-10 1/2")	997 (39 1/4)	2.483 m (8'-1 3/4")	1.676 m (5'-6")	95 (3 3/4)	445 (17 1/2)	1:2.5
900 (36)	1860 (4100)	102 (4)	381 (15)	1.6 m (5'-3")	883 (34 3/4)	2.483 m (8'-1 3/4")	1.829 m (6'-0")	102 (4)	508 (20)	1:2.5
1050 (42)	2440 (5380)	114 (4 1/2)	533 (21)	1.6 m (5'-3")	889 (35)	2.489 m (8'-2")	1.981 m (6'-6")	114 (4 1/2)	559 (22)	1:2.5
1200 (48)	2970 (6550)	127 (5)	610 (24)	1.829 m (6'-0")	660 (26)	2.489 m (8'-2")	2.134 m (7'-0")	127 (5)	559 (22)	1:2.5
1350 (54)	3740 (8240)	140 (5 1/2)	686 (27)	1.651 m (5'-5")	889 (35)	2.54 m (8'-4")	2.286 m (7'-6")	140 (5 1/2)	610 (24)	1:2.0
1500 (60)	3960 (8730)	152 (6)	889 (35)	1.524 m (5'-0")	991 (39)	2.515 m (8'-3")	2.438 m (8'-0")	127 (5)	*	1:1.9
1650 (66)	4860 (10710)	165 (6 1/2)	762 (30)	1.829 m (6'-0")	686 (27)	2.515 m (8'-3")	2.591 m (8'-6")	140 (5 1/2)	*	1:1.7
1800 (72)	5680 (12520)	178 (7)	914 (36)	1.981 m (6'-6")	533 (21)	2.514 m (8'-3")	2.743 m (9'-0")	152 (6)	*	1:1.8
1950 (78)	6700 (14770)	191 (7 1/2)	914 (36)	2.286 m (7'-6")	533 (21)	2.819 m (9'-3")	2.896 m (9'-6")	165 (6 1/2)	*	1:1.8
2100 (84)	8240 (18160)	203 (8)	914 (36)	2.299 m (7'-6 1/2")	533 (21)	2.832 m (9'-3 1/2")	3.048 m (10'-0")	165 (6 1/2)	*	1:1.6

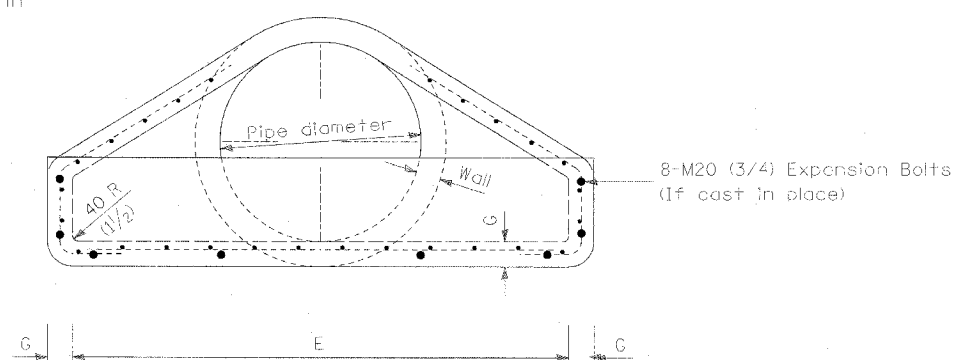
\* Radius as furnished by manufacturer



PLAN



SECTION A-A



END VIEW

GENERAL NOTES

All slope ratios are expressed as units of vertical displacement to units of horizontal displacement (V:H).

All dimensions are in millimeters (Inches) unless otherwise noted.

ILLINOIS DEPARTMENT OF TRANSPORTATION	
DISTRICT CADD STANDARD	
PRECAST REINFORCED CONCRETE FLARED DROP BOX END SECTION	
CADD STANDARD 542301-04	DRAWN BY CADD
SCALE: NOT DRAWN TO SCALE	CHECKED BY
DATE \$\$\$DATE\$\$\$	

REVISIONS	
NAME	DATE

542301-D4

\$\$\$DATE\$\$\$

\*CIV-ONLY\*