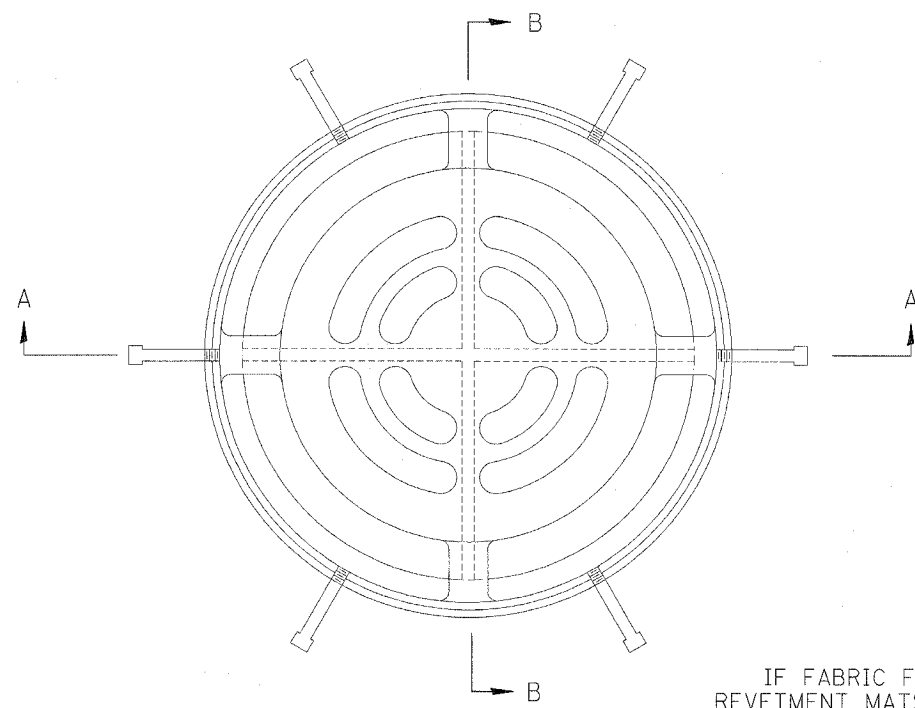
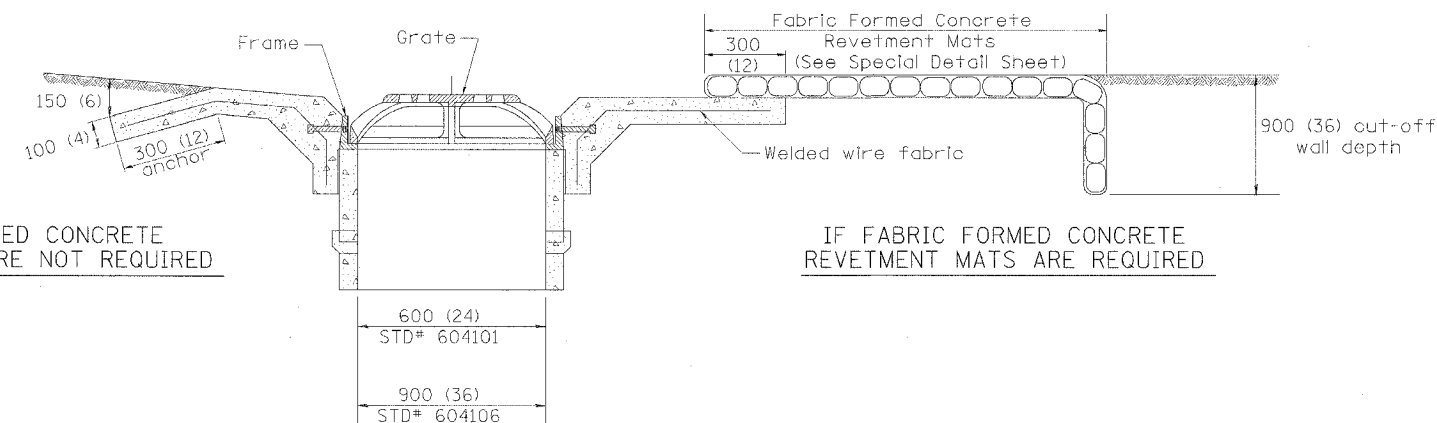


F.A.P. RTE.	SECTION	COUNTY	TOTAL SHEETS	SHEET NO.
315	55-2	MCDONOUGH	1036	620
STA.		TO STA.		
FED. ROAD DIST. NO. 4		ILLINOIS FED. AID PROJECT		



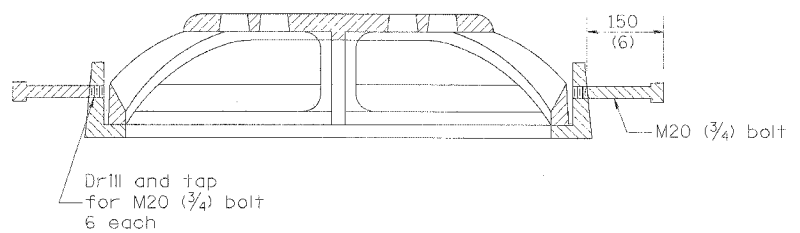
PLAN
(STD# 604101 & 604106)



IF FABRIC FORMED CONCRETE REVETMENT MATS ARE NOT REQUIRED

IF FABRIC FORMED CONCRETE REVETMENT MATS ARE REQUIRED

SECTION B-B
(STD# 604101 & 604106)



SECTION A-A
(STD# 604101 & 604106)

GENERAL NOTES

- The applicable portions of Highway Standards 604101 and/or 604106 shall apply, except as noted herein.

All dimensions are in millimeters (inches) unless otherwise noted.

ILLINOIS DEPARTMENT OF TRANSPORTATION
DISTRICT CADD STANDARD

DATE	REVISIONS	BY
1-1-97	RENUM. B-4.09, NEW REVISION BOX, REVISED DESIGNER NOTES.	T.P.

MEDIAN INLET (604101), SPECIAL AND
MEDIAN INLET (604106), SPECIAL
CADD STANDARD 604101-D4
SCALE NOT TO SCALE
DATE **DATE**

DRAWN BY CADD
CHECKED BY

604101-D4

Designer Notes: 1. This is to be used to supplement Standard 604101 and/or 604106
 2. If fabric formed concrete revetment mats are used, include District CADD drawing.
 3. Include District Special Provision.
 DATE

DGN-ONE.Y