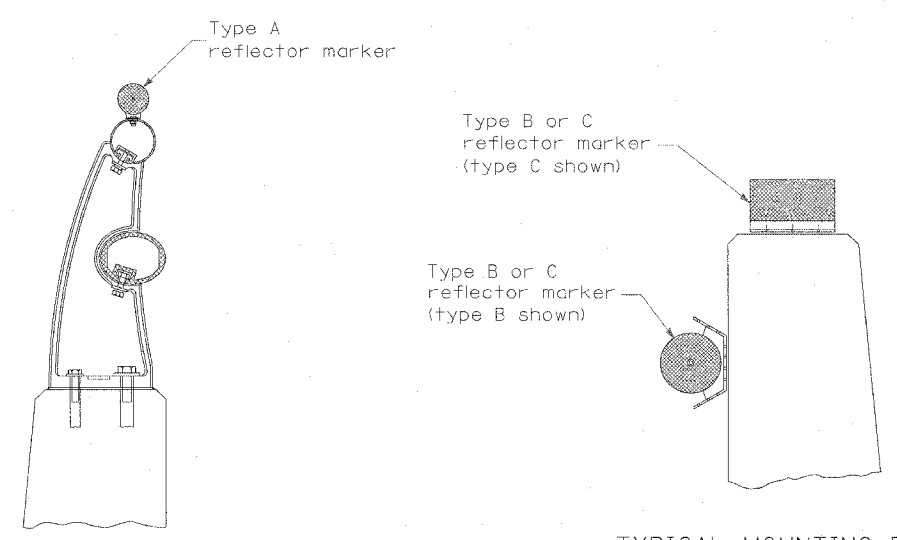


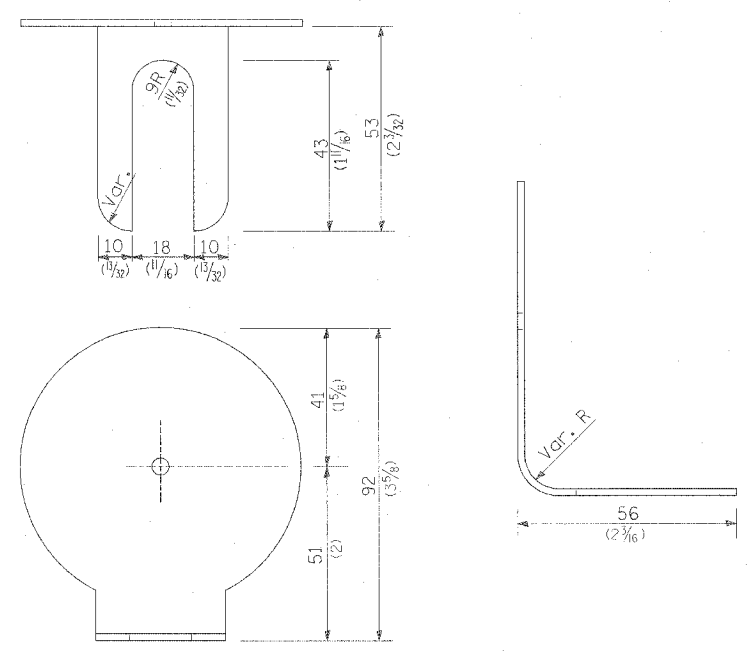
F.A.P. RTE.	SECTION	COUNTY	TOTAL SHEETS	SHEET NO.
315	55-2	McDONOUGH	1036	629
STA.		TO STA.		
FED. ROAD DIST. NO. 4		ILLINOIS FED. AID PROJECT		



TYPICAL MOUNTING DETAIL FOR BRIDGE RAIL REFLECTOR

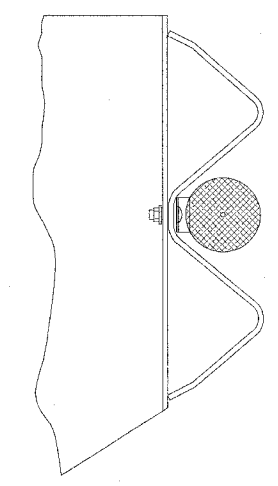
TYPICAL MOUNTING DETAIL FOR BARRIER WALL REFLECTOR

REFLECTOR MOUNTING

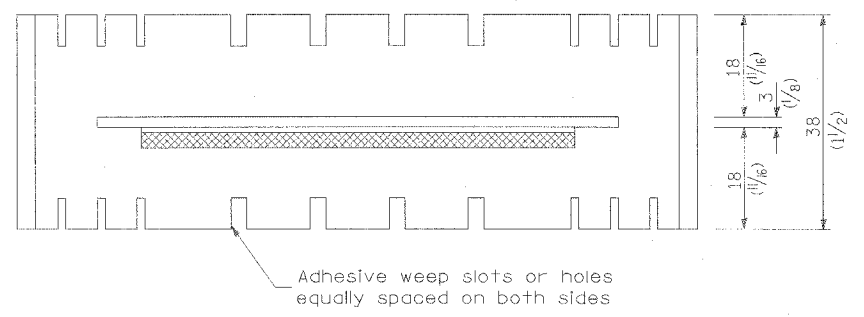


REFLECTOR MARKER TYPE A

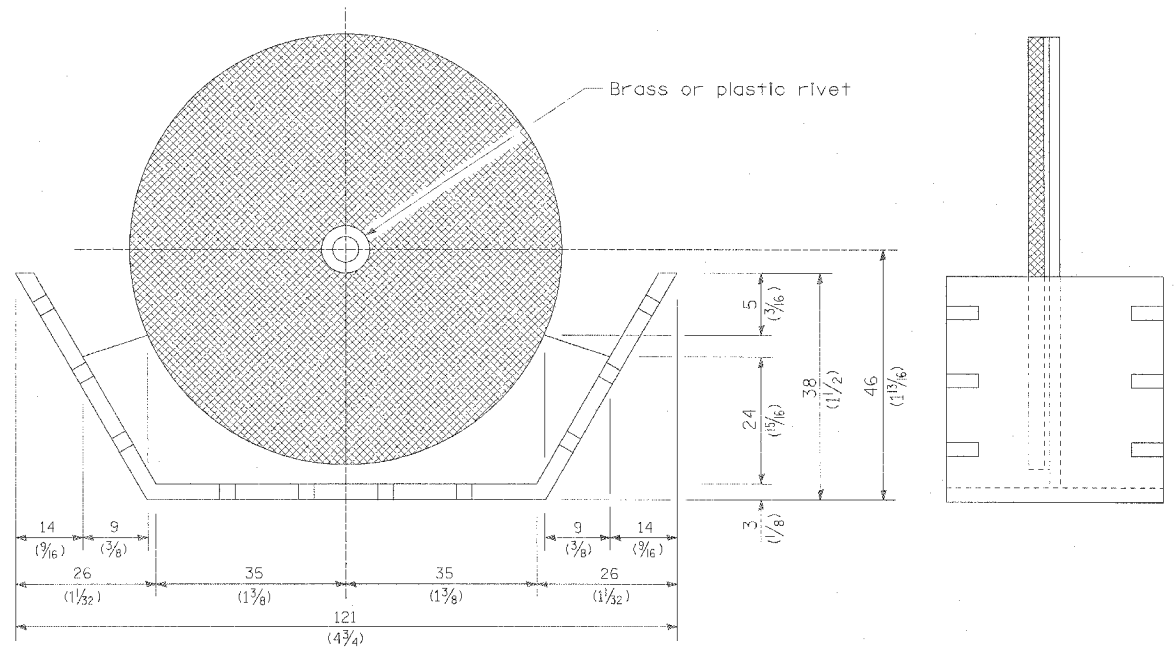
Mn. reflective area 4,194 mm² (6 1/2 Sq. in.) each side. May be rectangular or slight trapezoid.



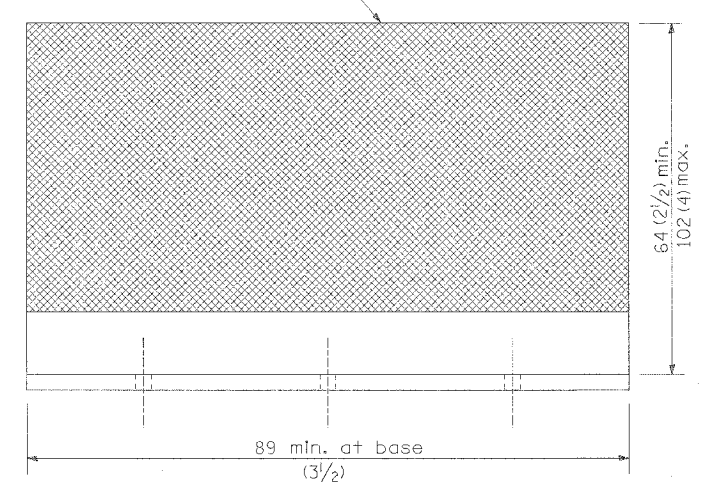
TYPICAL GUARDRAIL MOUNTING WITH REFLECTOR MARKER TYPE A



Adhesive weep slots or holes equally spaced on both sides



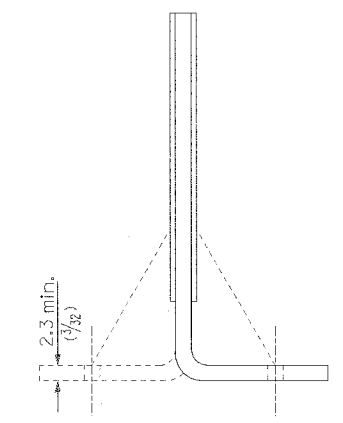
REFLECTOR MARKER TYPE B



REFLECTOR MARKER TYPE C

Minimum total area of base 4,516 mm² (7.0 Sq. in.)

3 min. adhesive weep holes or slots each side, variable spacing.



Cross section may be "T" or "L" shaped and may have side supports at ends.

REFLECTORS

All dimensions are in millimeters (inches) unless otherwise noted.

ILLINOIS DEPARTMENT OF TRANSPORTATION	
DISTRICT CADD STANDARD	
GUARDRAIL AND BARRIER WALL DELINEATION	
CADD STD. NO. 635101-D4	SHEET 3 OF 3
SCALE: NOT DRAWN TO SCALE	DRAWN BY CADD
DATE **DATE**	CHECKED BY