
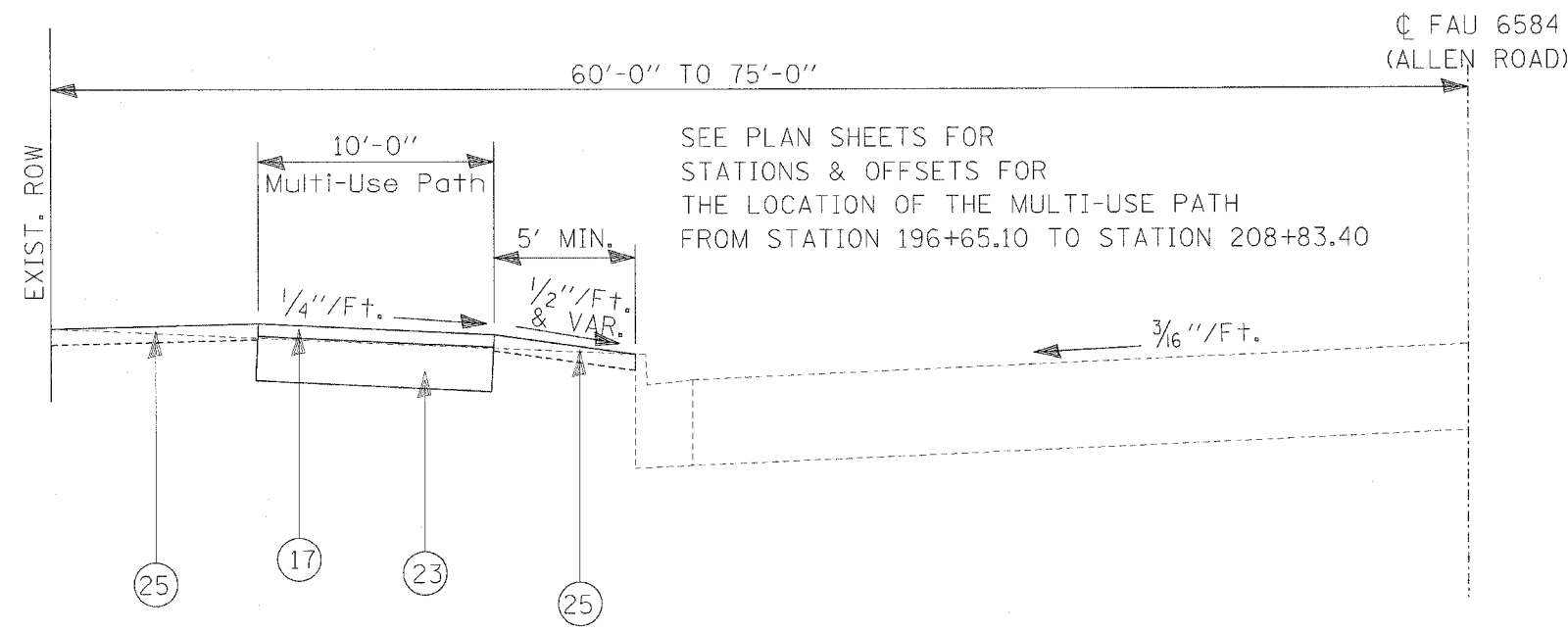


DESIGNED AMPH/RB	 RANDOLPH & ASSOCIATES, INC. 111 N. FREDERICK STREET, PEORIA, IL 61604-0111 TEL: 309.691.1000 FAX: 309.691.1001 1011 P.O. BOX 1000, PEORIA, IL 61604-1000	FILE NUMBER 136.115	FAU RTE.	SECTION	COUNTY	TOTAL SHEETS	SHEET NO.
CHECKED RB		DATE February 2004	6584	105R-1	PEORIA	115	12
DRAWN AMPH		STA.	TO STA.				
CHECKED RB		FED. ROAD DIST. NO. 4 ILLINOIS FED. AID PROJECT					



SEE PLAN SHEETS FOR STATIONS & OFFSETS FOR THE LOCATION OF THE MULTI-USE PATH FROM STATION 196+65.10 TO STATION 208+83.40

TYPICAL SECTION
MULTI-USE PATH
STA. 196+65.10 to STA. 208+83.40

EXISTING

- ① Existing PCC Pavement (9-6-9)
- ② Existing Bituminous Base Course Widening, 10"
- ③ Existing Overlay, 2"
- ④ Existing Bituminous Binder Course, 3"
- ⑤ Existing Overlay 3 1/2"
- ⑥ Existing Leveling Binder (Var. Depth)
- ⑦ Existing Bituminous Concrete Surface Course, 2"
- ⑧ Existing Bituminous Concrete Surface Course, 3"
- ⑨ Existing Curb & Gutter B6.24
- ⑩ Existing Sub-base Granular Material, Type A 4"
- ⑪ Existing Widening, 12"
- ⑫ Existing Bituminous Shoulder 10" (To Be Removed) - Paid as Paved Shoulder Removal
- ⑬ Existing Aggregate Shoulder (To Be Removed) (Included in Earth Excavation)
- ⑭ Existing Aggregate Base Course, 6"

PROPOSED

- ⑮ Proposed Polymer Bit. Conc. Surf. Cse., Superpave, Mix D N70 2"
- ⑯ Proposed Bit. Conc. Surf. Cse., Superpave, Mix C N30 3"
- ⑰ Proposed Polymer Leveling Binder (Machine Method) Superpave, N70 (3/4" & Var.)
- ⑱ Proposed Combination Concrete Curb and Gutter Type B6.24
- ⑲ Proposed Polymer Bit. Conc. Surf. Cse., Superpave, Mix D N70 1 1/2"
- ⑳ Proposed Bituminous Base Course 12"
- ㉑ Proposed Subbase Granular Material Type A 4"
- ㉒ Proposed Aggregate Base Course, Type B, 6"
- ㉓ Proposed Furnish & Place Topsoil 4" & Seeding
- ㉔ Proposed Furnish & Place Topsoil 4" & Sod
- ㉕ Proposed Strip Reflective Crack Control Treatment System A
- ㉖ Proposed Erosion Control Blanket

TYPICAL SECTION
MULTI-USE PATH
STA. 196+65.10 TO STA. 208+69.25
ALLEN ROAD
F.A.U. 6584 (SBI 174) SECTION 105R-1
PEORIA COUNTY