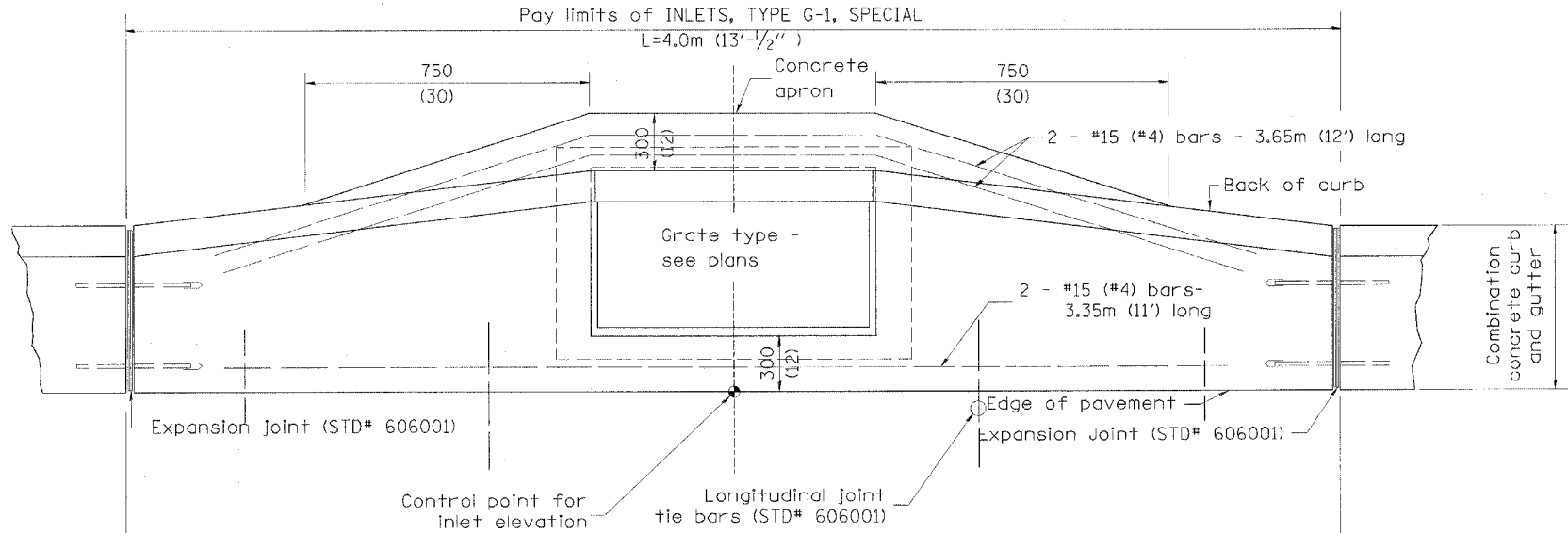
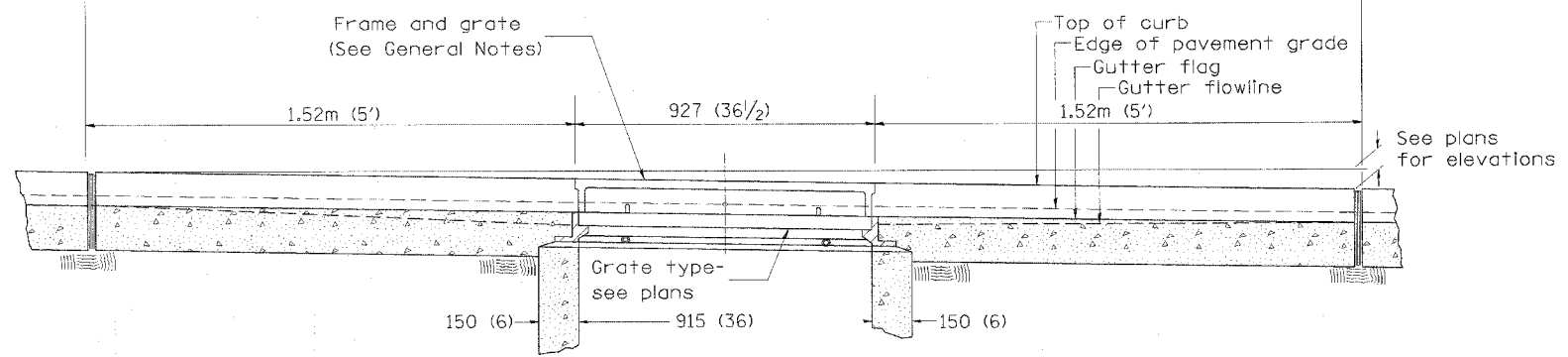


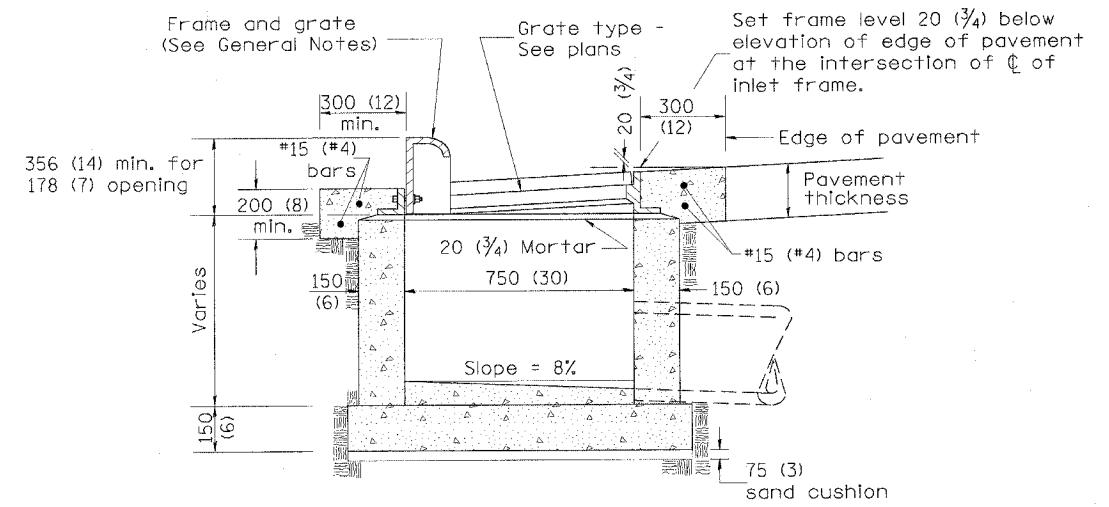
F.A.U. RTE.	SECTION	COUNTY	TOTAL SHEETS	SHEET NO.
6584	105R-1	PEORIA	115	59
STA.		TO STA.		
FED. ROAD DIST. NO. 4 ILLINOIS FED. AID PROJECT				



PLAN



ELEVATION (FRONT)



ELEVATION (SIDE)

GENERAL NOTES

1. Inlet construction shall be in accordance with Section 602 of the Standard Specifications.
2. Combination Concrete Curb and Gutter shall be constructed in accordance with Section 606 of the Standard Specifications.
3. See District CADD Standard 604001-D4 for frame and grates.

DESIGNER NOTES: 1. Include State Standard 606001 for combination concrete curb and gutter details.
 2. Include Std. Standard 420001 for pavement joints.
 3. Include District CADD Standard for frame and grates.
 4. Include District CADD Special Provision. Pay item includes transitional c.c.c & g., inlet and frame and grate. All work within pay limits.
 5. Specify grate type in plans.

June 2003

All dimensions are in millimeters (inches) unless otherwise noted.

ILLINOIS DEPARTMENT OF TRANSPORTATION	
DISTRICT CADD STANDARD	
INLETS, TYPE G-1, SPECIAL	
CADD STANDARD 602006-D4	DRAWN BY CADD
SCALE NOT TO SCALE	CHECKED BY
DATE **DATE**	

DATE	REVISIONS	BY
1-1-97	RENUM. B-4.02, NEW REVISION BOX	
12-1-98	CORRECT E. O. P. NOTE	J.A.
10-99	REVISION TO GENERAL NOTES	J.A.