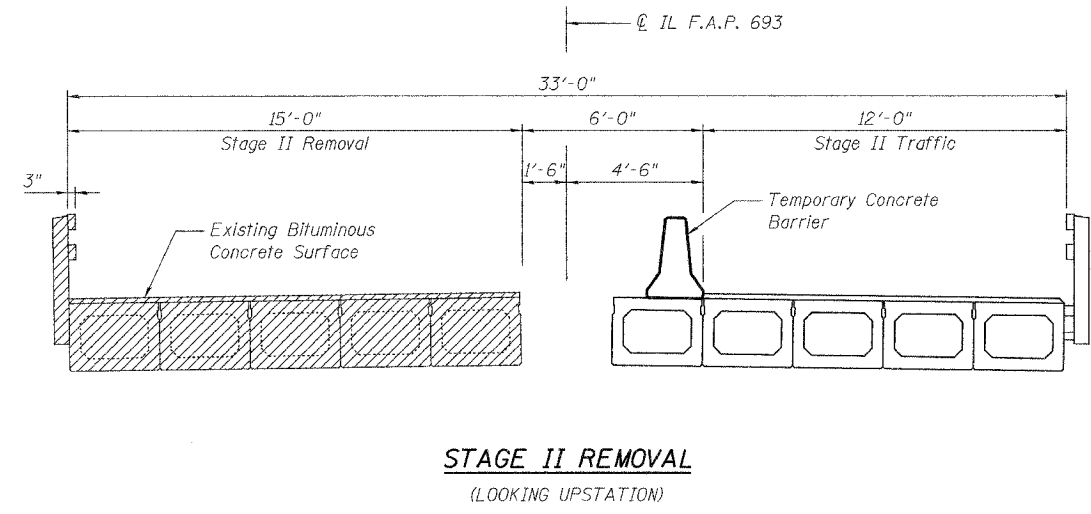
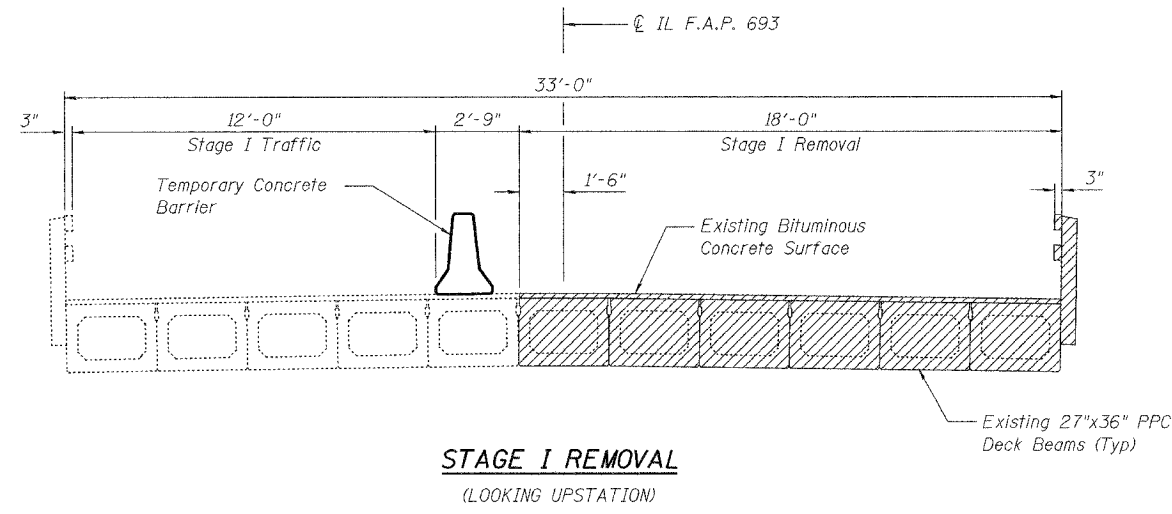


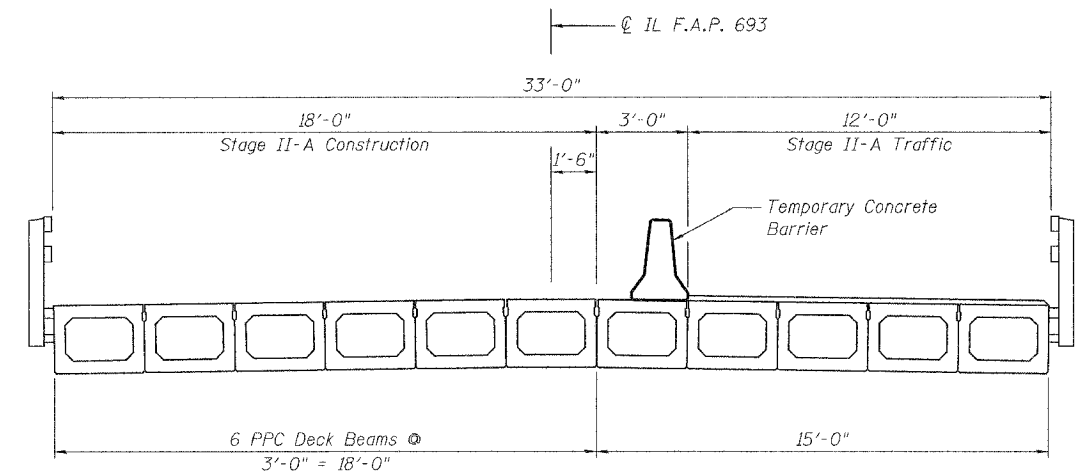
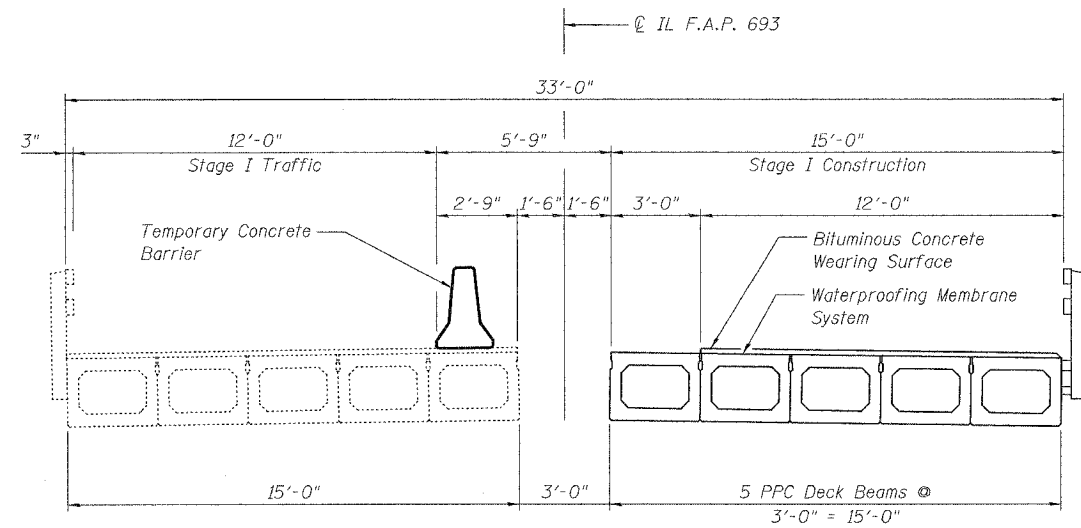
STATE OF ILLINOIS
DEPARTMENT OF TRANSPORTATION

ROUTE NO.	SECTION	COUNTY	SHEET NO.	SHEET	SHEET NO.
F.A.P. 693	(119B-3)I	TAZEWELL	34	II	14 SHEETS
FED. ROAD DIST. NO. 7		ILLINOIS PROJECT			

Contract # 68415

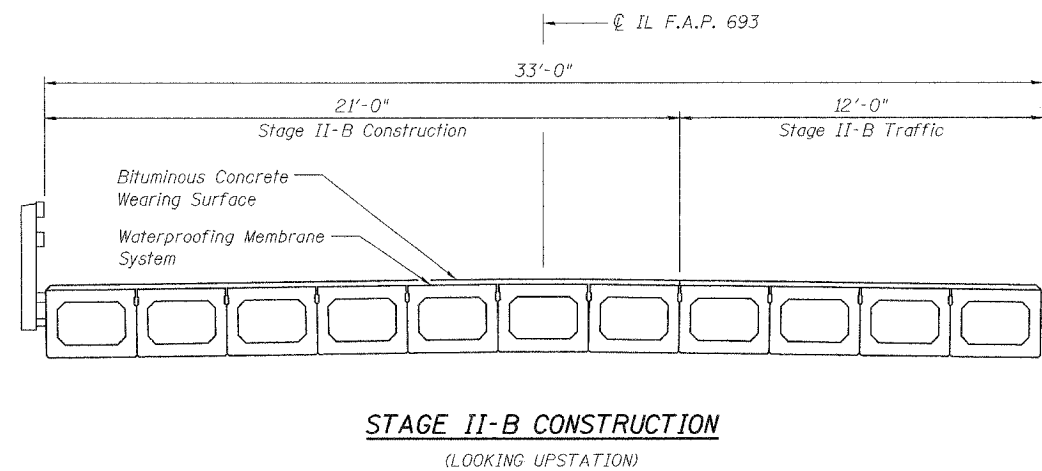
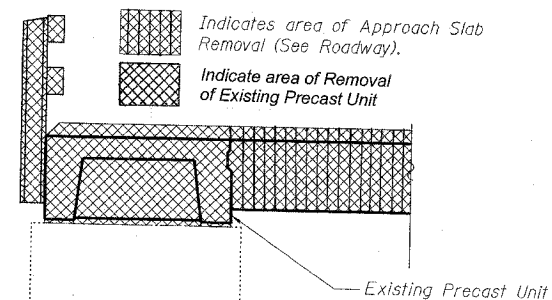


Indicates Removal of Existing Superstructures



STAGE I CONSTRUCTION
(LOOKING UPSTATION)

STAGE II-A CONSTRUCTION
(LOOKING UPSTATION)



Notes:
For details of Temporary Concrete Barrier and limits of Waterproofing Membrane System, see Sheet 3 of 14.

STAGE CONSTRUCTION
ILLINOIS ROUTE 9 OVER
PRAIRIE CREEK
F.A.P. ROUTE 693 SECTION (119B-3)I
TAZEWELL COUNTY
SN 090-006I

DESIGNED BWP	THOUVENOT, WADE & MOERCHEN, INC. ENGINEERS • SURVEYORS • PLANNERS CORPORATE OFFICE 4940 OLD CELLENSVILLE RD. SPANISH LAKE, ILLINOIS 62226 TEL (618) 624-4488 FAX (618) 624-6689 E-MAIL: CORP@TWM-INC.COM
CHECKED ALN	
DRAWN BWP	
CHECKED KPC	