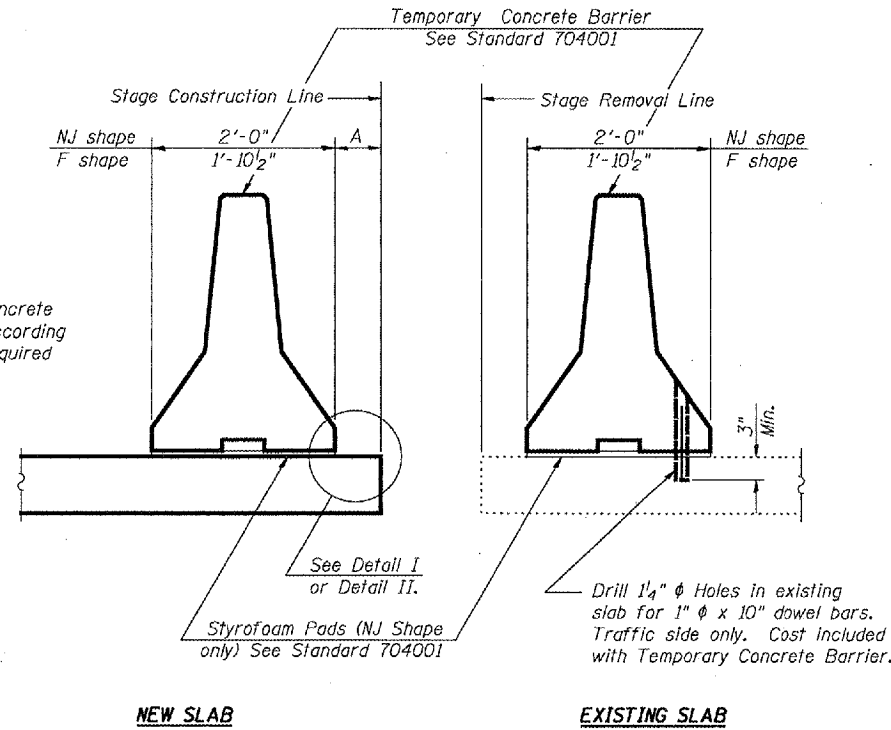


STATE OF ILLINOIS
DEPARTMENT OF TRANSPORTATION

ROUTE NO.	SECTION	COUNTY	DISTRICT	SHEET NO.
		Tazewell		21
SHEET NO. 10 11 SHEETS				
Contract Number: 68484				

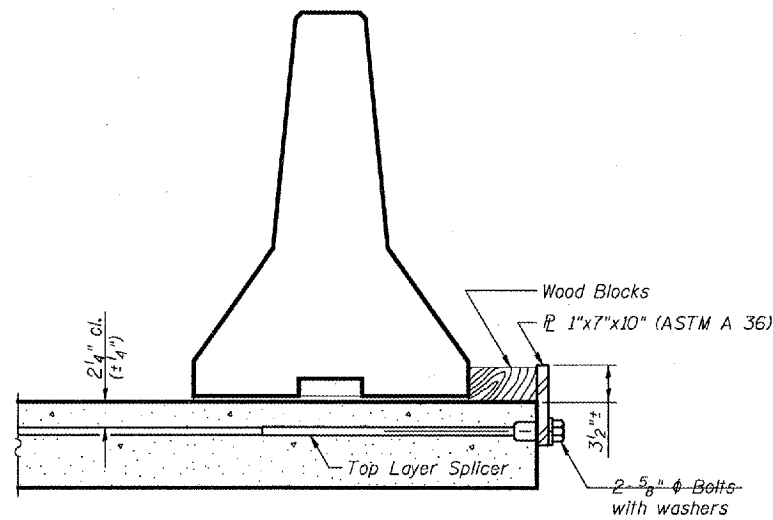
When "A" is 3'-6" or less, the temporary concrete barrier shall be anchored to the new slab according to Detail I or Detail II. No anchorage is required when "A" is greater than 3'-6".



SECTIONS THRU SLAB

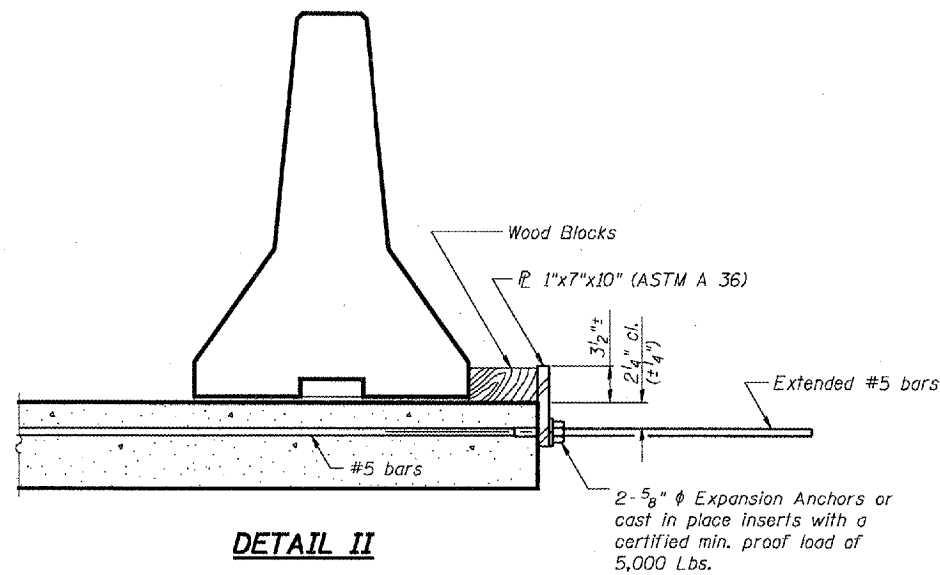
NOTES

- Detail I - With Bar Splicer or Couplers:
Connect one (1) 1"x7"x10" steel \bar{P} to the top layer of couplers with 2-5/8" ϕ bolts screwed to coupler at approximate ϕ of each barrier panel.
- Detail II - With Extended Reinforcement Bars:
Connect one (1) 1"x7"x10" steel \bar{P} to the concrete slab with 2-5/8" ϕ Expansion Anchors or cast in place inserts spaced between the top layer of reinforcement at approximate ϕ of each barrier panel.
- Cost of anchorage is included with Temporary Concrete Barrier.



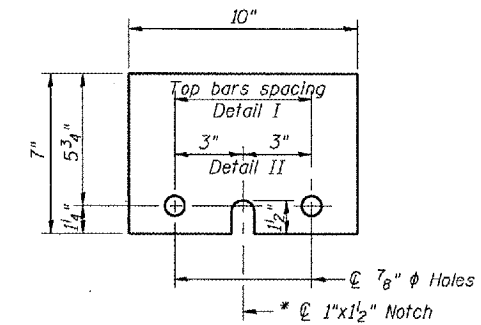
DETAIL I

The 1"x7"x10" Plate shall not be removed until Stage II Construction forms and reinforcement bars are in place.



DETAIL II

The 1"x7"x10" Plate shall not be removed until Stage II Construction forms and all reinforcement bars are in place and the concrete is ready to be placed.



\bar{P} 1"x7"x10"

* Required only with Detail II

DESIGNED	P.S.J.
CHECKED	S.J.B.
DRAWN	Drew Christopher
CHECKED	P.S.J. S.J.B.

April 24, 2006

EXAMINED *John A. Morris*
ENGINEER OF STRUCTURAL SERVICES

PASSED *Ralph E. Anderson*
ENGINEER OF BRIDGES AND STRUCTURES

R-27 10-22-04

TEMPORARY CONCRETE BARRIER
IL 122 / SUGAR CREEK
TAZEWELL COUNTY
SN 090-0058