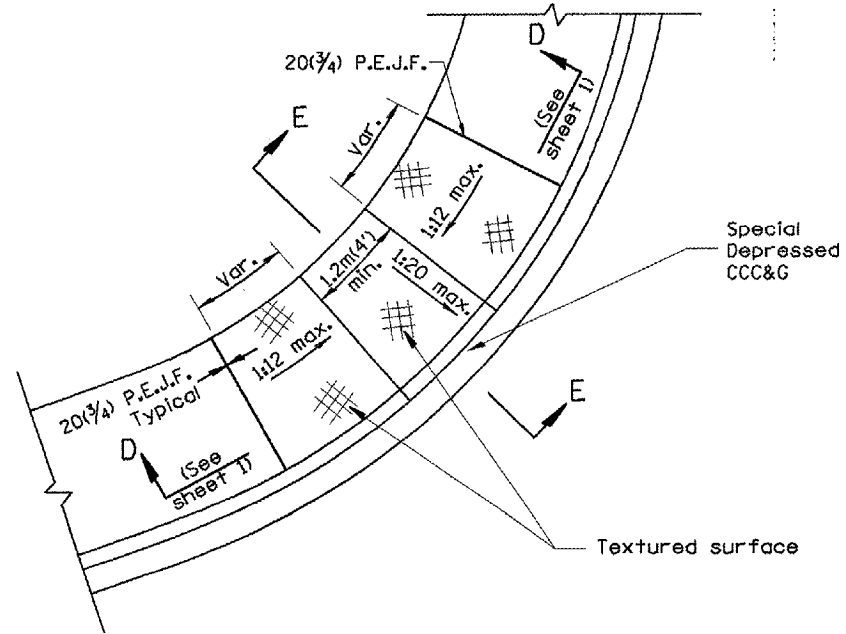
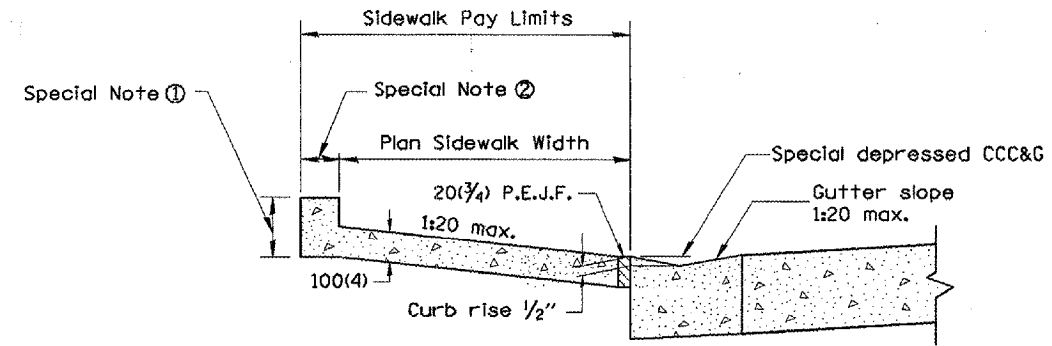


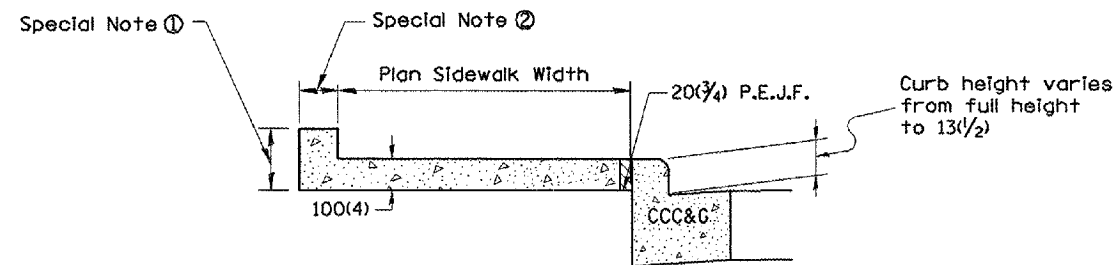
F.A. RTE.	SECTION	COUNTY	TOTAL SHEETS	SHEET NO.
646	1103-DN-5,TS	PEORIA		25
STA.	TO STA.			
FED. ROAD DIST. NO.	ILLINOIS	FED. AID PROJECT		



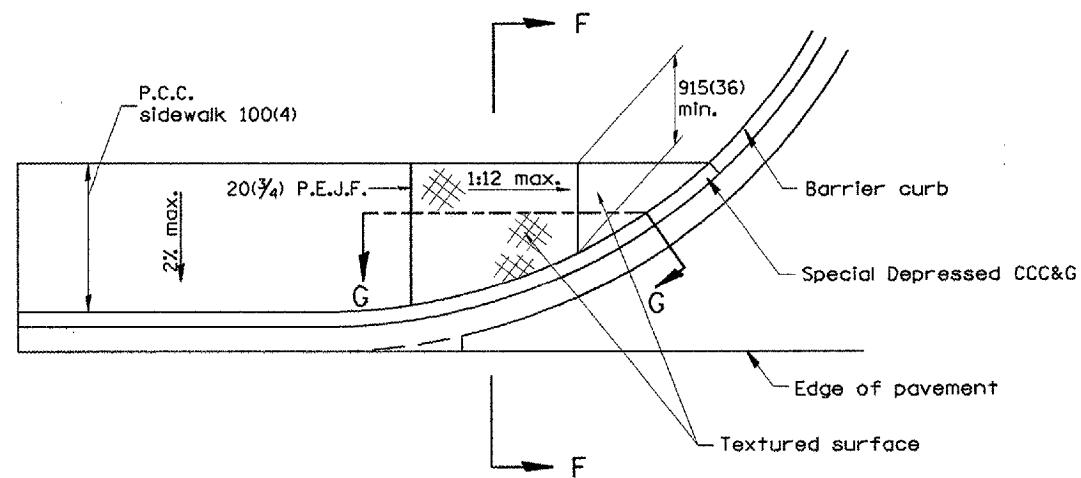
**CASE 3**  
TYPE B DIAGONAL RAMP WITH CURBLIN SIDEWALK



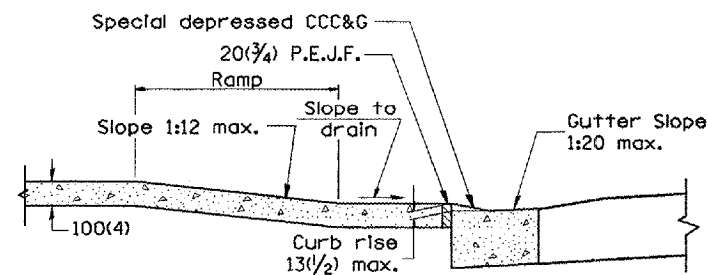
**SEC. E-E**



**SEC. F-F**



**CASE 4**  
TYPE B RAMP WITH CURBLIN SIDEWALK



**SEC. G-G**

All dimensions are in millimeters (Inches) unless otherwise noted.

ILLINOIS DEPARTMENT OF TRANSPORTATION	
DISTRICT CADD STANDARD	
SIDEWALK RAMPS ACCESSIBLE TO THE DISABLED	
CADD std. NO. 424001-D4	SHEET 2 of 2
SCALE: NOT DRAWN TO SCALE	DRAWN BY CADD
DATE **DATE**	CHECKED BY

\$\$\$DATE\$\$\$