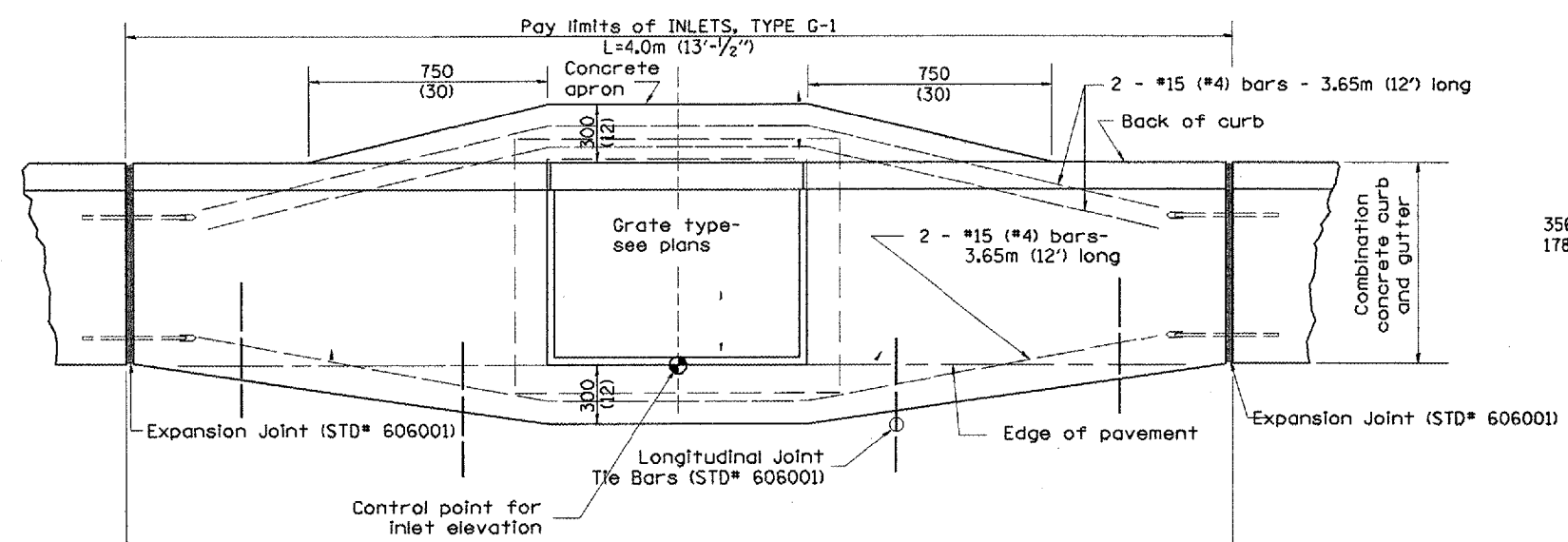
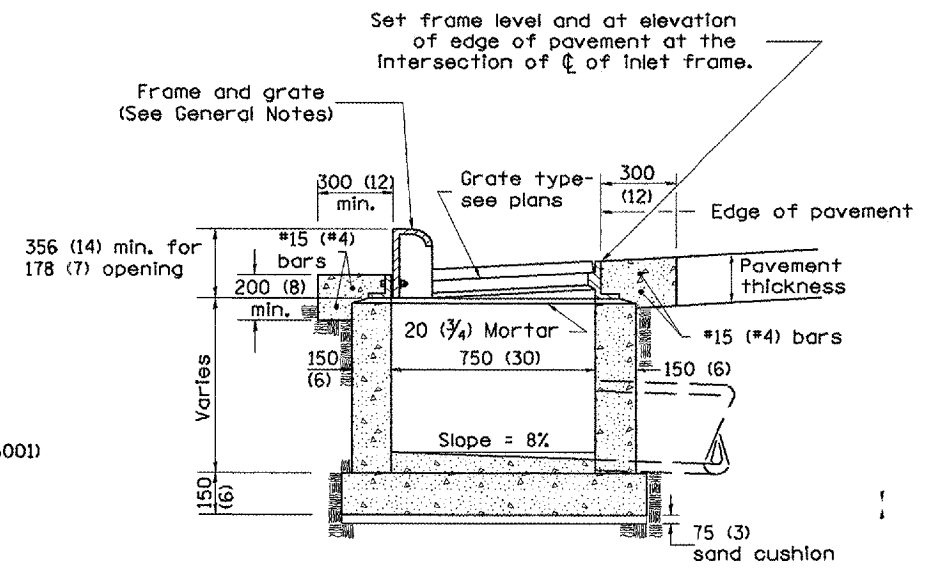


F.A. RTE.	SECTION	COUNTY	TOTAL SHEETS	SHEET NO.
646	(103)-DN-5,TS	PEORIA		76
STA.		TO STA.		
FED. ROAD DIST. NO.		ILLINOIS FED. AID PROJECT		



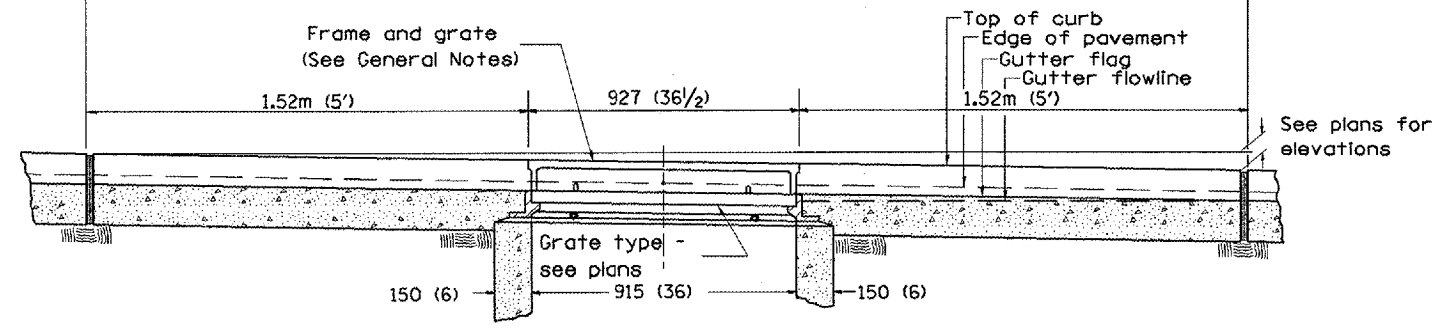
PLAN



ELEVATION SIDE

GENERAL NOTES

1. Inlet construction shall be in accordance with Section 602 of the Standard Specifications.
2. Combination Concrete Curb & Gutter shall be constructed in accordance with Section 606 of the Standard Specifications.
3. See District CADD Standard 604001-D4 for frame and grates.



ELEVATION FRONT

All dimensions are in millimeters (inches) unless otherwise noted.

ILLINOIS DEPARTMENT OF TRANSPORTATION
DISTRICT CADD STANDARD

DATE	REVISIONS	BY
1-1-97	RENUM. B-4.01, NEW REVISION BOX	T.P.
10-99	REVISION TO GENERAL NOTES	J.A.
2-00	REVISION TO DESIGNER NOTES	J.A.

INLETS, TYPE G-1

CADD STD NO. 602001-D4

SCALE NOT TO SCALE

DRAWN BY CADD
CHECKED BY

\$\$\$DATE\$\$\$