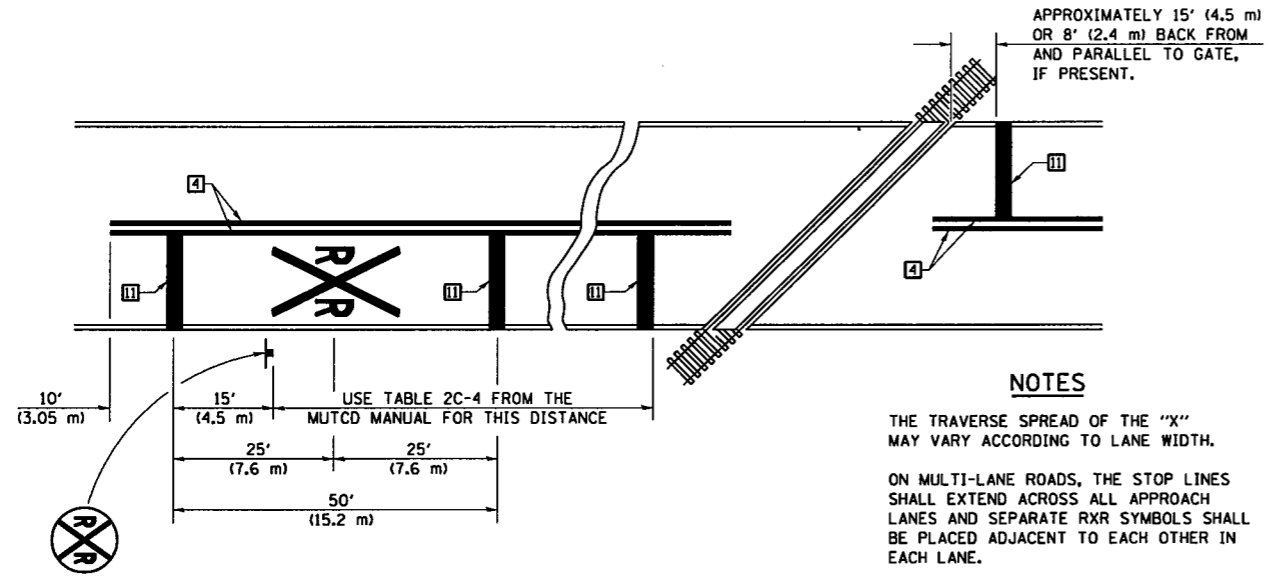


F.A.P. RTE.	SECTION	COUNTY	TOTAL SHEETS	SHEET NO.
332	*	VERMILION	30	30

• (RX,48Z-1)RS-1 & (47R-1)RS

TYPICAL APPLICATIONS OF PAVEMENT MARKINGS AND MARKERS

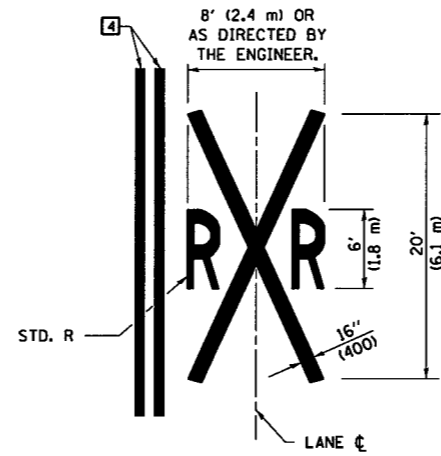


NOTES

THE TRAVERSE SPREAD OF THE "X" MAY VARY ACCORDING TO LANE WIDTH.

ON MULTI-LANE ROADS, THE STOP LINES SHALL EXTEND ACROSS ALL APPROACH LANES AND SEPARATE RXR SYMBOLS SHALL BE PLACED ADJACENT TO EACH OTHER IN EACH LANE.

WHEN THE PAVEMENT MARKING SYMBOL IS USED, A PORTION OF THE SYMBOL SHOULD BE LOCATED DIRECTLY ADJACENT TO THE ADVANCE WARNING SIGN (W10-1) AS PLACED BY TABLE II-1, CONDITION B OF THE MUTCD.



PAVEMENT MARKINGS AT RAILROAD-HIGHWAY GRADE CROSSING

SHEET 4 OF 4

	NAME	DATE	REVISIONS
DESIGNED	J.M.H.	5/85	NAME
CHECKED	FMS	6/85	GEOMETRICS/K.A.G.
CADD NO.	F-5.25		K.A.G.

ALL DIMENSIONS ARE IN INCHES (MILLIMETERS) UNLESS OTHERWISE SHOWN.