

F.A.P. RTE.	SECTION	COUNTY	TOTAL SHEETS	SHEET NO.
749		EDGAR	75	34

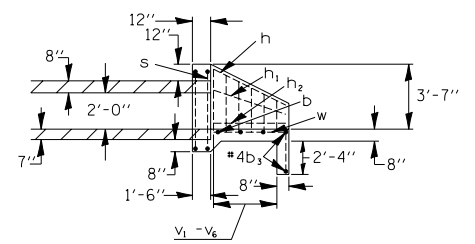
STA.	TO STA.
FED. ROAD DIST. NO.	ILLINOIS FED. AID PROJECT
• 14RS-2,122RS-3 & (123NRS,14)BR	

**CONTRACT NO. 70134**  
**D-95-064-00**

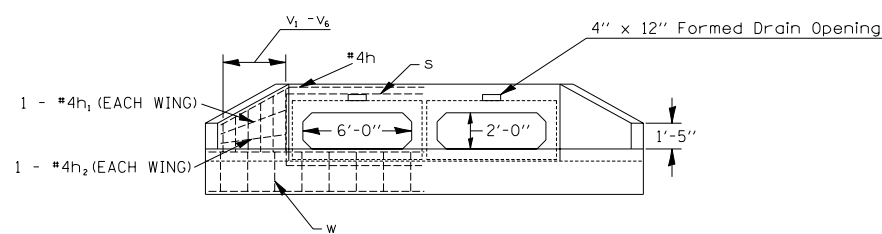
# DETAIL OF BOX CULVERT END SECTION

## A.R. BOX CULVERT TYPE 2 @ 6.0' X 2.0'

### STA. 8+76 (CULVERT NO. 1)



**SECTION A - A**

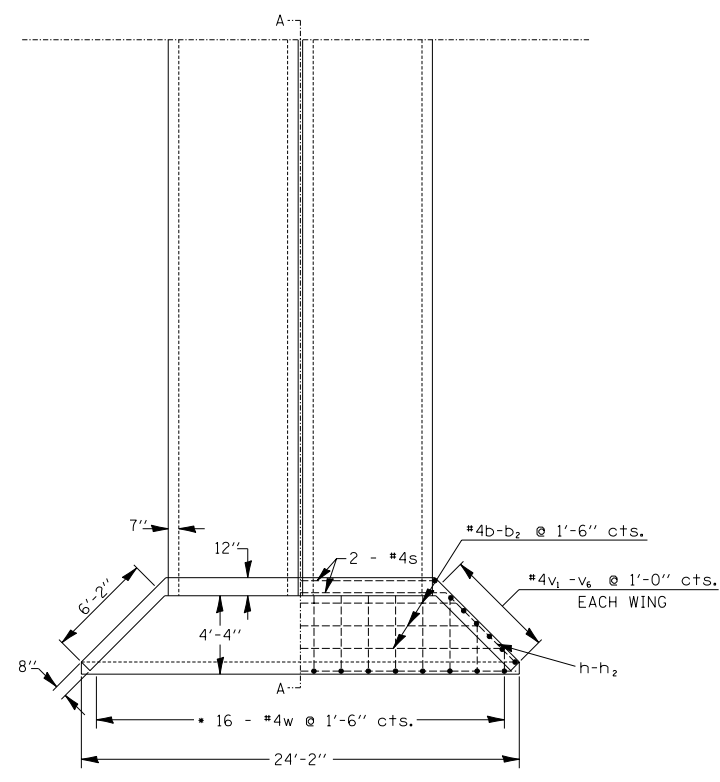
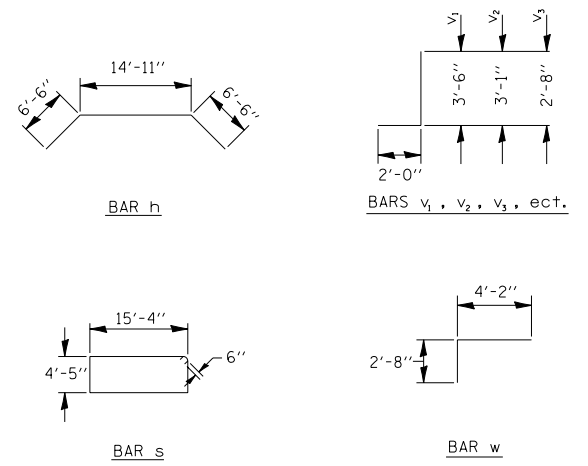


**END VIEW**

**BILL OF MATERIAL (ONE HEADWALL)**

Bar	No.	Size	Length (ft)	Shape
b	1	#4	17'-2"	—
b <sub>1</sub>	1	#4	19'-8"	—
b <sub>2</sub>	1	#4	22'-2"	—
b <sub>3</sub>	2	#4	23'-10"	—
h	1	#4	27'-11"	—
h <sub>1</sub>	2	#4	6'-2"	—
h <sub>2</sub>	2	#4	5'-11"	—
s	2	#4	40'-6"	□
v <sub>1</sub>	2	#4	5'-6"	┘
v <sub>2</sub>	2	#4	5'-1"	┘
v <sub>3</sub>	2	#4	4'-8"	┘
v <sub>4</sub>	2	#4	4'-4"	┘
v <sub>5</sub>	2	#4	3'-11"	┘
v <sub>6</sub>	2	#4	3'-6"	┘
w	16	#4	6'-10"	┘
Reinforcement Bars			LB.	270
Class SI Conc. Hdwall			CU. YD.	5.9

ITEM	UNIT	QUANT.
Box Culvert End Sec. Culvert No. 1	EACH	2



**PLAN**

F.A.P. RT. 749  
 SEC. 14RS-2,122RS-3&(123NRS,14)BR  
 LOADING HS20  
 STR. NO. 023-8313

**NAME PLATE DETAIL**

**NOTES**

- SEE HIGHWAY STANDARD 515001-02 FOR DIMENSIONS AND PLACEMENT.
- NAME PLATE WILL BE PAID FOR AT THE CONTRACT UNIT PRICE PER "EACH" FOR "NAME PLATES"

**NOTES**

- All bars should be rounded and shall conform to the requirements of Art. 1006.10 of Standard Specs.
- Class SI Concrete shall be used throughout.
- The Precast Concrete Box Culvert Sections shall conform to the requirements of AASHTO M273.
- All dimensions are in FEET (')-INCHES (") unless otherwise noted.
- Concrete and Rebar quantities and lengths calculated for the cast-in-place End Sections will vary based on the precast box culverts supplied.
- End Sections will be paid for at the contract unit price each for BOX CULVERT END SECTION CULVERT NO., as outlined in Art. 540.08, which prices shall include all concrete, rebar, and all other items necessary to complete the proposed work.
- Drawings not to scale.
- Drain holes shall be provided in accordance with Art. 503.12.

BOX CULVERT END SECTIONS (CAST IN PLACE)  
2 @ 6.0' X 2.0'  
STA. 8+76 NO SKEW  
STRUCTURE NO. 023-8313

REVISIONS		ILLINOIS DEPARTMENT OF TRANSPORTATION
NAME	DATE	
		<b>CULVERT DETAILS</b>

SCALE: VERT.     DRAWN BY JDC  
 HORIZ.            CHECKED BY  
 DATE 080604

PLOT DATE = 2/7/2006  
 FILE NAME = c:\projects\4595408 (v8)\details.dgn  
 PLOT SCALE = 42.352% / IN.  
 REFERENCE = \$REF\$