

DETAIL OF BOX CULVERT END SECTION

A.R. BOX CULVERT TYPE 3 @ 12.0' X 4.0'

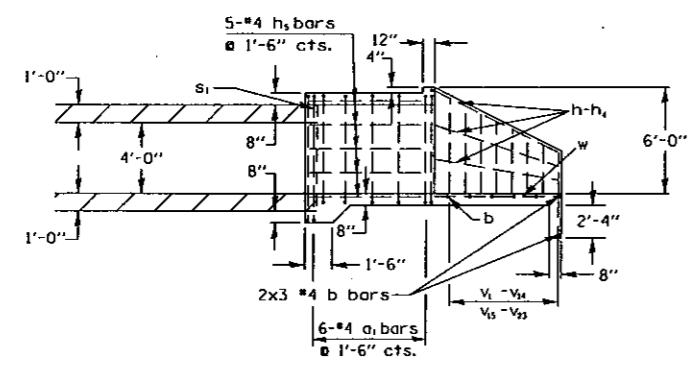
STA. 539 + 65 (CULVERT NO. 4)

CONTRACT NO.				
F.A.P. RTE.	SECTION	COUNTY	TOTAL SHEETS	SHEET NO.
749		EDGAR	75	37
STA. TO STA.				
ILLINOIS FED. AID PROJECT				
• 14RS-2,122RS-3 & (123NRS,14)BR				
CONTRACT NO. 70134				
D-95-064-00				

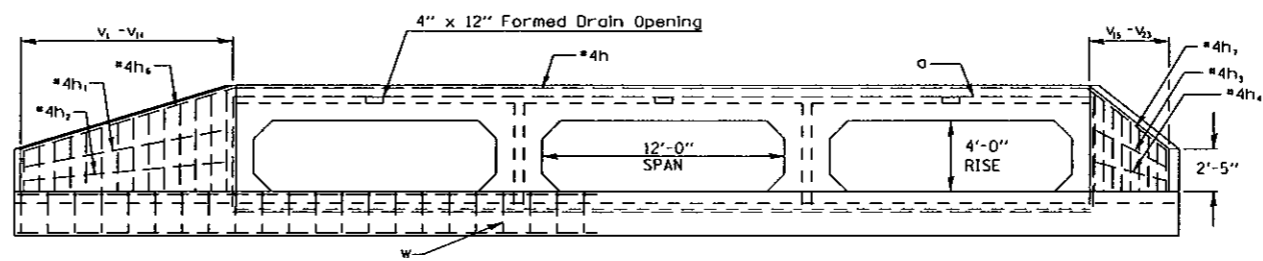
BILL OF MATERIAL (ONE HEADWALL)

Bar	No.	Size	Length (ft)	Shape
a	24	#4	25'-6"	
a ₁	12	#4	9'-4"	J
b	18	#4	29'-4"	
h	2	#4	22'-2"	
h ₁	1	#4	14'-1"	
h ₂	1	#4	13'-11"	
h ₃	1	#4	8'-7"	
h ₄	1	#4	8'-5"	
h ₅	76	#4	8'-3"	
h ₆	2	#4	22'-2"	
h ₇	2	#4	22'-2"	
s	8	#4	25'-6"	
s ₁	4	#4	10'-0"	J
v ₁	1	#4	7'-10"	J
v ₂	1	#4	7'-6"	J
v ₃	1	#4	7'-2"	J
v ₄	1	#4	6'-11"	J
v ₅	1	#4	6'-8"	J
v ₆	1	#4	6'-5"	J
v ₇	1	#4	6'-1"	J
v ₈	1	#4	5'-11"	J
v ₉	1	#4	5'-7"	J
v ₁₀	1	#4	5'-5"	J
v ₁₁	1	#4	5'-1"	J
v ₁₂	1	#4	4'-10"	J
v ₁₃	1	#4	4'-7"	J
v ₁₄	1	#4	4'-4"	J
v ₁₅	1	#4	7'-6"	J
v ₁₆	1	#4	7'-1"	J
v ₁₇	1	#4	6'-8"	J
v ₁₈	1	#4	6'-4"	J
v ₁₉	1	#4	5'-11"	J
v ₂₀	1	#4	5'-6"	J
v ₂₁	1	#4	5'-1"	J
v ₂₂	1	#4	4'-8"	J
v ₂₃	1	#4	4'-4"	J
w	44	#4	9'-8"	J
Reinforcement Bars			LB.	2,865
Class SI Conc. Hdwall			CU. YD.	41.1

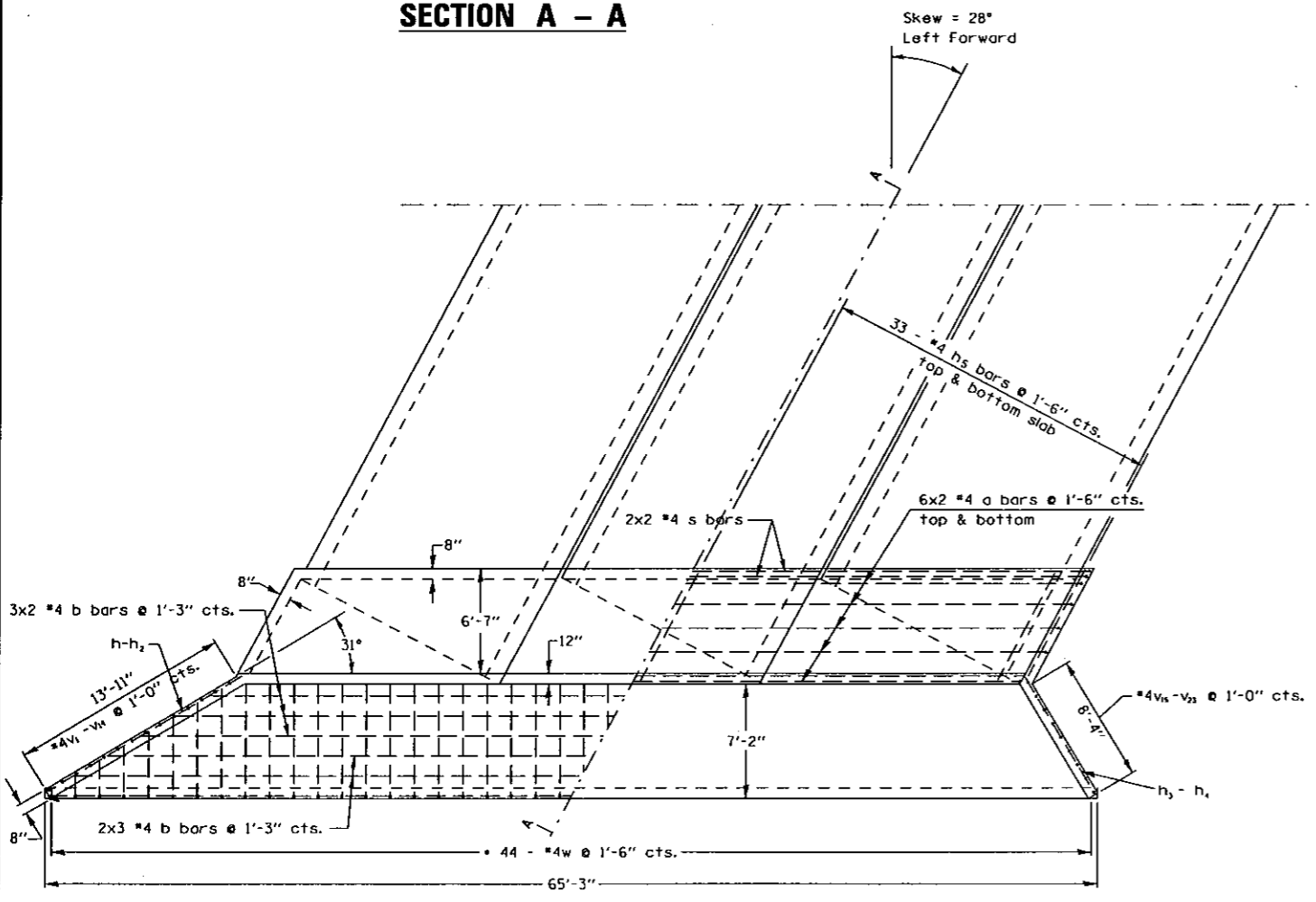
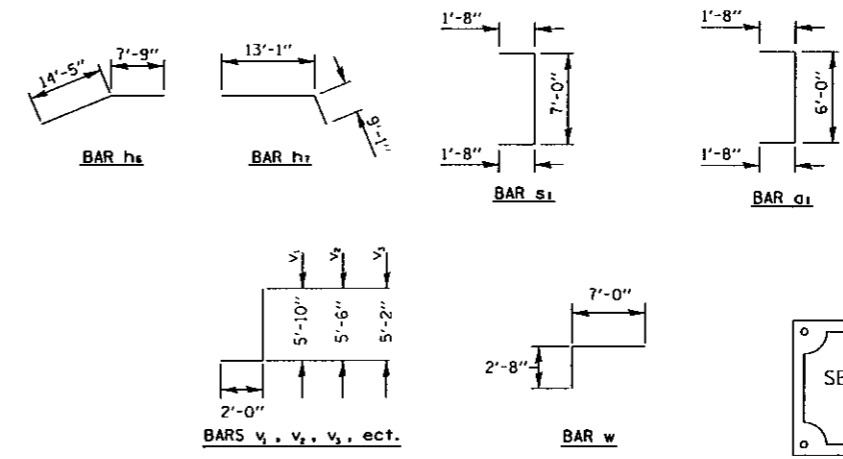
ITEM	UNIT	QUANT.
Box Culvert End Sec. Culvert No. 4	EACH	2



SECTION A - A



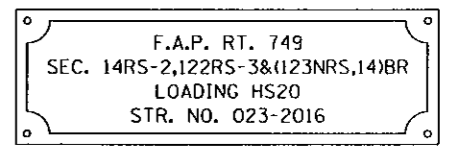
END VIEW



PLAN

NOTES

- All bars should be rounded and shall conform to the requirements of Art. 1006.10 of Standard Specs.
- Class SI Concrete shall be used throughout.
- The Precast Concrete Box Culvert Sections shall conform to the requirements of AASHTO M273.
- All dimensions are in FEET (')-INCHES (") unless otherwise noted.
- Concrete and Rebar quantities and lengths calculated for the cast-in-place End Sections will vary based on the precast box culverts supplied.
- End Sections will be paid for at the contract unit price each for BOX CULVERT END SECTION CULVERT NO., as outlined in Art. 540.08, which prices shall include all concrete, rebar, and all other items necessary to complete the proposed work.
- Drawings not to scale.
- Drain holes shall be provided in accordance with Art. 503.12.
- The span dimension on the End View give the opening span for the Box Culvert. Due to the Skew of the box The End Section opening is larger.
- Bars Indicated thus 12x4 #4 etc., indicates 12 lines of bars with 4 lengths per line.



NAME PLATE DETAIL

NOTES

- SEE HIGHWAY STANDARD 515001-02 FOR DIMENSIONS AND PLACEMENT.
- NAME PLATE WILL BE PAID FOR AT THE CONTRACT UNIT PRICE PER "EACH" FOR "NAME PLATES"

BOX CULVERT END SECTIONS (CAST IN PLACE)
 3 @ 12.0' X 4.0'
 STA. 539+65 28° SKEW
 STRUCTURE NO. 023-2016

REVISIONS		DATE	ILLINOIS DEPARTMENT OF TRANSPORTATION
NO.	NAME		

CULVERT DETAILS

SCALE: VERT. DRAWN BY JDC
 HORIZ. CHECKED BY
 DATE 012805

PLOT DATE: 5/18/2006
 FILE NAME: c:\pwworkspace\edgar\1418\1418.dwg
 PLOT SCALE: 1/8" = 1'-0"
 REFERENCE: 023-2016