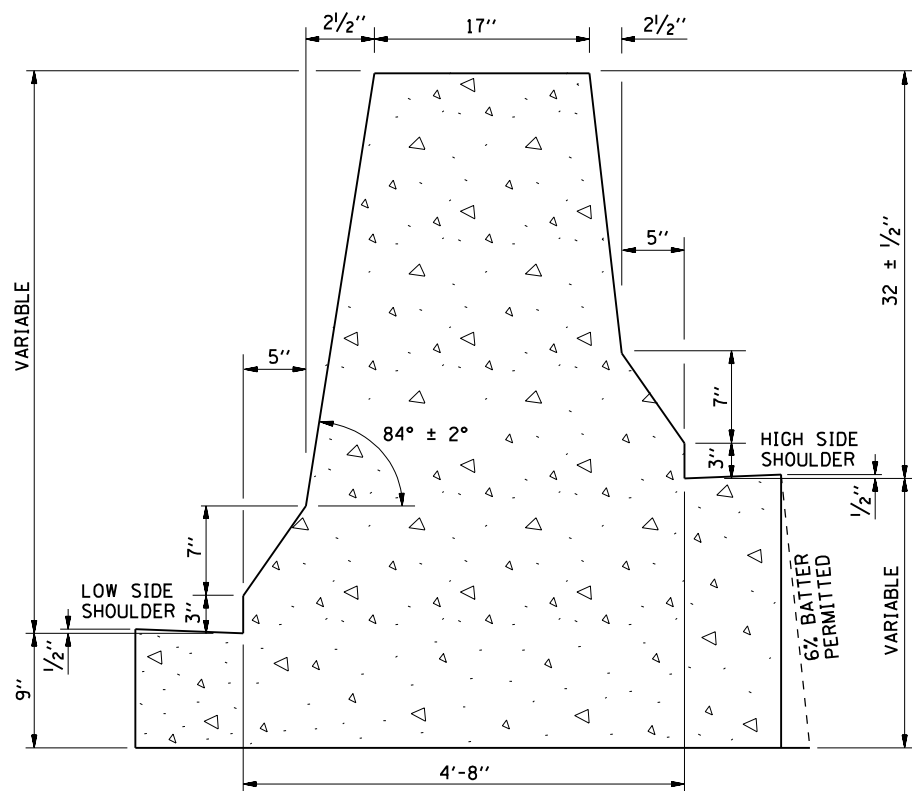


F.A.P. RTE.	SECTION	COUNTY	TOTAL SHEETS	SHEET No.
315	34-5	HANCOCK	612	219A
STA.		TO STA.		
FED. ROAD DIST. No.		ILLINOIS FED. AID PROJECT		

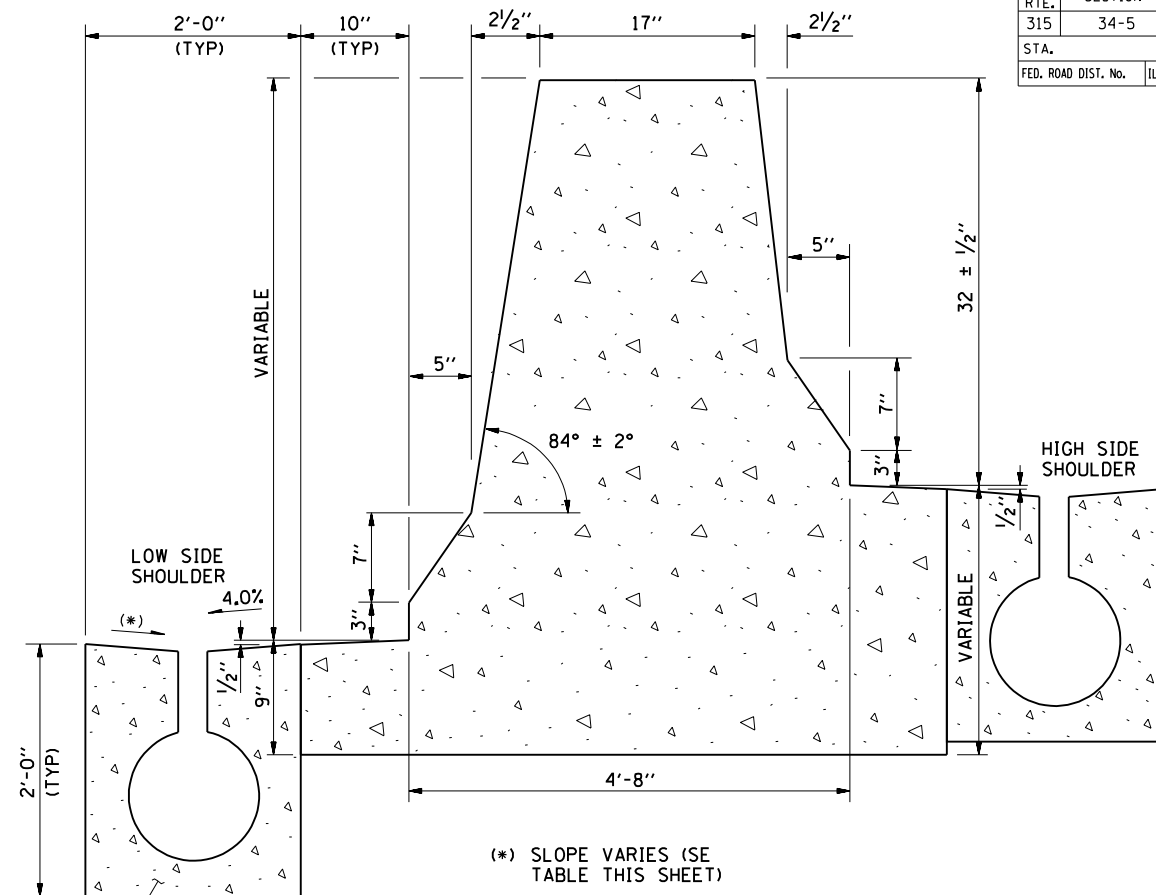


**CONCRETE MEDIAN BARRIER AND BASE, TYPE F DETAIL**

STA 1292+00 TO STA 1301+07.35

**GENERAL NOTES:**

1. PORTLAND CEMENT CONCRETE SHALL BE CLASS SI CONCRETE FOR THE BARRIER BASE AS SPECIFIED IN THE STANDARD SPECIFICATION.
2. REINFORCING BARS MEETING THE REQUIREMENTS OF ASTM 4615, GRADE 60, WILL BE USED AS TIE BARS BETWEEN THE MEDIAN BARRIER BASE AND MEDIAN BARRIER WALL. COST OF REINFORCEMENT BARS IS INCIDENTAL TO CONCRETE MEDIAN BARRIER BASE, TYPE F. NO ADDITIONAL COMPENSATION WILL BE ALLOWED.
3. CLASS SH CONCRETE SHALL BE USED TO BACKFILL AROUND SLOTTED DRAIN PIPE AS SHOWN IN THE DETAIL. THE SURFACE OF THE CLASS SH CONCRETE SHALL BE FINISHED IN ACCORDANCE WITH SECTION 483 OF THE STANDARD SPECIFICATIONS.

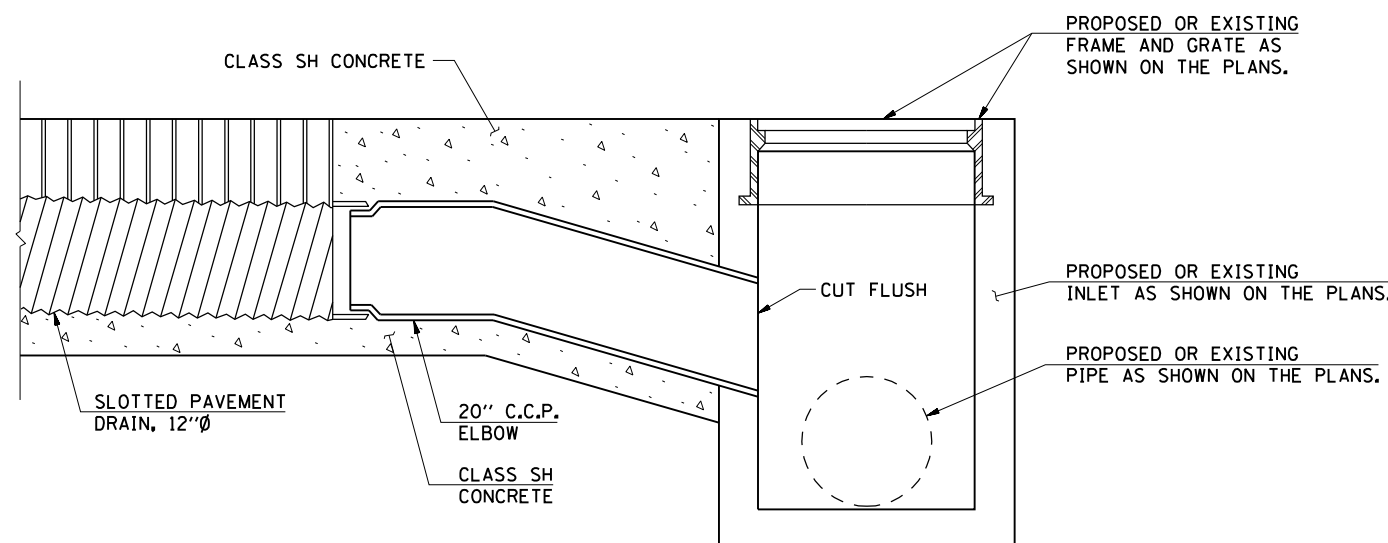


**CONCRETE MEDIAN BARRIER AND BASE, TYPE F DETAIL**

STA 1286+92 TO STA 1291+80

STATION	PROFILE GRADE LINE	LEFT			RIGHT		
		FLOW LINE	EDGE OF BASE	EDGE OF BARRIER	FLOW LINE	EDGE OF BASE	EDGE OF BARRIER
		ELEV	ELEV	ELEV	ELEV	ELEV	ELEV
1287+00	543.43	543.12	543.16	543.19	542.59	542.63	542.67
1287+20	543.31	543.00	543.04	543.07	542.51	542.55	542.59
1287+40	543.19	542.88	542.92	542.95	542.43	542.47	542.50
1287+60	543.09	542.78	542.82	542.85	542.37	542.41	542.44
1287+80	542.99	542.68	542.72	542.75	542.31	542.35	542.38
1288+00	542.91	542.60	542.64	542.67	542.27	542.31	542.34
1288+20	542.82	542.51	542.55	542.58	542.22	542.26	542.30
1288+40	542.75	542.44	542.48	542.51	542.20	542.24	542.27
1288+60	542.68	542.37	542.41	542.44	542.17	542.21	542.25
1288+80	542.62	542.31	542.35	542.38	542.16	542.20	542.23
1289+00	542.57	542.26	542.30	542.33	542.15	542.19	542.22
1289+20	542.52	542.21	542.25	542.28	542.14	542.18	542.21
1289+40	542.49	542.18	542.22	542.25	542.14	542.18	542.21
1289+60	542.46	542.15	542.19	542.22	542.13	542.17	542.20
1289+80	542.44	542.13	542.17	542.20	542.12	542.16	542.19
1290+00	542.42	542.07	542.11	542.15	542.13	542.17	542.20
1290+20	542.41	542.04	542.08	542.11	542.15	542.19	542.22
1290+31.39	542.41	542.02	541.98	541.94	542.17	542.14	542.10
1290+40	542.41	542.02	542.06	542.09	542.17	542.21	542.25
1290+60	542.42	542.00	542.04	542.07	542.22	542.26	542.29
1290+80	542.43	541.98	542.02	542.06	542.25	542.29	542.32
1291+00	542.46	541.99	542.03	542.06	542.30	542.34	542.38
1291+20	542.48	542.01	542.05	542.08	542.32	542.36	542.40
1291+40	542.52	542.05	542.09	542.12	542.36	542.40	542.44
1291+60	542.56	542.09	542.13	542.16	542.40	542.44	542.48
1291+80	542.61	542.14	542.18	542.21	542.45	542.49	542.53
1292+00	542.68	542.21	542.25	542.28	542.52	542.56	542.60
1292+20	542.74	542.27	542.31	542.34	542.58	542.62	542.66
1292+40	542.81	542.34	542.38	542.41	542.65	542.69	542.73
1292+60	542.89	542.42	542.46	542.49	542.73	542.77	542.81
1292+80	542.98	542.51	542.55	542.58	542.82	542.86	542.90
1293+00	543.08	542.61	542.65	542.68	542.92	542.96	543.00
1293+20	543.18	542.71	542.75	542.78	543.02	543.06	543.10
1293+40	543.29	542.82	542.86	542.89	543.13	543.17	543.21
1293+60	543.41	542.94	542.98	543.01	543.25	543.29	543.33
1293+80	543.53	543.06	543.10	543.13	543.37	543.41	543.45

STATION	PROFILE GRADE LINE	LEFT			RIGHT		
		FLOW LINE	EDGE OF BASE	EDGE OF BARRIER	FLOW LINE	EDGE OF BASE	EDGE OF BARRIER
		ELEV	ELEV	ELEV	ELEV	ELEV	ELEV
1294+00	543.67	543.20	543.14	543.11	543.51	543.49	543.46
1294+20	543.81	543.34	543.28	543.25	543.65	543.63	543.60
1294+40	543.95	543.48	543.42	543.39	543.79	543.77	543.74
1294+60	544.11	543.64	543.58	543.55	543.95	543.93	543.90
1294+80	544.27	543.80	543.74	543.71	544.11	544.09	544.06
1295+00	544.44	543.97	543.91	543.88	544.28	544.26	544.23
1295+20	544.60	544.14	544.08	544.04	544.44	544.41	544.38
1295+40	544.75	544.32	544.26	544.23	544.55	544.53	544.50
1295+60	544.87	544.46	544.41	544.38	544.65	544.62	544.59
1295+80	545.01	544.63	544.58	544.55	544.76	544.73	544.69
1296+00	545.13	544.78	544.73	544.70	544.86	544.82	544.79
1296+20	545.23	544.91	544.86	544.83	544.93	544.89	544.86
1296+40	545.33	545.00	544.96	544.93	545.02	544.98	544.94
1296+60	545.41	545.06	545.02	544.99	545.10	545.06	545.02
1296+80	545.48	545.11	545.07	545.04	545.17	545.13	545.09
1297+00	545.54	545.14	545.10	545.06	545.23	545.19	545.15
1297+20	545.58	545.13	545.09	545.06	545.27	545.23	545.19
1297+40	545.62	545.13	545.09	545.06	545.31	545.27	545.23
1297+60	545.64	545.10	545.06	545.03	545.33	545.29	545.25
1297+80	545.66	545.08	545.04	545.01	545.35	545.31	545.27
1298+00	545.66				545.35	545.31	545.27
1298+20	545.65				545.34	545.30	545.26
1298+40	545.63				545.32	545.28	545.24
1298+60	545.60				545.29	545.25	545.21
1298+80	545.55				545.24	545.20	545.16
1299+00	545.50				545.19	545.15	545.11
1299+20	545.44				545.13	545.09	545.05
1299+40	545.38				545.07	545.03	544.99
1299+60	545.32				545.01	544.97	544.93
1299+80	545.26				544.95	544.91	544.87
1300+00	545.20				544.89	544.85	544.81
1300+20	545.14				544.83	544.79	544.75
1300+40	545.08				544.77	544.73	544.69
1300+60	545.02				544.71	544.67	544.63
1300+80	544.96				544.65	544.61	544.57
1301+00	544.90				544.59	544.55	544.51



**SECTION B-B**

REVISIONS	
NAME	DATE

ILLINOIS DEPARTMENT OF TRANSPORTATION

**CONCRETE BARRIER DETAILS**

SCALE: DATE: MARCH 10, 2006

DRAWN BY: RG CHECKED BY: JAC