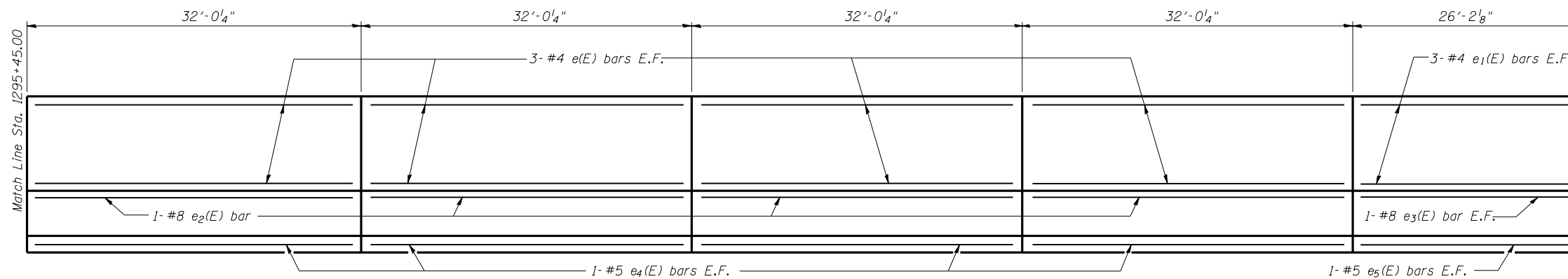


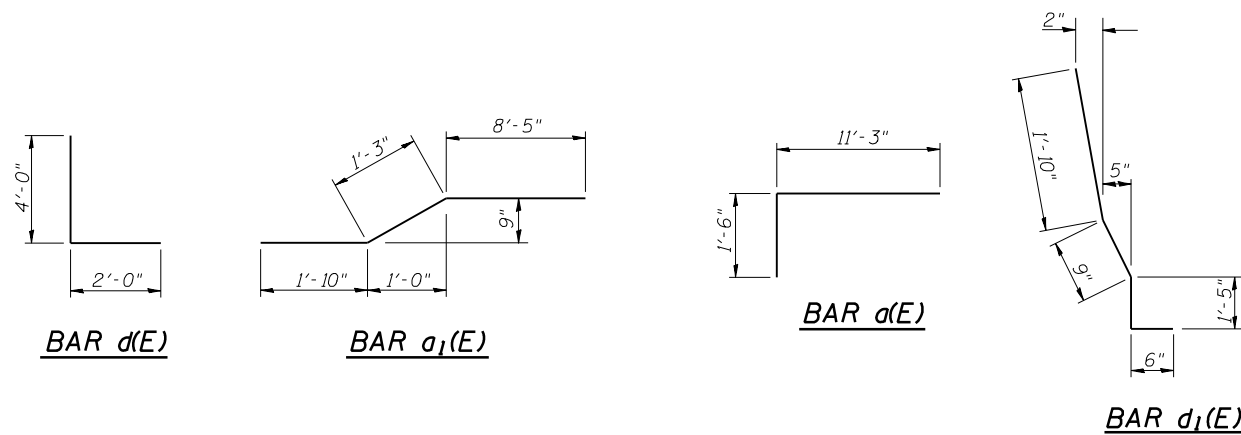
ELEVATION OF PARAPET
(Dimensions Along Inside Face) (Looking North)



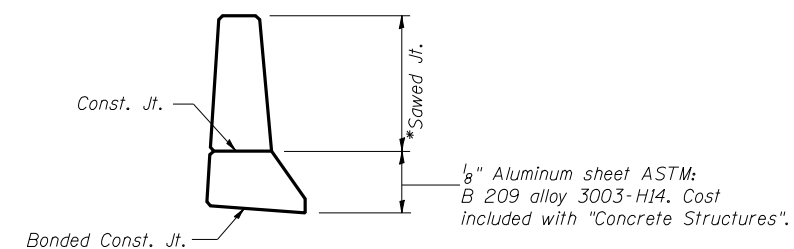
ELEVATION OF PARAPET
(Dimensions Along Inside Face) (Looking North)

BILL OF MATERIAL

Bar	No.	Size	Length (ft)	Shape
d(E)	416	#7	12'-9"	
a1(E)	416	#6	11'-6"	
b(E)	130	#5	33'-6"	
b1(E)	132	#5	33'-0"	
b2(E)	174	#7	2'-0"	
d(E)	378	#4	6'-0"	
d1(E)	378	#5	4'-6"	
e(E)	60	#4	31'-8"	
e1(E)	6	#4	25'-9"	
e2(E)	20	#8	31'-8"	
e3(E)	2	#8	25'-9"	
e4(E)	20	#5	31'-8"	
e5(E)	2	#5	25'-9"	
Concrete Structures			Cu. Yd.	218.2
Reinforcement Bars, Epoxy Coated			Pound	35,030



*Saw cut completely through the parapet down to aluminum sheet.
Cost included with Concrete Structures.



PARAPET JOINT DETAIL

Work this sheet with sheets 9 and 10 of 18.

ILLINOIS DEPARTMENT OF TRANSPORTATION	
SHEET TITLE: PARAPET JOINT DETAILS	
STRUCTURE NUMBER 037-0069 STRUCTURE HANCOCK NUMBER 854-0089	
PROJECT: FAP ROUTE 315 (IL 336/US 136) SECTION 34-5(5B) HANCOCK COUNTY STA. 1293+50.00(R) TO STA. 1297+00.00(R) STRUCTURE NUMBER 034-2521	PROJECT NO. 02076-R SCALE 9450 DATE 12/22/05 DRAWN BY TFG CHECKED BY BD/MCB DRAWING NO.
COOMBE-BLOXDORF P.C. Engineers / Land Surveyors Springfield, Illinois Design Firm License No. 184-002703	10 OF 18 SHTS