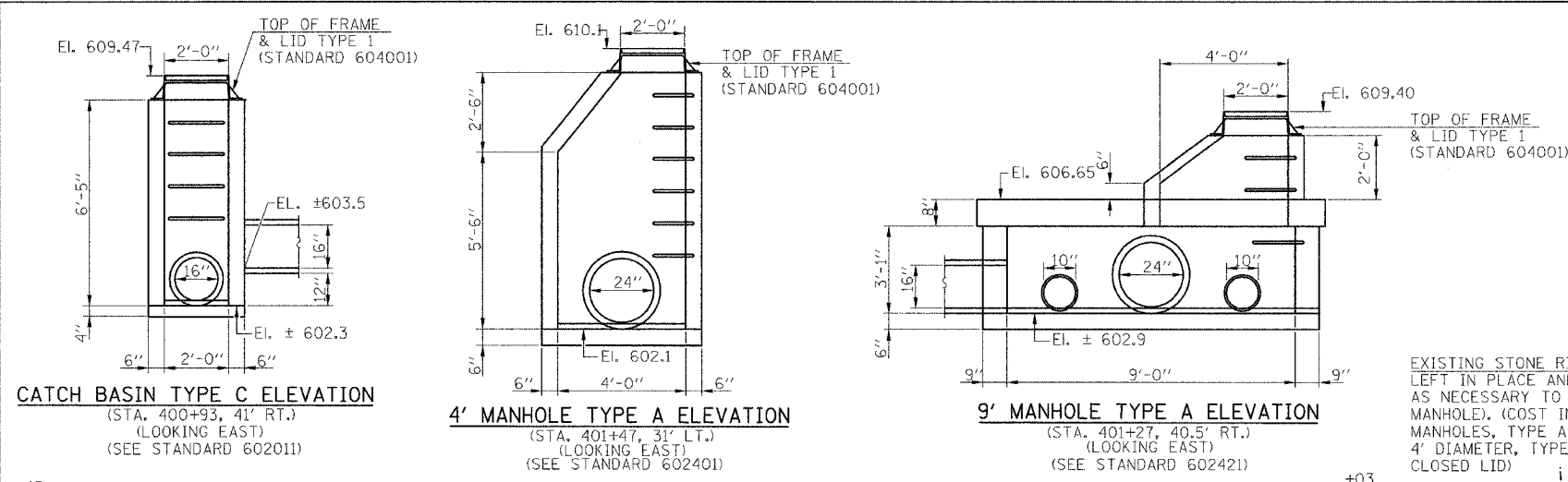


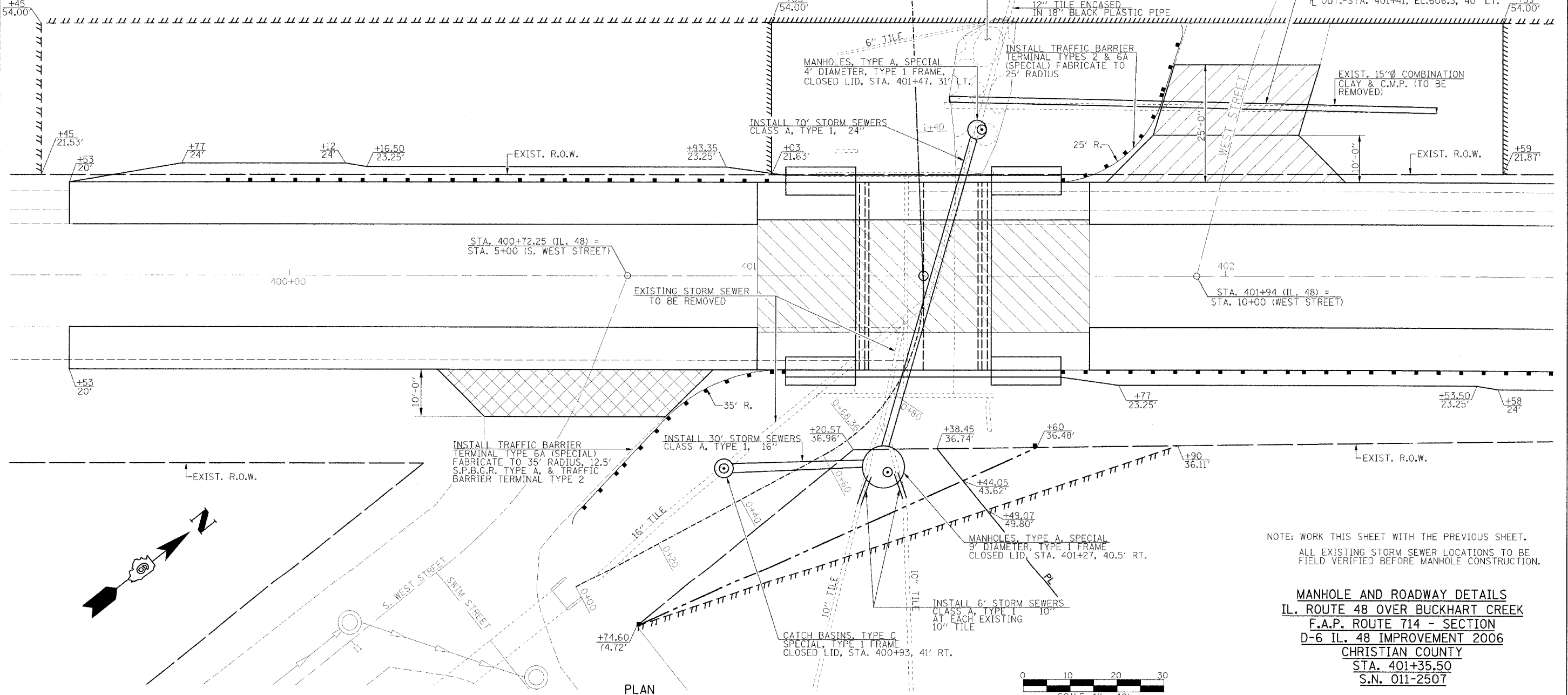
F.A.P. RTE.	SECTION	COUNTY	TOTAL SHEETS	SHEET NO.
714	*	CHRISTIAN	94	28
STA. 401+00 TO STA. 401+71				
FED. ROAD DIST. NO. ILLINOIS FED. AID PROJECT				
* D-6 IL. 48 IMPROVEMENT 2006				



- INDICATES BITUMINOUS SURFACE REMOVAL - BUTT JT.
- INDICATES BITUMINOUS SURFACE REMOVAL
- INDICATES PAVEMENT REMOVAL LIMITS
- INDICATES TEMPORARY RIGHT OF WAY EASEMENT
- INDICATES PERMANENT RIGHT OF WAY EASEMENT
- INDICATES PROPOSED DITCH FLOW
- INDICATES PROPOSED RIGHT OF WAY
- INDICATES PROPOSED RIGHT OF WAY MARKER

**BUCKHART CREEK LAYOUT TABLE**

LOCATION (BUCKHART CREEK)	LOCATION (IL. 48)	OFFSET	ELEVATION
STA. 0+00 =	STA. 400+61.3	66.65' RT.	606.80
STA. 0+20 =	STA. 400+78.9	57.16' RT.	606.74
STA. 0+40 =	STA. 400+96.5	47.66' RT.	606.68
STA. 0+60 =	STA. 401+14.2	38.17' RT.	606.62
STA. 0+68.36 =	STA. 401+21.1	33.52' RT.	606.59
STA. 0+80 =	STA. 401+28.8	24.88' RT.	606.37
STA. 1+40 =	STA. 401+34.2	30.68' LT.	606.31



NOTE: WORK THIS SHEET WITH THE PREVIOUS SHEET.  
ALL EXISTING STORM SEWER LOCATIONS TO BE FIELD VERIFIED BEFORE MANHOLE CONSTRUCTION.

**MANHOLE AND ROADWAY DETAILS**  
**IL. ROUTE 48 OVER BUCKHART CREEK**  
**F.A.P. ROUTE 714 - SECTION**  
**D-6 IL. 48 IMPROVEMENT 2006**  
**CHRISTIAN COUNTY**  
**STA. 401+35.50**  
**S.N. 011-2507**