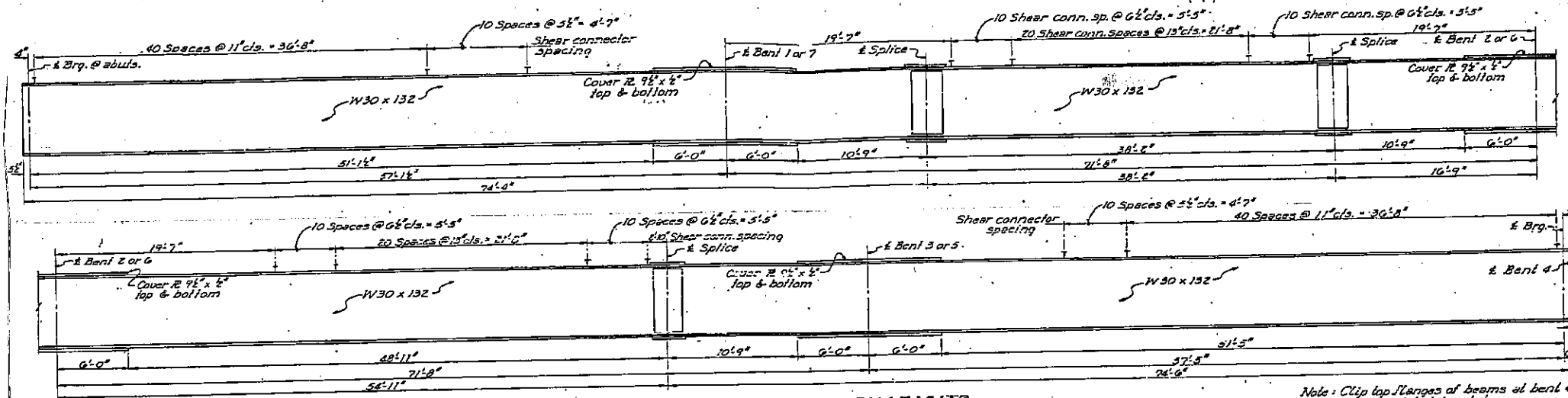


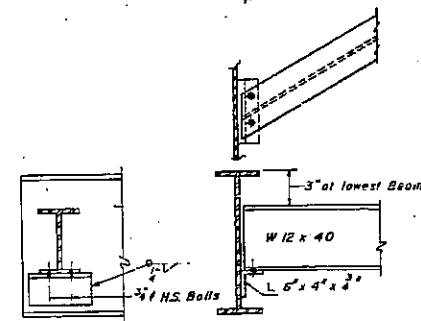
STATE OF ILLINOIS

DESIGNED BY	CHECKED BY	DRAWN BY	DATE	SHEET NO.	TOTAL SHEETS
IBDL	LOGAN	AS	33	11	15

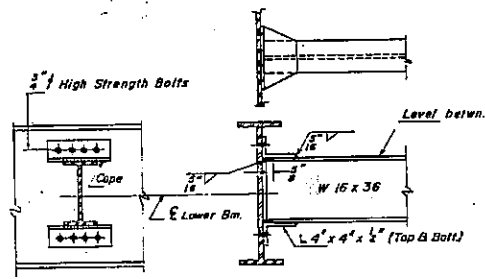


BEAM ELEVATIONS

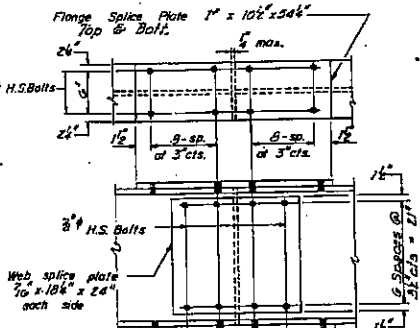
Note: Clip top flanges of beams at bent 4 to clear joint in slab.



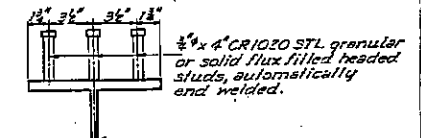
DIAPHRAGM D  
24 Required



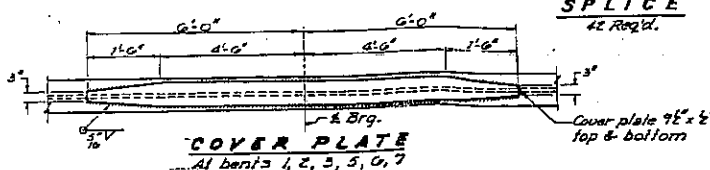
DIAPHRAGM D1  
132 Required



SPLICE  
42 Req'd.



SHEAR CONNECTOR  
1,104 Req'd. per beam



COVER PLATE  
At bents 1, 2, 3, 5, 6, 7

DESIGNED	Charles P. Klein	EXAMINED	August 5, 1971
CHECKED	Robert J. Jenkins	PASSED	Robert J. Jenkins
DRAWN	J. Schneller	APPROVED	Robert J. Jenkins
CHECKED	Robert J. Jenkins		

I-2-D 9-1-65, 8-1-70

STRUCTURAL STEEL  
CALCULATED BY  
STATISTICAL

SN 054-0027  
EXISTING BRIDGE PLANS  
FOR INFORMATION ONLY  
(NOT TO SCALE)