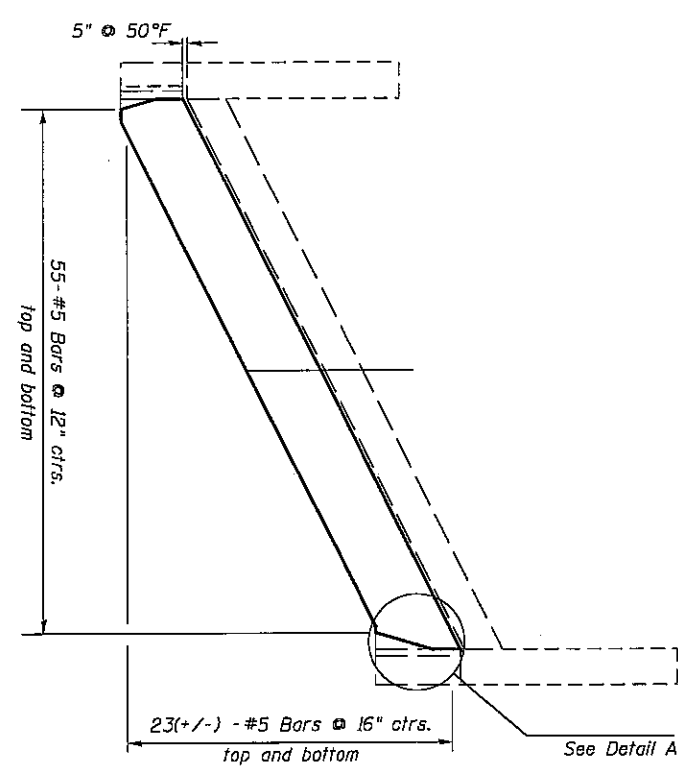
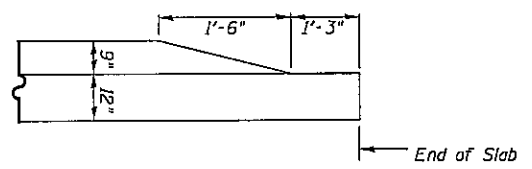


F.A.I. RTE.	SECTION	COUNTY	TOTAL SHEETS	SHEET NO.
55	(54-4B)I-3	LOGAN	10	8
STA.		TO STA.		
FED. ROAD DIST. NO. 6 ILLINOIS FED. AID PROJECT				

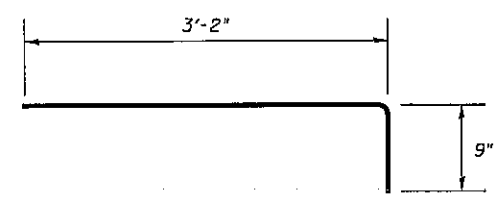
BRIDGE SHEET 6 OF 7  
CONTRACT 72A32



**NORTH ABUTMENT PLAN  
SHOWING EXISTING REINFORCEMENT**

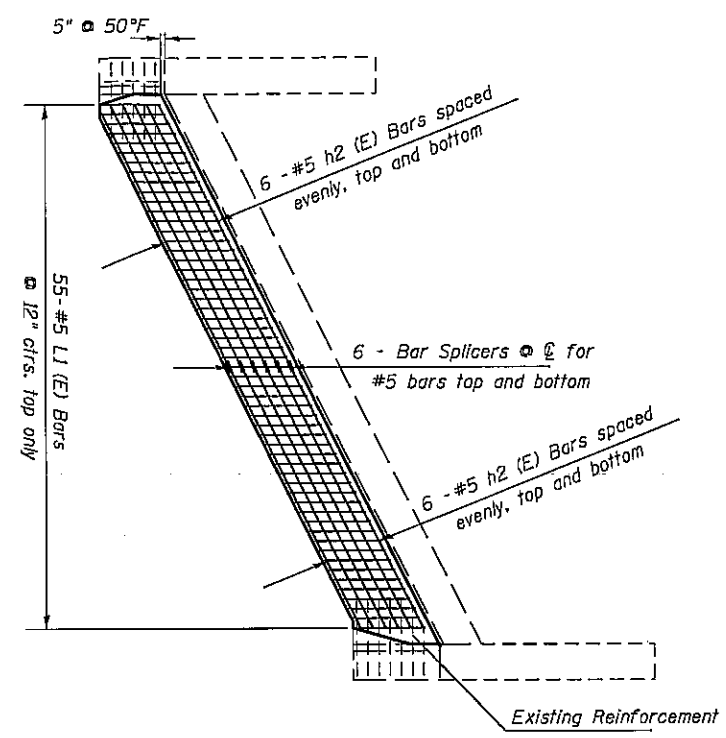


**DETAIL A**

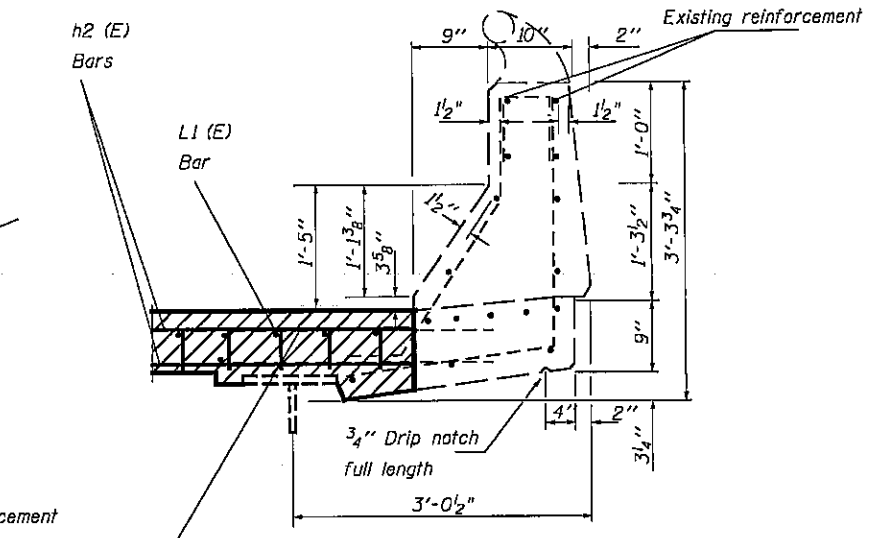


**L(E) BAR DETAIL**

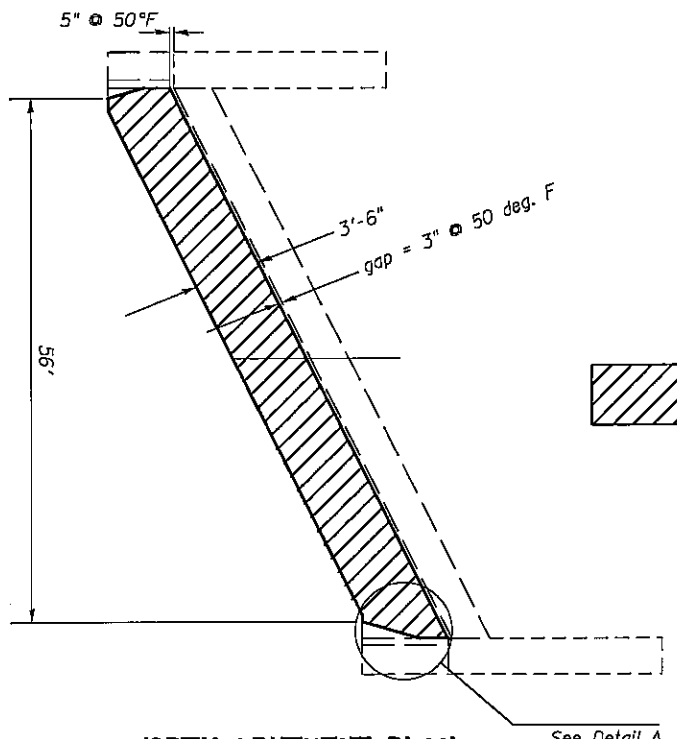
\* Existing longitudinal reinforcement shall be cleaned, straightened and incorporated into the new construction. Existing transverse reinforcement may be cut and removed.



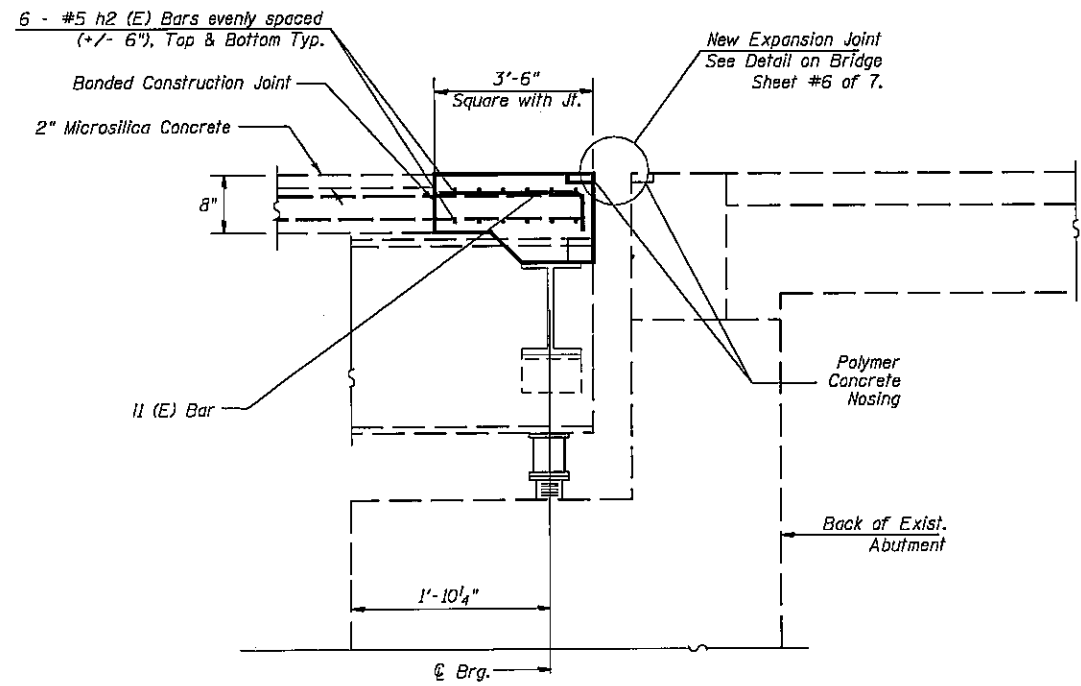
**NORTH ABUTMENT PLAN  
SHOWING PROPOSED REINFORCEMENT**



**SECTION THRU PARAPET**



**NORTH ABUTMENT PLAN  
SHOWING CONCRETE REMOVAL &  
SUPERSTRUCTURE DIMENSIONS**



**TYPICAL SECTION THRU ABUTMENT**  
(Dimensions measured at Rt. Ls.)

**BILL OF MATERIAL**

Bar	No.	Size	Length	Shape
h2 (E)	24	#5	30'-11"	—
L1 (E)	55	#5	3'-11"	┌
Silicone Jt. Sealer			Feet	64.2
Polymer Concrete			Cu. Ft.	2.35
Concrete Superstruc.			Cu. Yd.	8.05
Reinforcement Bars, Epoxy Coated			Pound	1024

Reinforcement bars designated (E) shall be epoxy coated.

NOT TO SCALE

STATE OF ILLINOIS  
DEPARTMENT OF TRANSPORTATION  
SUPERSTRUCTURE NORTH ABUT.  
NORTH BOUND LANES

LOGAN COUNTY  
SECTION (54-4B)I-3  
STATION 376+75.00  
STRUCTURE No. 054-0049  
JOINT REPLACEMENT DETAIL