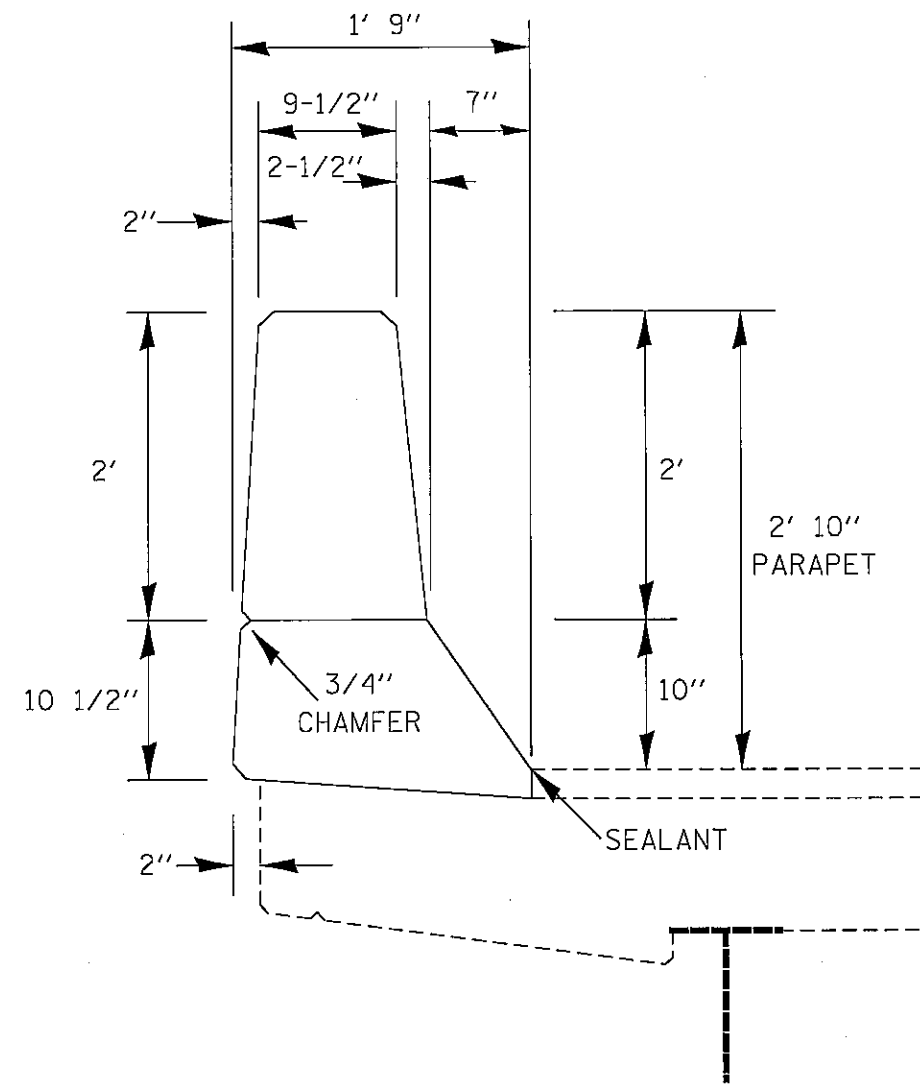
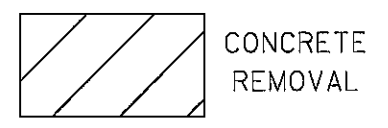


CONCRETE REMOVAL
CROSS SECTION



CONCRETE SUPERSTRUCTURE
CROSS SECTION



NOTES:

CARE SHALL BE TAKEN AT THE REMOVAL POINT WHERE THE PARAPET MEETS THE EXISTING MICROSILICA OVERLAY. THE ENGINEER MAY ELECT TO REQUIRE A SAW CUT AND/OR REMOVAL BY HAND AT THIS LOCATION IN ORDER TO ENSURE PROTECTION OF THE MICROSILICA BRIDGE DECK. AN APPROVED SEALANT AS DETAILED IN THE SPECIAL PROVISIONS SHALL BE APPLIED IN THIS AREA AFTER RECONSTRUCTION IS COMPLETE. THE CONTRACTOR SHALL INCLUDE THE PRICE OF ALL WORK DESCRIBED IN THIS NOTE IN THE BID PRICE FOR CONCRETE SUPERSTRUCTURE.

**CONTRACT 72A37
CONCRETE REMOVAL &
SUPERSTRUCTURE DETAILS
(NOT TO SCALE)**