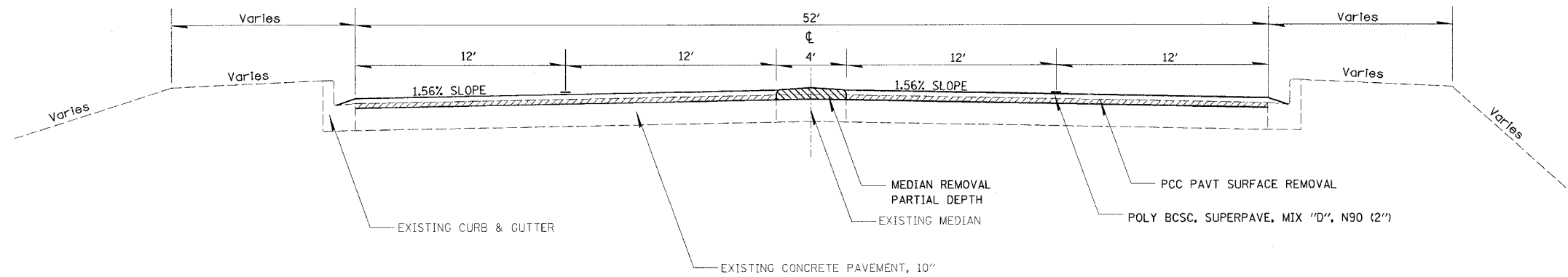


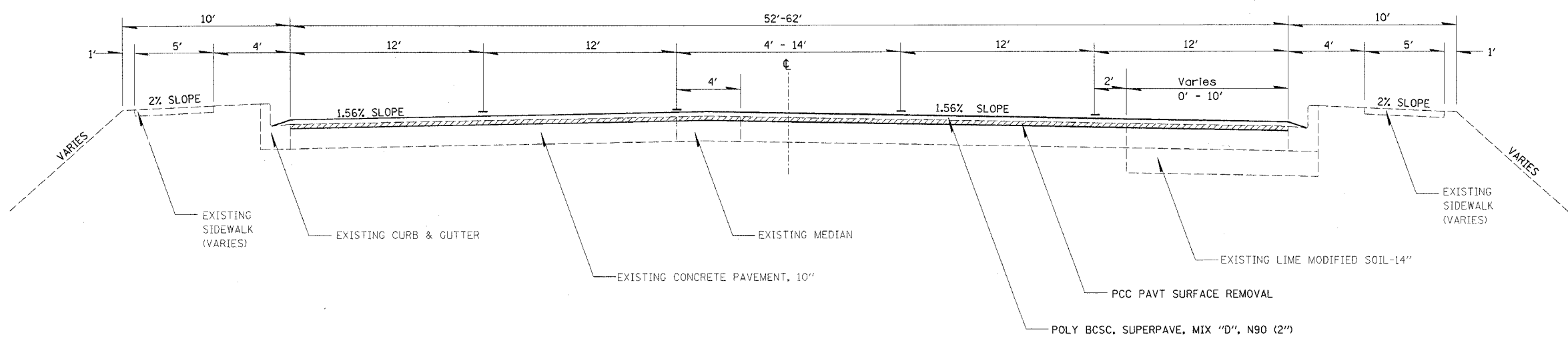
district
3/30/2006
c:\projects\74063dp\d04304pe.dgn

CONTRACT NO. 74063

F.A.P. RTE.	SECTION	COUNTY	TOTAL SHEETS	SHEET NO.
95	18RS	EFFINGHAM	13	6
STA.		TO STA.		
FED. ROAD DIST. NO.		ILLINOIS FED. AID PROJECT		



TYPICAL SECTION
STA 69+25 TO STA 70+71



TYPICAL SECTION
STA 70+71 TO STA 79+47

REVISIONS	
NAME	DATE

ILLINOIS DEPARTMENT OF TRANSPORTATION

TYPICAL SECTIONS 1

SCALE: VERT. _____
HORIZ. _____

DATE _____ DRAWN BY _____
CHECKED BY _____

PLOT DATE = 3/30/2006
PLOT SCALE = AS CALLED
USER NAME = district