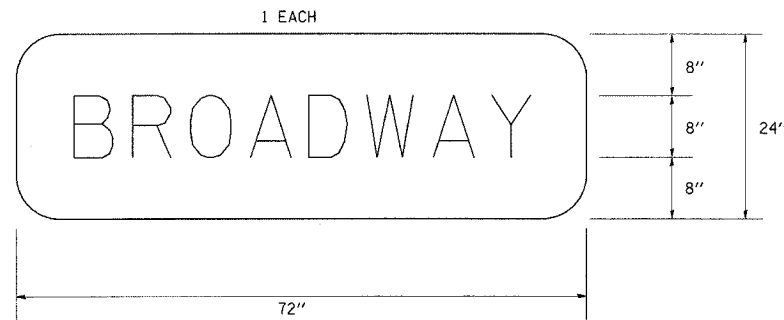
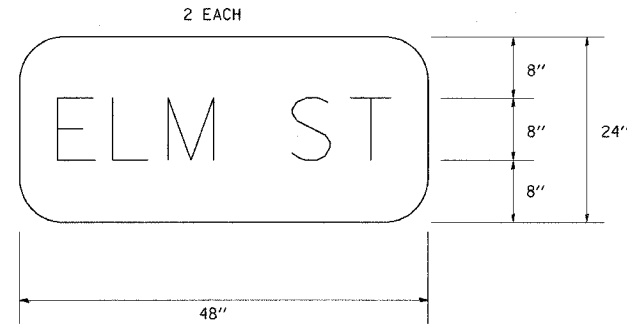


F.A. RTE.	SECTION	COUNTY	TOTAL SHEETS	SHEET NO.
*	**	MARION	17	12
STA. TO STA.				
FED. ROAD DIST. NO. ILLINOIS FED. AID PROJECT				

- VARIOUS ROUTES
- D7 SIGNAL MODERIZATION 2006-2

**BILL OF MATERIALS**  
NB U. S. RTE. 51 (ELM ST.) & BROADWAY



ITEM	UNIT	QUANTITY
PORTLAND CEMENT CONCRETE SIDEWALK, 4 INCH	SQ FT	1621.0
PORTLAND CEMENT CONCRETE SIDEWALK, 4 INCH, SPECIAL	SQ FT	319.0
COMBINATION CURB AND GUTTER REMOVAL	FOOT	11.0
SIDEWALK REMOVAL	SQ FT	1988.0
COMBINATION CONCRETE CURB AND GUTTER, TYPE B-6.18 (ABUTTING EXISTING PAVEMENT)	FOOT	11.0
SIGN PANEL-TYPE 1	SQ FT	16.0
SIGN PANEL-TYPE 2	SQ FT	12.0
SERVICE INSTALLATION, TYPE B	EACH	1.0
CONDUIT IN TRENCH, 2" DIA., PVC	FOOT	195.0
CONDUIT IN TRENCH, 4" DIA., PVC	FOOT	57.0
CONDUIT, AUGERED 4" DIA., PVC	FOOT	222.0
HANDHOLE	EACH	5.0
DOUBLE HANDHOLE	EACH	1.0
TRENCH AND BACKFILL FOR ELECTRICAL WORK	FOOT	252.0
FULL-ACTUATED CONTROLLER AND TYPEE III CABINET	EACH	1.0
ELECTRIC CABLE IN CONDUIT, SIGNAL, NO. 14 5C	FOOT	1175.0
ELECTRIC CABLE IN CONDUIT, SIGNAL, NO. 14 7C	FOOT	786.0
ELECTRIC CABLE IN CONDUIT, SERVICE, NO. 6 2C	FOOT	223.0
TRAFFIC SIGNAL POST, ALUMINUM 16 FT	EACH	3.0
TRAFFIC SIGNAL POST, ALUMINUM 18 FT.	EACH	1.0
STEEL MAST ARM ASSEMBLY AND POLE, 20 FT	EACH	1.0
STEEL MAST ARM ASSEMBLY AND POLE, 26 FT	EACH	1.0
STEEL MAST ARM ASSEMBLY AND POLE, 42 FT	EACH	1.0
CONCRETE FOUNDATION, TYPE A	FOOT	12.0
CONCRETE FOUNDATION, TYPE D	FOOT	3.0
CONCRETE FOUNDATION, TYPE E 30-INCH DIAMETER	FOOT	20.0
CONCRETE FOUNDATION, TYPE E 36-INCH DIAMETER	FOOT	13.0
TRAFFIC SIGNAL BACKPLATE, LOUVERED, FORMED PLASTIC	EACH	14.0
REMOVE EXISTING TRAFFIC SIGNAL EQUIPMENT	EACH	1.0
REMOVE EXISTING HANDHOLE	EACH	3.0
REMOVE EXISTING CONCRETE FOUNDATION	EACH	6.0
ELECTRIC CABLE IN CONDUIT, GROUNDING, NO. 6 1C	FOOT	643.0
SIGNAL HEAD, POLYCARBONATE, LED, 1-FACE, 3-SECTION, BRACKET MOUNTED	EACH	5.0
SIGNAL HEAD, POLYCARBONATE, LED, 1-FACE, 3-SECTION, MAST ARM MOUNTED	EACH	6.0
SIGNAL HEAD, POLYCARBONATE, LED, 1-FACE, 5-SECTION, MAST ARM MOUNTED	EACH	1.0
SIGNAL HEAD, POLYCARBONATE, LED, 2-FACE, 1-3-SECTION, 1-5-SECTION, BRACKET MOUNTED	EACH	1.0
PEDESTRIAN SIGNAL HEAD, POLYCARBONATE, LED, 1-FACE, BRACKET MOUNTED	EACH	4.0
PEDESTRIAN SIGNAL HEAD, POLYCARBONATE, LED, 2-FACE, BRACKET MOUNTED	EACH	2.0

PLOT DATE = 8/20/2006  
 FILE NAME = #FILEL#  
 PLOT SCALE = #SCALE#  
 USER NAME = #distrot#

REVISIONS	
NAME	DATE

ILLINOIS DEPARTMENT OF TRANSPORTATION

**BILL OF MATERIALS**  
NB U.S. 51 & BROADWAY

SCALE: VERT. \_\_\_\_\_  
 DATE: \_\_\_\_\_  
 DRAWN BY \_\_\_\_\_  
 CHECKED BY \_\_\_\_\_