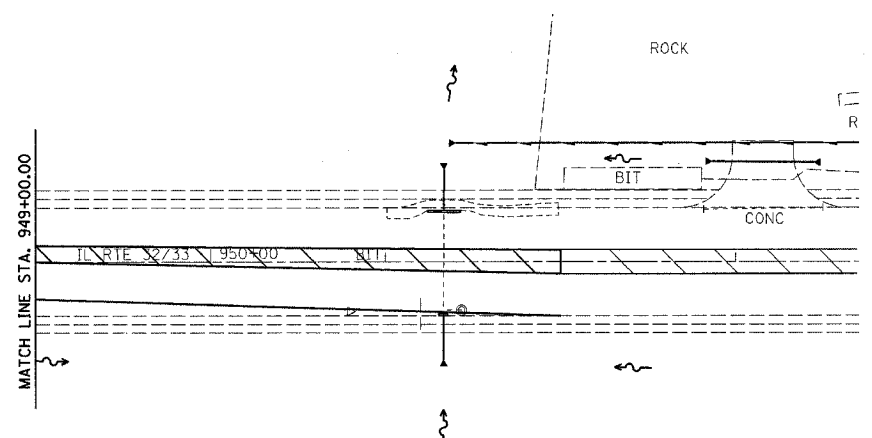
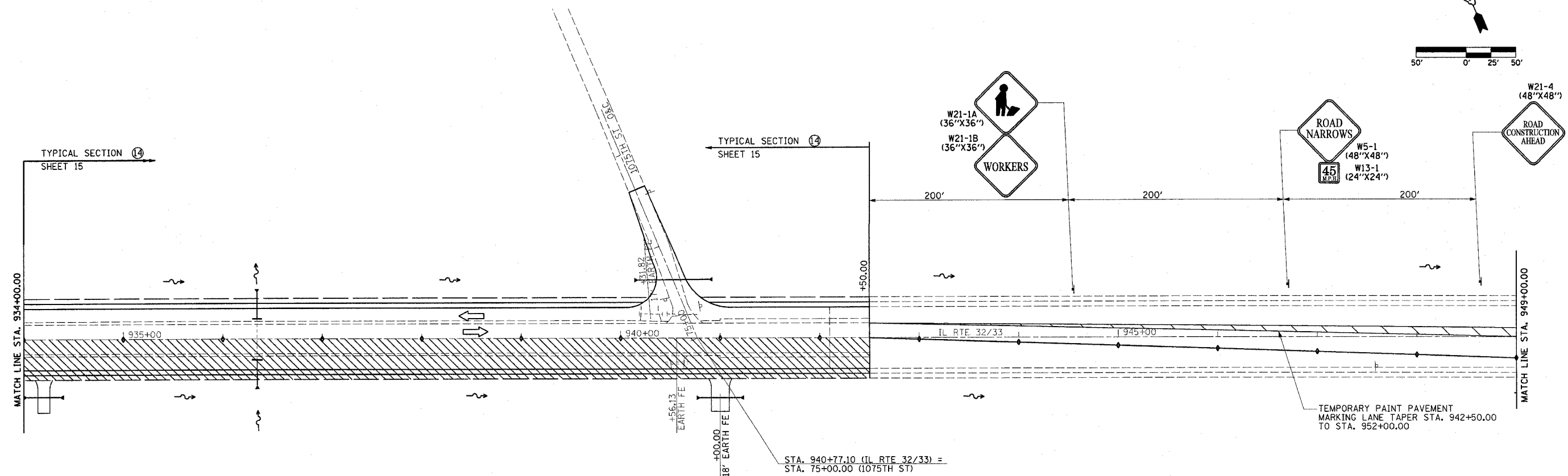
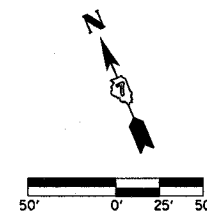


F.A.P. NO.	SECTION	COUNTY	TOTAL SHEETS	SHEET NO.
774	107 WRS-2, L	EFFINGHAM	127	33
FED. ROAD DIST. NO.	ILLINOIS	FED. AID PROJECT		

CONTRACT NO. 74130



LEGEND

- STAGE III CONSTRUCTION
- TYPE II BARRICADES, DRUMS OR VERTICAL BARRICADES

REVISIONS	
NAME	DATE

ILLINOIS DEPARTMENT OF TRANSPORTATION

TRAFFIC CONTROL
STAGE III CONSTRUCTION
SHEET 14 OF 15

DATE 8/02

DRAWN BY ASB
CHECKED BY RDW

4/19/06