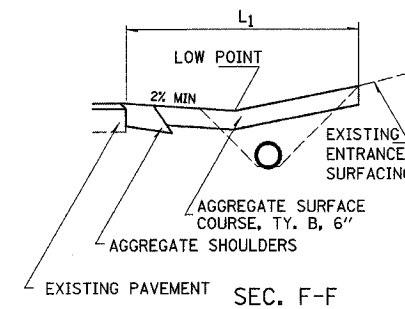
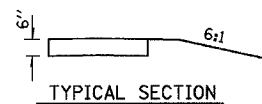
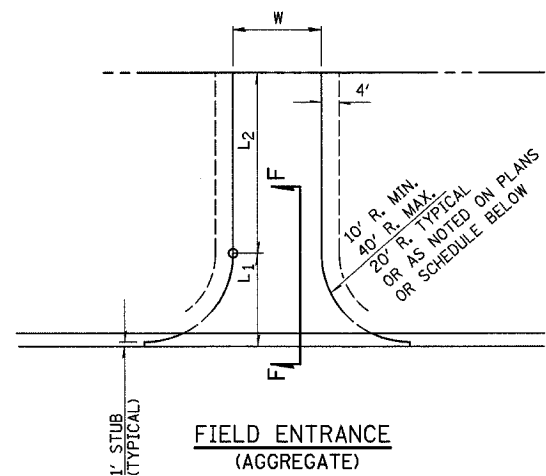


F.A.P. RTE.	SECTION	COUNTY	TOTAL SHEETS	SHEET NO.
774	(107) N	EFFINGHAM	27	7
FED. ROAD DIST. NO.	ILLINOIS	FED. AID PROJECT		

CONTRACT NO. 74131

L₁ = DISTANCE FROM EDGE OF PAVEMENT TO RADIUS POINT OR MAX. DISTANCE 30'
L₂ = DISTANCE FROM RADIUS POINT OR MAX DISTANCE 30' OFF EDGE OF PAVEMENT TO R.O.W. LINE.
NOTE: MATERIAL USED TO CONSTRUCT L₂ LENGTH SHALL BE OF THE SAME TYPE OF MATERIAL AS EXISTING ENTRANCE.



ENTRANCE SCHEDULE

EXIST SURFACE	TYPE	SIDE/ STATION	WIDTH	LENGTH		RADI	AGGREGATE	BITUMINOUS	AGGREGATE	INCID. BIT.	P.C.C.	TEMPORARY	TEMPORARY
				BASE COURSE TYPE B	BASE COURSE SUPERPAVE, 8"		SURFACE COURSE TYPE B	SURFACING, SUPERPAVE, N50	DRIVEWAY PAV'T, 6"	ACCESS (PE)	ACCESS (CE)		
				L ₁	L ₂		TON	SQ. YD.	TON	TON	SO. YD.	EACH	EACH
AGG	FE	RT/203+00.00	12'	-	184'	20'			12			1	
AGG	FE	LT/211+87.45	35'	7'	-	-			7			1	

•DGN-SPEC•
•DATE•

REVISIONS		ILLINOIS DEPARTMENT OF TRANSPORTATION RURAL ENTRANCE DETAILS & SCHEDULES DRAWN BY DIST 7 CHECKED BY BWC DATE 8/02
NAME	DATE	