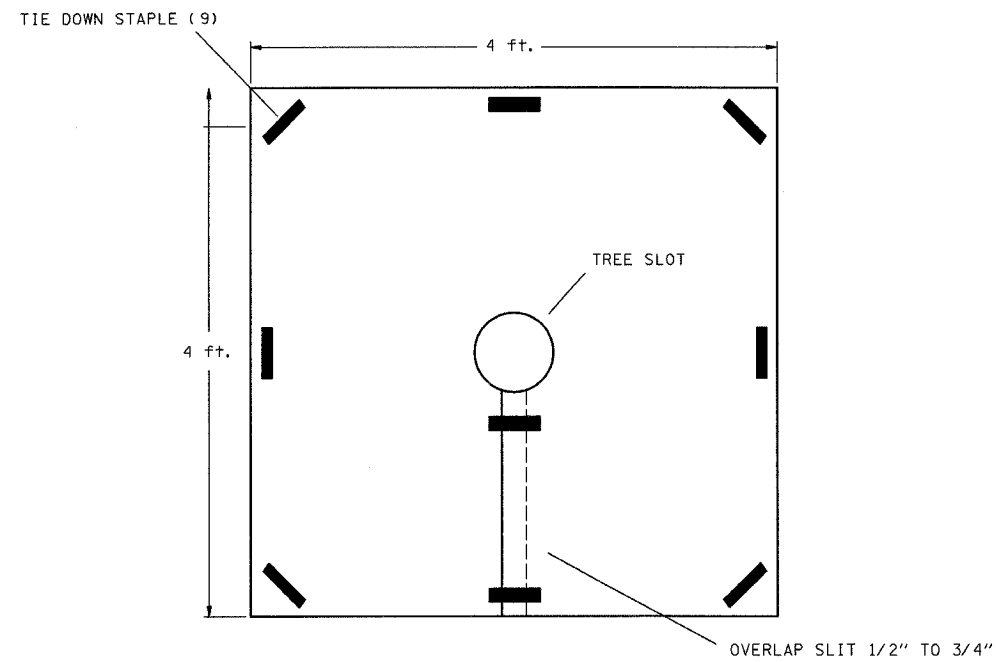
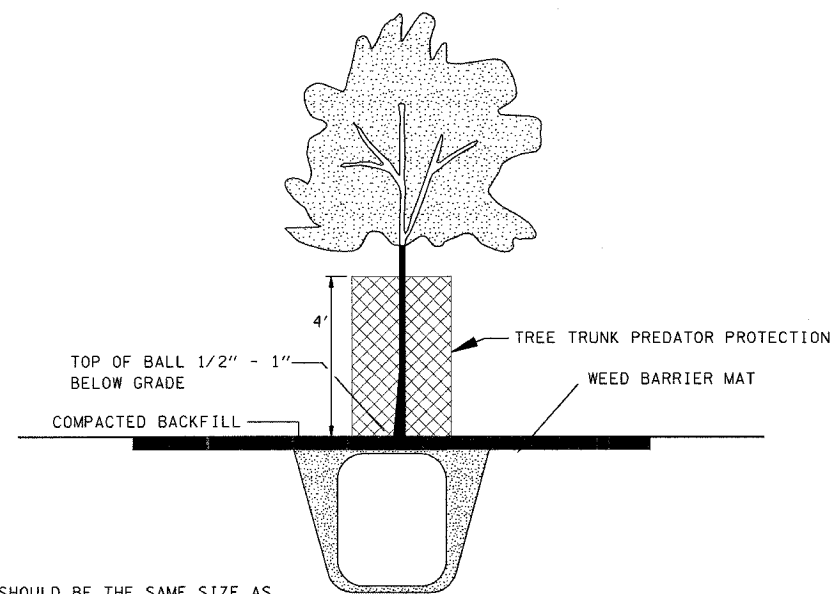


F.A.P. RTE.	SECTION	COUNTY	TOTAL SHEETS	SHEET NO.
774	•	EFFINGHAM	15	4
STA.	TO STA.			
FED. ROAD DIST. NO.	ILLINOIS FED. AID PROJECT			
• D-7 WETLAND MITIGATION - 1				

TYPICAL WEED BARRIER MAT PLAN



TYPICAL CONTAINER TREE PLANTING PLAN



NOTE:
 PIT SIZE SHOULD BE THE SAME SIZE AS THE ROOT BALL OR SLIGHTLY LARGER: THIS WILL REDUCE TIPOVER DURING FLOODING.

PLOT DATE = 4/12/2006
 PLOT SCALE = 8:SCALE
 USER NAME = DISTRICT

REVISIONS	
NAME	DATE

ILLINOIS DEPARTMENT OF TRANSPORTATION

TREE PLANTING DETAIL

SCALE: VERT.
 HORIZ.
 DATE

DRAWN BY
 CHECKED BY