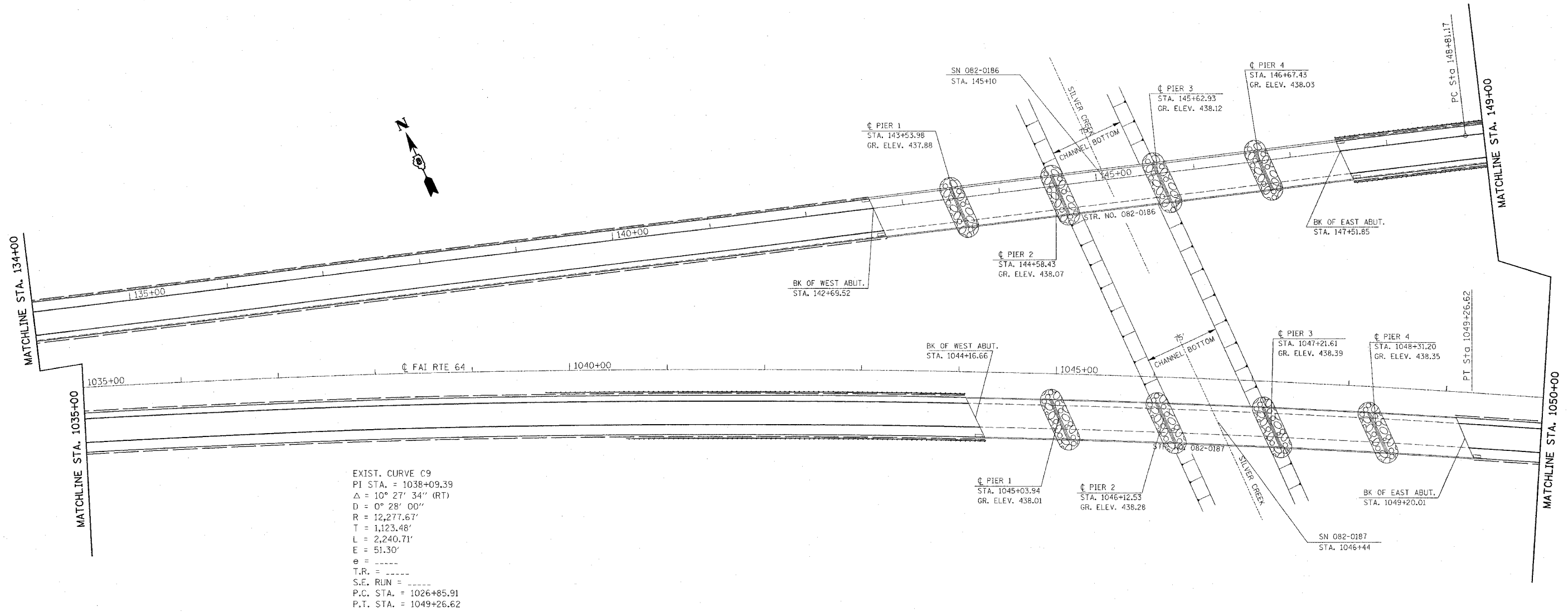


F.A.I. RTE.	SECTION	COUNTY	TOTAL SHEETS	SHEET NO.
64	82-BRS-1	ST. CLAIR	39	12
STA. 1035+00		TO STA. 1050+00		
FED. ROAD DIST. NO.		ILLINOIS	FED. AID PROJECT	

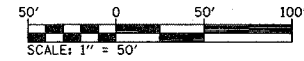
PLAN	DATE
NO.	
BY	
DATE	
NO.	
BY	
DATE	
NO.	
BY	
DATE	
NO.	

PROFILE	DATE
NO.	
BY	
DATE	
NO.	
BY	
DATE	
NO.	

PLOT DATE = 3/28/2006
 FILE NAME = c:\pcc\pccs\ed\1040\plan\plan1040.dgn
 PLOT SCALE = 50.0000 1 / IN.
 REFERENCE = REF#



EXIST. CURVE C9
 PI STA. = 1038+09.39
 $\Delta = 10^\circ 27' 34''$ (RT)
 $D = 0^\circ 28' 00''$
 $R = 12,277.67'$
 $T = 1,123.48'$
 $L = 2,240.71'$
 $E = 51.30'$
 $e =$ -----
 $T.R. =$ -----
 $S.E. RUN =$ -----
 $P.C. STA. = 1026+85.91$
 $P.T. STA. = 1049+26.62$



REVISIONS	
NAME	DATE

ILLINOIS DEPARTMENT OF TRANSPORTATION
PLAN SHEET
 FAI ROUTE 64
 SECTION 82-BRS-1
 ST. CLAIR COUNTY
 DRAWN BY: