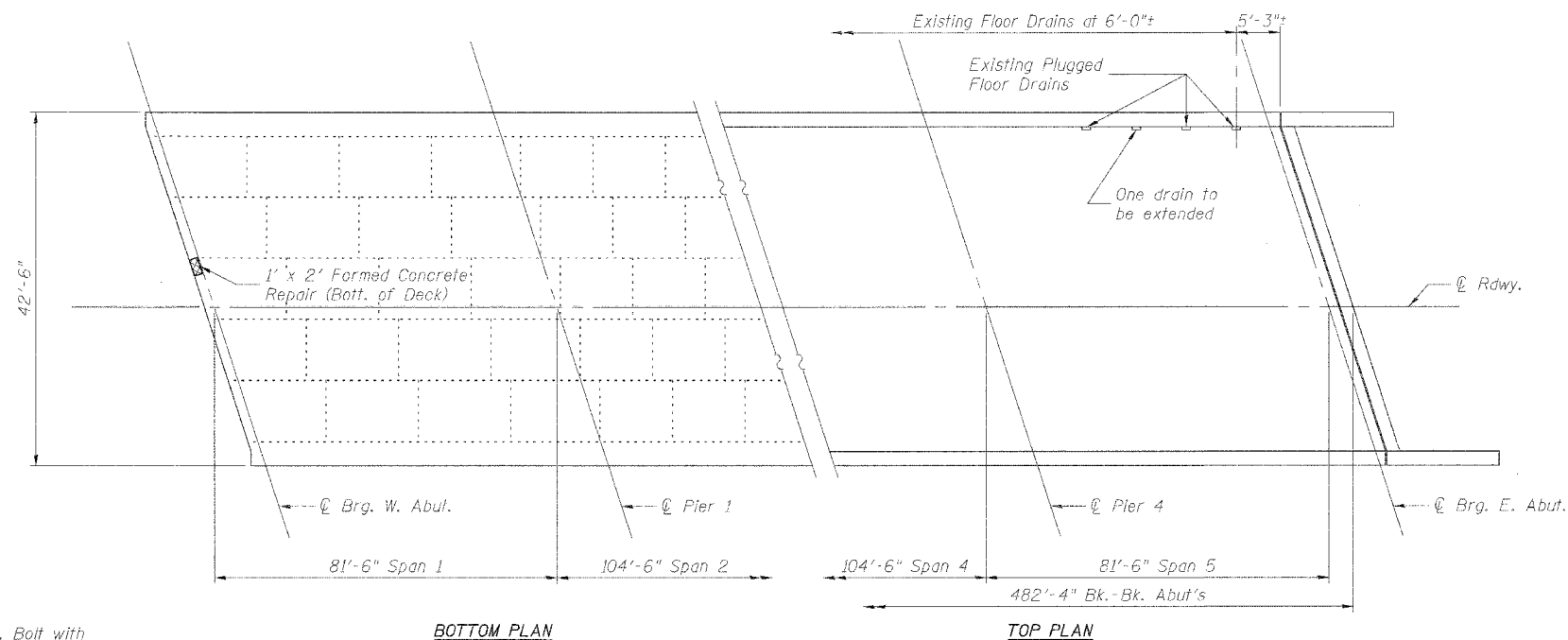


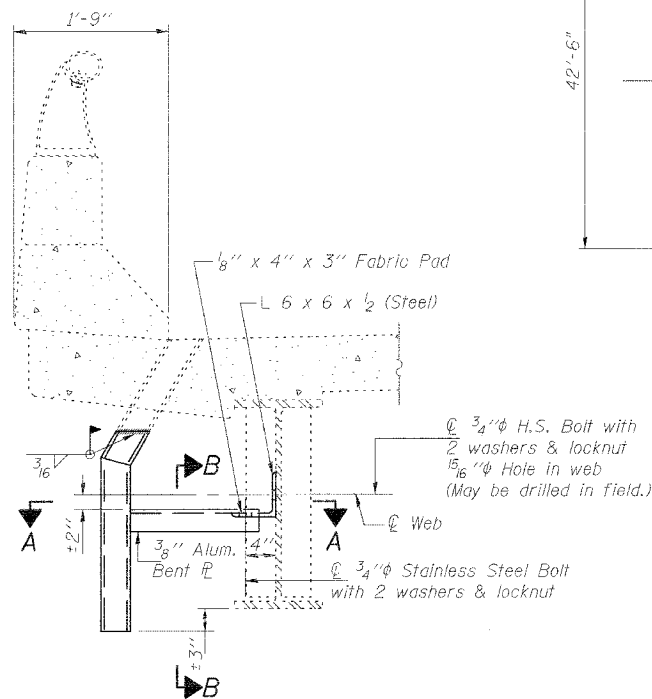
STATE OF ILLINOIS  
DEPARTMENT OF TRANSPORTATION

SHEET 2  
OF 3

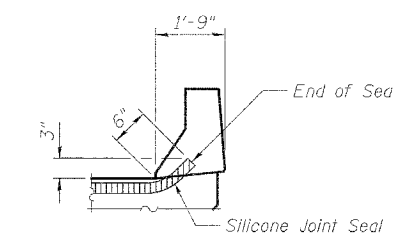
|                     |          |                  |              |           |
|---------------------|----------|------------------|--------------|-----------|
| F.A.I. RTE.         | SECTION  | COUNTY           | TOTAL SHEETS | SHEET NO. |
| 64                  | 82-8B    | ST. CLAIR        | 39           | 27        |
| FED. ROAD DIST. NO. | ILLINOIS | FED. AID PROJECT |              |           |
| CONTRACT NO. 76037  |          |                  |              |           |



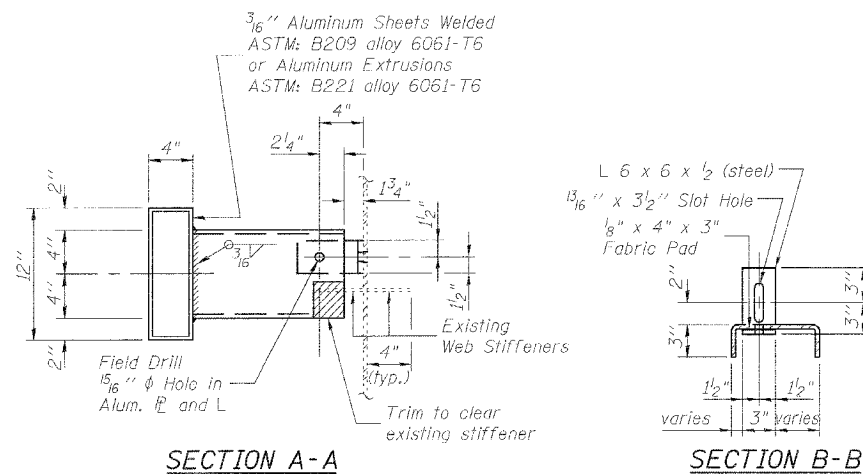
PARTIAL DECK PLAN



SECTION AT DRAIN EXTENSION

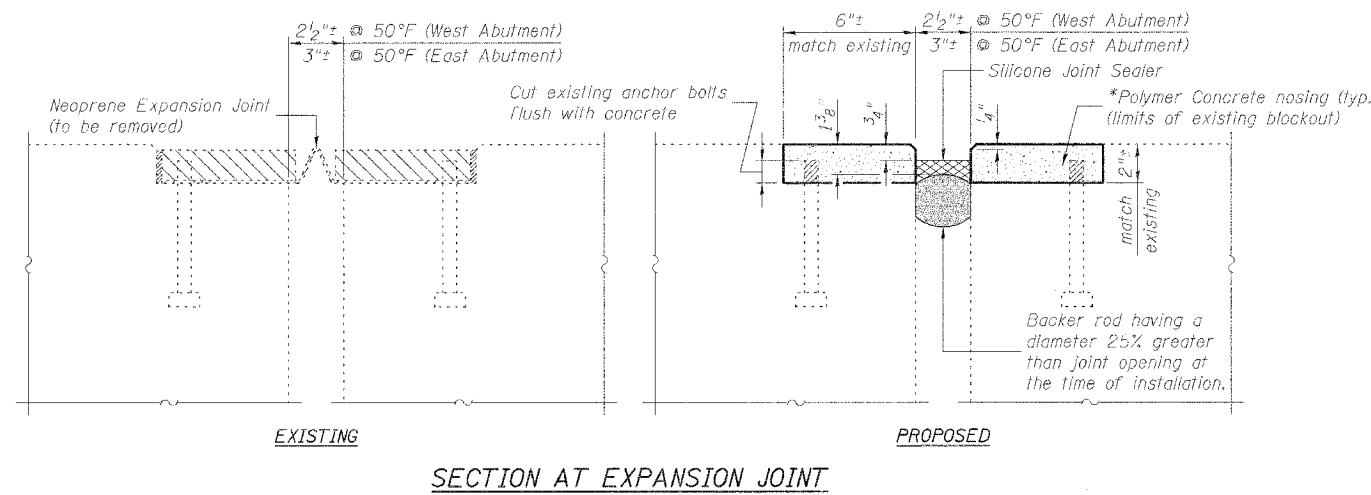


TYPICAL END OF SEAL TREATMENT AT EXPANSION JOINT



SECTION A-A

SECTION B-B



EXISTING

PROPOSED

SECTION AT EXPANSION JOINT

BILL OF MATERIAL

|                                      |         |      |
|--------------------------------------|---------|------|
| Floor Drain Extension                | Each    | 1    |
| Formed Concrete Repair (Depth = <5") | Sq. Ft. | 2    |
| Concrete Sealer                      | Sq. Yd. | 2526 |
| Silicone Joint Sealer, 2.5"          | Foot    | 44   |
| Silicone Joint Sealer, 3"            | Foot    | 44   |
| Polymer Concrete                     | Cu. Ft. | 12   |

SUPERSTRUCTURE  
FAI 64 (WB) OVER  
SILVER CREEK  
FAI ROUTE 64 SECTION 82-8B  
ST. CLAIR COUNTY  
STATION 145+10 (WB)  
STRUCTURE NO. 082-0186

**JD** Johnson, Depp & Quisenberry  
CONSULTING ENGINEERS  
Springfield, Illinois

|               |                  |
|---------------|------------------|
| DESIGNED: CDB | DRAWN: P. Roy    |
| CHECKED: DCD  | CHECKED: CDB/DCD |

FILE: F:\NID039 IL-DBV\4-1-64 Bridge Repairs (S&P)\2-SNOB6-SilverCreek-WB-02superstr.dgn  
USER: P. Roy  
DATE: 03/10/2006 09:58:04