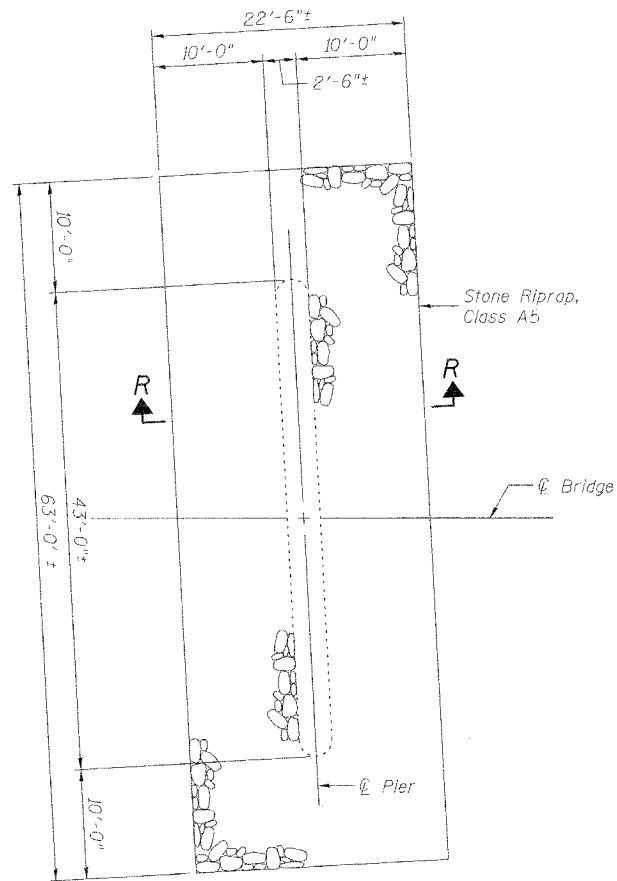


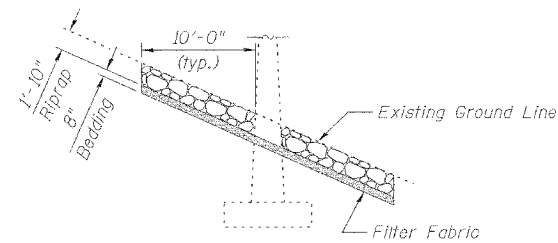
STATE OF ILLINOIS
DEPARTMENT OF TRANSPORTATION

SHEET 3
OF 3

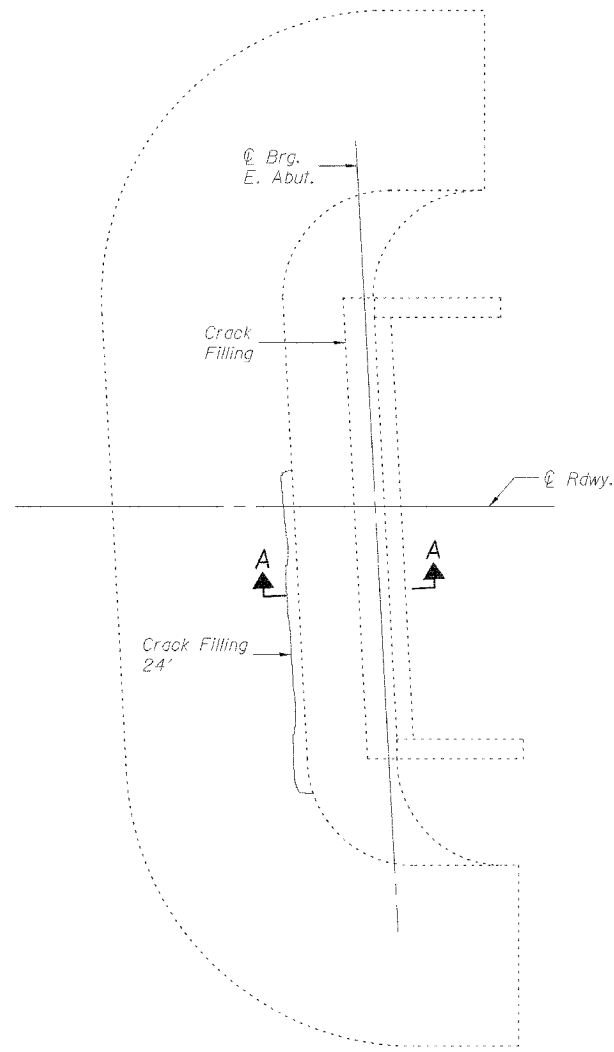
F.A.I. RTE.	SECTION	COUNTY	TOTAL SHEETS	SHEET NO.
64	82-8B	ST. CLAIR	39	37
FED. ROAD DIST. NO.	ILLINOIS	FED. AID PROJECT	CONTRACT NO. 76037	



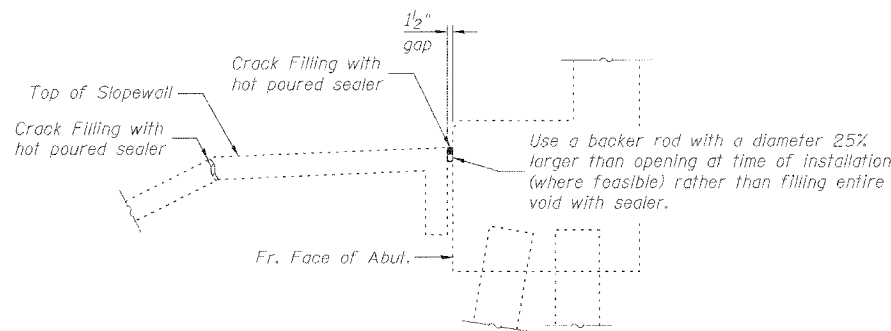
PLAN - RIPRAP AT PIERS
(Typical at Each Pier)



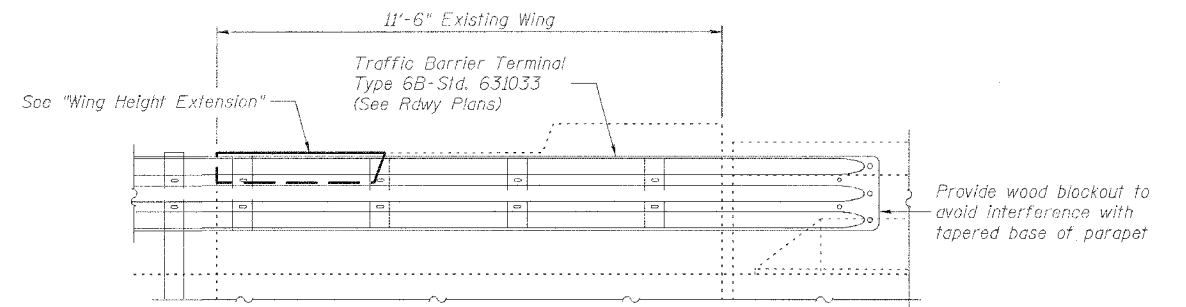
SECTION R-R



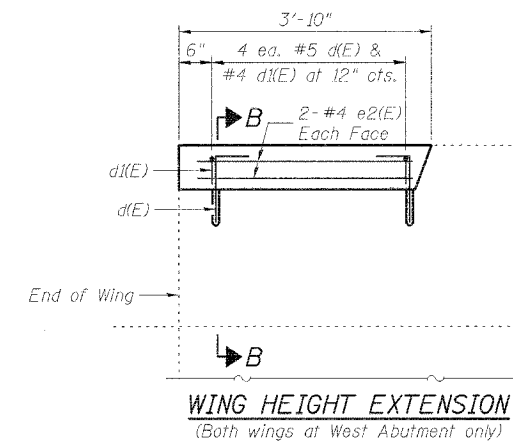
PLAN OF EAST SLOPEWALL



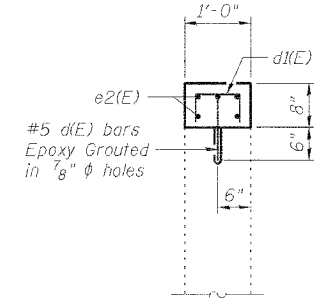
SECTION A-A



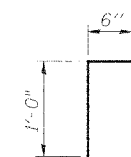
PROPOSED GUARDRAIL CONNECTION AT WEST ABUT.
(Replace existing guardrail connection)



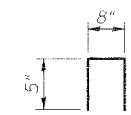
WING HEIGHT EXTENSION
(Both wings at West Abutment only)



SECTION B-B



BAR d(E)



BAR d(E)

BILL OF MATERIAL

Bar	No.	Size	Length	Shape
d(E)	8	#5	1'-6"	L
d(E)	8	#4	1'-6"	Π
e2(E)	8	#4	3'-3"	—
Stone Riprap, Class A5			Sq. Yd.	292
Filter Fabric			Sq. Yd.	292
Joint or Crack Filling			Pound	313
Concrete Structures			Cu. Yd.	0.2
Reinforcement Bars, Epoxy Coated			Pound	40

SUBSTRUCTURE DETAILS

FAI 64 (EB) OVER
LITTLE SILVER CREEK
FAI ROUTE 64 SECTION 82-8B
ST. CLAIR COUNTY
STATION 1062+56
STRUCTURE NO. 082-0189

JD Johnson, Depp & Quisenberry
CONSULTING ENGINEERS
Springfield, Illinois

DESIGNED: CDB	DRAWN: P. Ray
CHECKED: DCD	CHECKED: CDB/DCD

FILE: F:\1039 IL-DBVV4 1-64 Bridge Repairs (set)\AS-SN0189-LittleSilverCr-EB 03.pier.dgn

USER: P. Ray

DATE: 03/07/2006 - 14:02:21