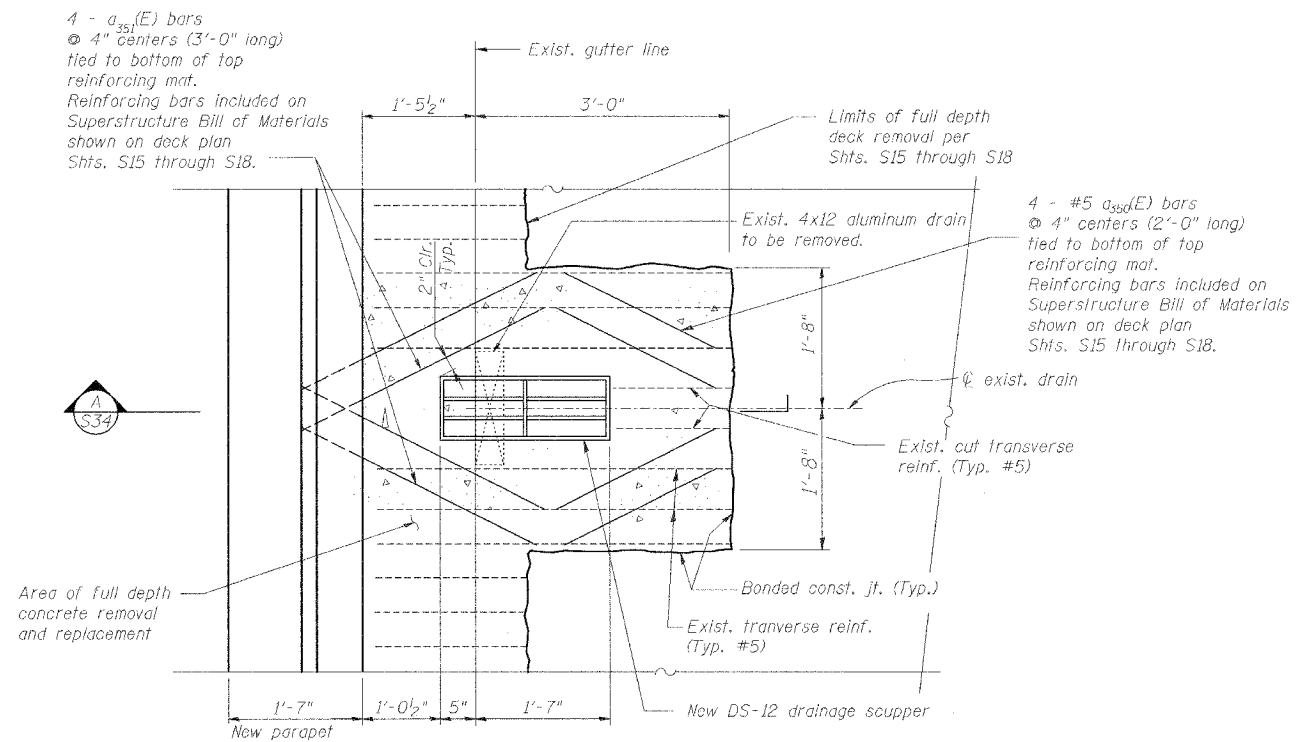
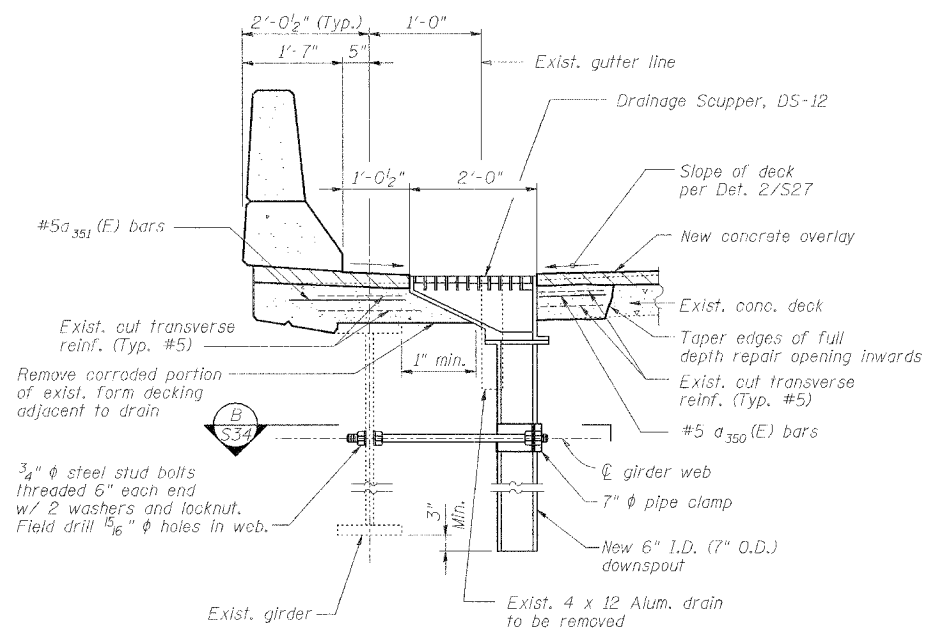


| | | | | |
|-----------------------|----------|-------------------------|--------------------|-----------|
| ROUTE NO. | SECTION | COUNTY | TOTAL SHEETS | SHEET NO. |
| F.A.I. 70 | * | ST. CLAIR | 111 | 57 |
| FED. ROAD DIST. NO. 7 | ILLINOIS | FED. AID PROJECT- IM-78 | | |
| * 82-3HVB-3R-3 | | | SHEET S-34 OF S-44 | |
| CONTRACT NO. 76305 | | | | |

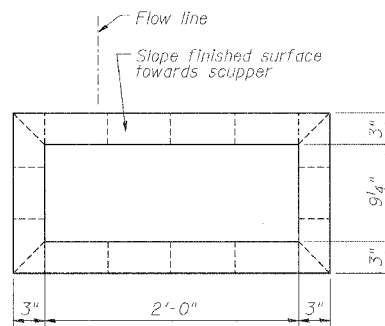


1 NEW DRAINAGE SCUPPER
S34

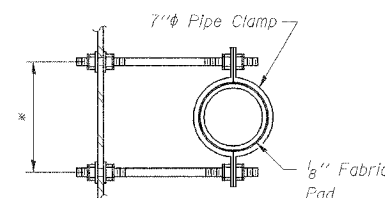
Note:
Exist. and new longitudinal reinforcement not shown for clarity. Cut exist. longitudinal reinforcement as necessary to clear new scupper.



SECTION A



TOP PLAN



SECTION B

* Dimension as required by Pipe Clamp

TYPICAL DRAINAGE DETAILS

| REVISIONS | |
|-----------|------|
| NAME | DATE |
| | |
| | |
| | |
| | |

STATE OF ILLINOIS
DEPARTMENT OF TRANSPORTATION
REHABILITATION AND RETROFIT REPAIRS
FAI ROUTE 70
POPLAR STREET BRIDGE APPROACHES
ST. CLAIR COUNTY

STRUCTURE NO. 082-0142 (RAMP S)
SCALE:
DATE: 02/28/2006

DATE: 4/19/2006 FILENAME: P:\2001\1201-1300\200112140\drafting\roadway\rehab\ds\parapet\drain\drain02.dgn

| | |
|----------|-----|
| DESIGNED | JPD |
| CHECKED | CSD |
| DRAWN | CLK |
| CHECKED | JPD |