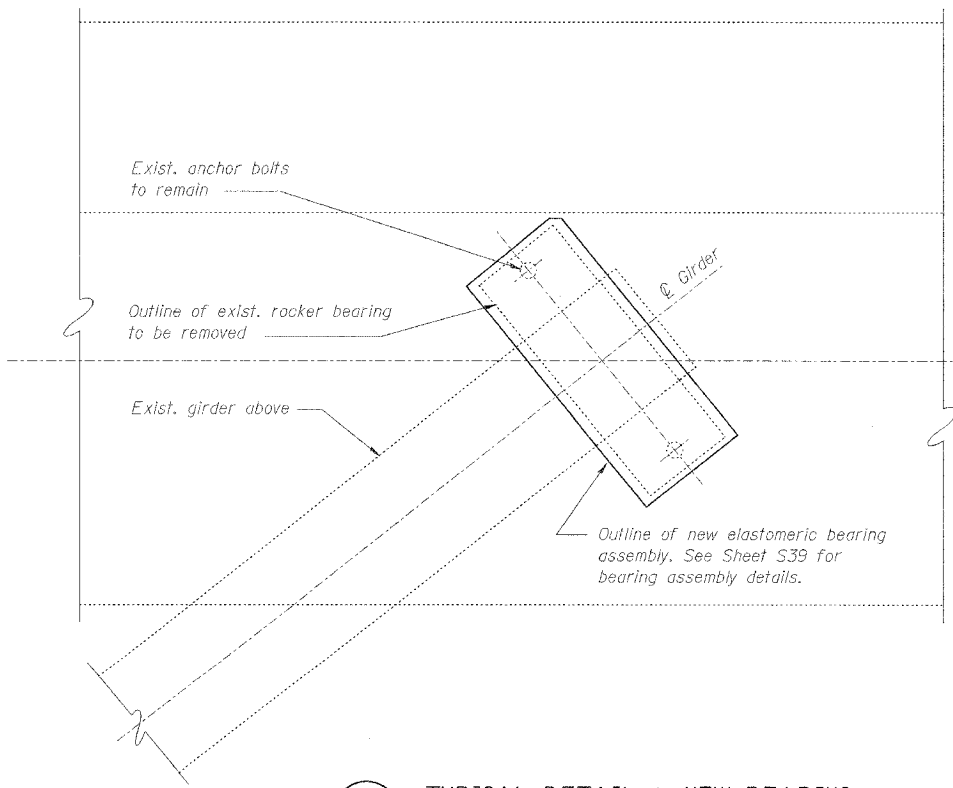
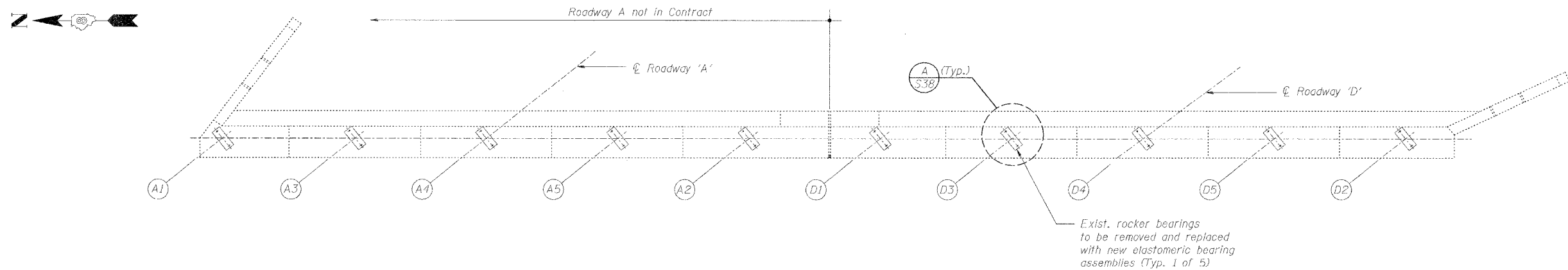


ROUTE NO.	SECTION	COUNTY	TOTAL SHEETS	SHEET NO.
F.A.I. 70	*	ST. CLAIR	111	61
FED. ROAD DIST. NO. 7	ILLINOIS	FED. AID PROJECT- 14-70		

• 02-3HVB-3R-3 SHEET 9-38 OF 9-44
CONTRACT NO. 76305



BILL OF MATERIAL - BEARINGS @ D46		
Item	Unit	Quantity
Jack and remove existing bearings	Ea.	5
Elastomeric bearing assembly, Type 1	Ea.	5

**BEARING REACTION TABLE
ABUTMENT D46**

Load*	Stringers D1-D5
R _D	(K) 45
R _L	(K) 29
Imp.	(K) 9
R (Total)	(K) 74

*Gravity Service Loads
* Minimum jack size: 70 Ton

REVISIONS	
NAME	DATE

BEARING REPLACEMENT DETAILS

STATE OF ILLINOIS
DEPARTMENT OF TRANSPORTATION
REHABILITATION AND RETROFIT REPAIRS
FAI ROUTE 70
POPLAR STREET BRIDGE APPROACHES
ST. CLAIR COUNTY

STRUCTURE NO. 082-0144 (ROADWAY 'D')
SCALE: N.T.S.
DATE: 02/28/2006

DATE: 4/19/2006
FILENAME: p:\2001\1201-1300\2001.1240\drafting\roadwayrehab_ds\rampd\bearings\d-bear01.dgn

DESIGNED	APJ
CHECKED	JEL
DRAWN	CLK
CHECKED	APJ