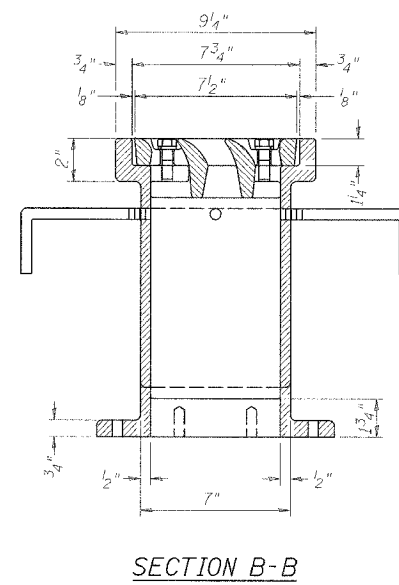
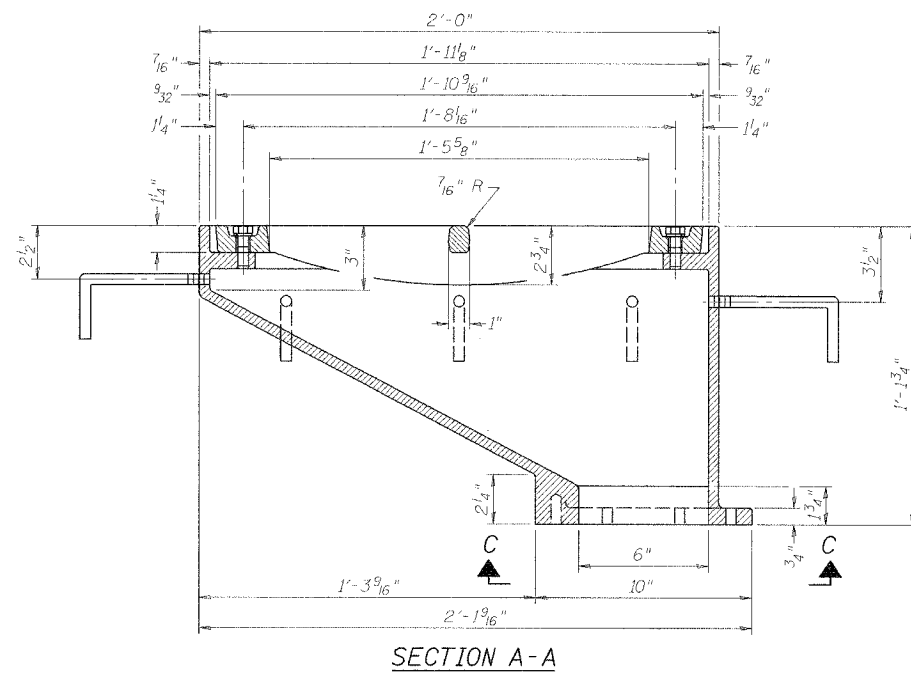
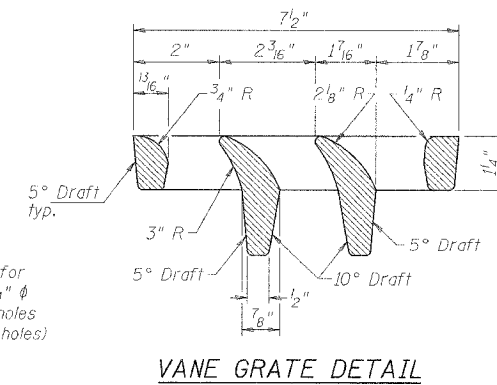
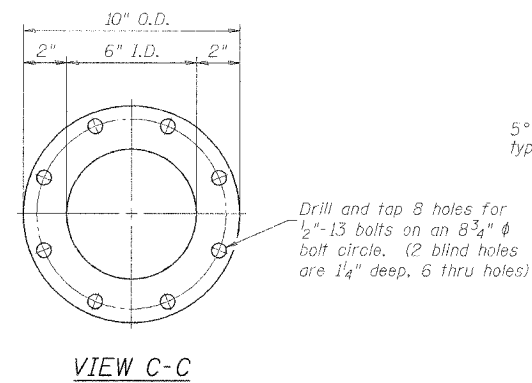
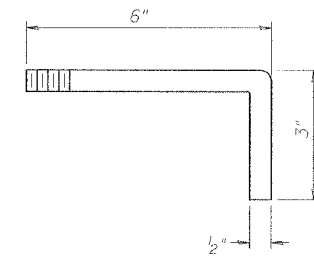
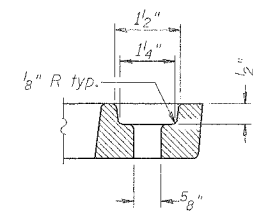
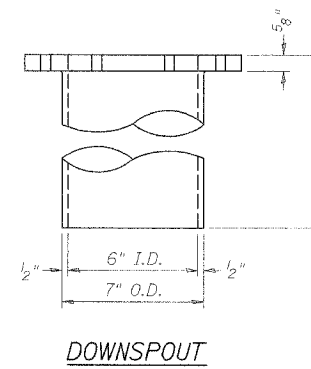
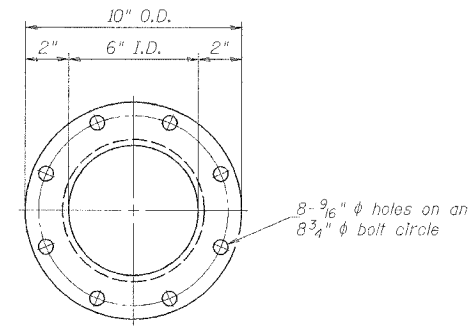
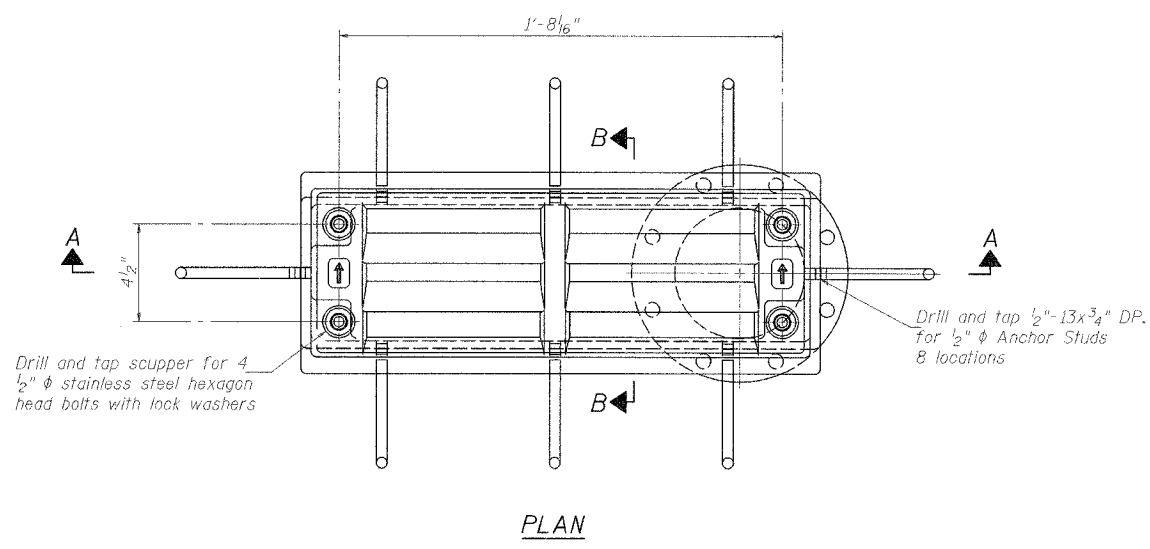


ROUTE NO.	SECTION	COUNTY	TOTAL SHEETS	SHEET NO.
F.A.I. 70	*	ST. CLAIR	111	107
FEA ROAD DIST. NO. 7	ILLINOIS	FED. AID PROJECT- 14-78		

* 82-3HVB-3R-3 SHEET S-40 OF S-44
CONTRACT NO. 76305



Notes: All cast iron parts shall be gray iron conforming to the requirements of AASHTO M 105, Class 35B.
Bolts, anchor studs, washers and nuts shall conform to the requirements of ASTM A 307 and shall be galvanized according to AASHTO M 232.
The grate, frame and downspout shall be galvanized according to AASHTO M 111 and ASTM A 385. Downspouts located on the exterior side of a painted steel fascia beam shall be painted with the finish coat specified for the exterior side of the fascia beam.
As an alternate, bolts, anchor studs, washers and nuts may be stainless steel according to Article 1006.29(d) of the Standard Specifications.
Structural steel weldments of equal sections and of the same configuration may be substituted for cast iron. Fillet or full penetration welds shall be used for the weldments. Details shall be submitted to the Engineer for approval.
The Contractor shall take appropriate measures to assure that Protective Coat is not applied to the scupper.
Cost of the Grate, Frame, Downspout, Anchor Studs, Bolts, Washers and Nuts including complete installation of the scupper shall be paid for at the contract unit price each for Drainage Scupper, DS-12.

See Sht. S39 for scupper location relative to parapet.

DRAINAGE SCUPPER - DS-12

REVISIONS	
NAME	DATE

STATE OF ILLINOIS
DEPARTMENT OF TRANSPORTATION
REHABILITATION AND RETROFIT REPAIRS
FAJ ROUTE 70
POPLAR STREET BRIDGE APPROACHES
ST. CLAIR COUNTY

STRUCTURE NO. 082-0142 (RAMP S)
SCALE:
DATE: 02/28/2006

DATE: 4/19/2006
FILENAME: P:\2001\1201-1800\2001.1240\drawing\roadway\rehab.dwg
FILENAME: P:\2001\1201-1800\2001.1240\drawing\roadway\rehab.dwg

DESIGNED	IDOT
CHECKED	CSD
DRAWN	CLK
CHECKED	JPD