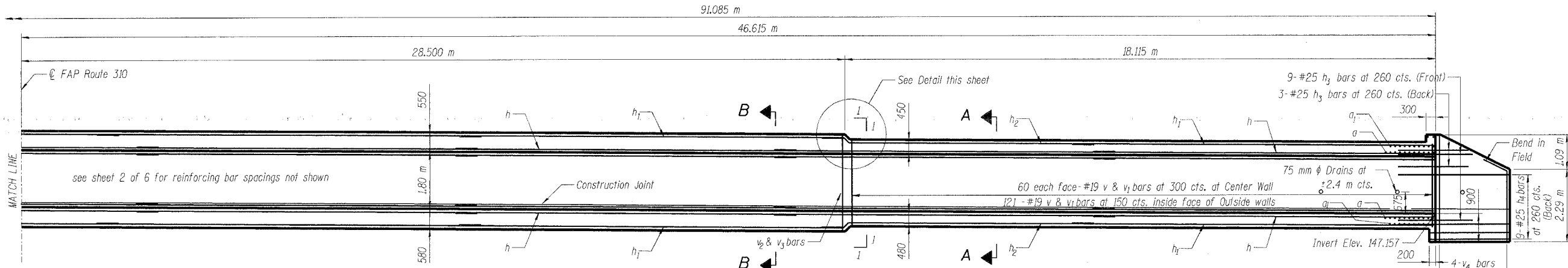


STATE OF ILLINOIS
DEPARTMENT OF TRANSPORTATION

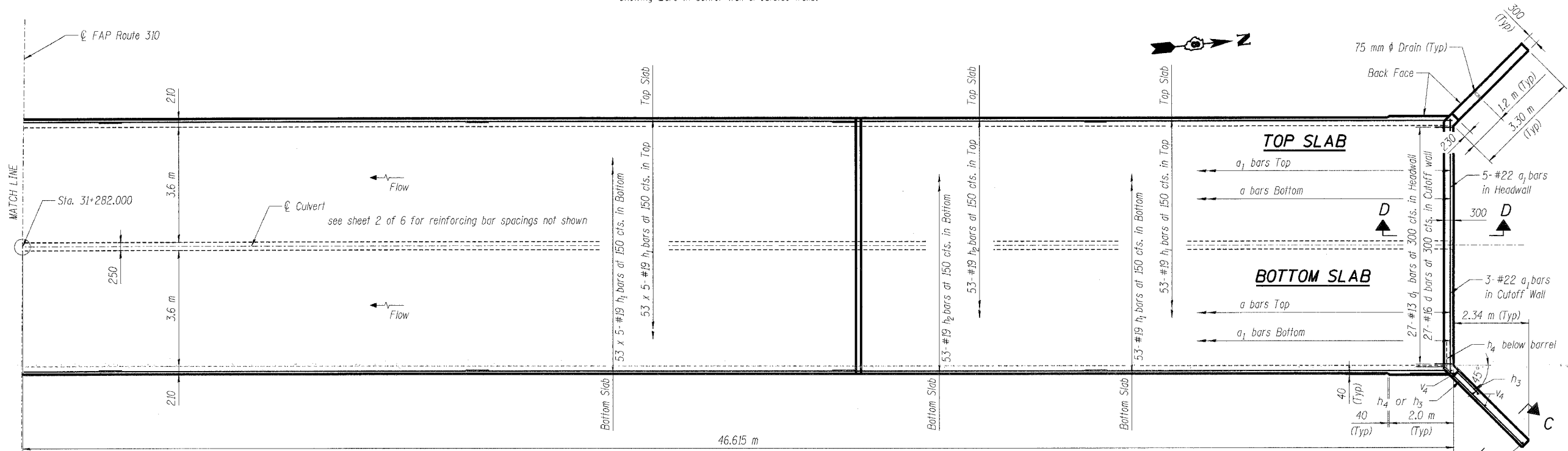
FAP ROUTE	SECTION	COUNTY	TOTAL SHEETS	SHEET NO.
310	60-14-1B	MADISON	469	156
STA. 31+282.000 TO STA.				
FED. ROAD DIST. NO. 8	ILLINOIS	FED. AID PROJECT-		

Sheet 3 of 6



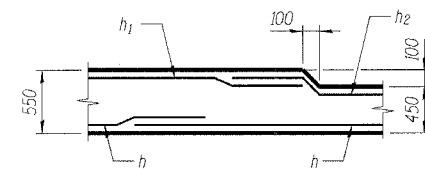
PARTIAL LONGITUDINAL SECTION

Showing Bars in center wall & outside walls.



PARTIAL PLAN

Showing Reinforcing in Slabs



DETAIL

Top Slab shown
Bottom Slab similar

DESIGNED	B.W.B.
CHECKED	M.A.A.
DRAWN	R.M.R.
CHECKED	B.S.C.

MIN. BAR LAP

#19 Bars 670
#22 Bars 910

Notes:

1. A distance of half the length of the wingwall, but not less than 2 m of the barrel, shall be poured monolithically with the wingwalls.
2. Bars indicated thus 12x4-#15 etc., indicates 12 lines of bars with 4 lengths per line.
3. For Bill of Materials, see Sheet 2 of 6.
4. Work this sheet with Sheets 2 & 4 of 6.
5. For Section A-A, B-B, C-C and D-D, see Sheet 4 of 6.

PLANS PREPARED BY:

WOOLPERT **LLP**
4315 North Illinois Street, Suite 1 C
Belleville, IL
62226-1045
618.277.7004
FAX: 618.277.6114

STATE OF ILLINOIS
DEPARTMENT OF TRANSPORTATION
FAP 310 OVER TRIBUTARY OF WEST FORK WOOD RIVER
SECTION 60-14-1B
MADISON COUNTY
STATION 31+282
STRUCTURE No. 060-2044
PARTIAL CULVERT PLAN AND SECTION II