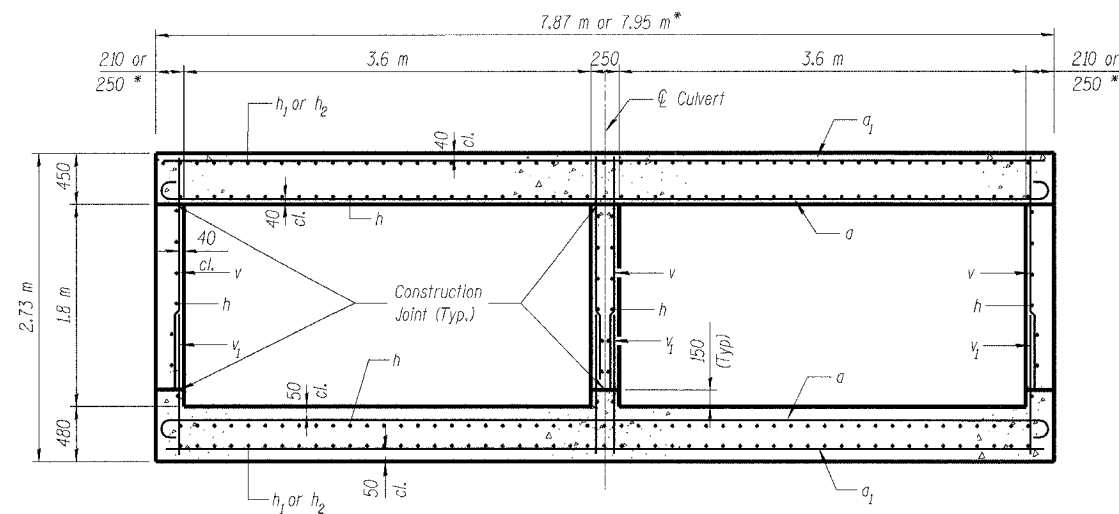


STATE OF ILLINOIS
DEPARTMENT OF TRANSPORTATION

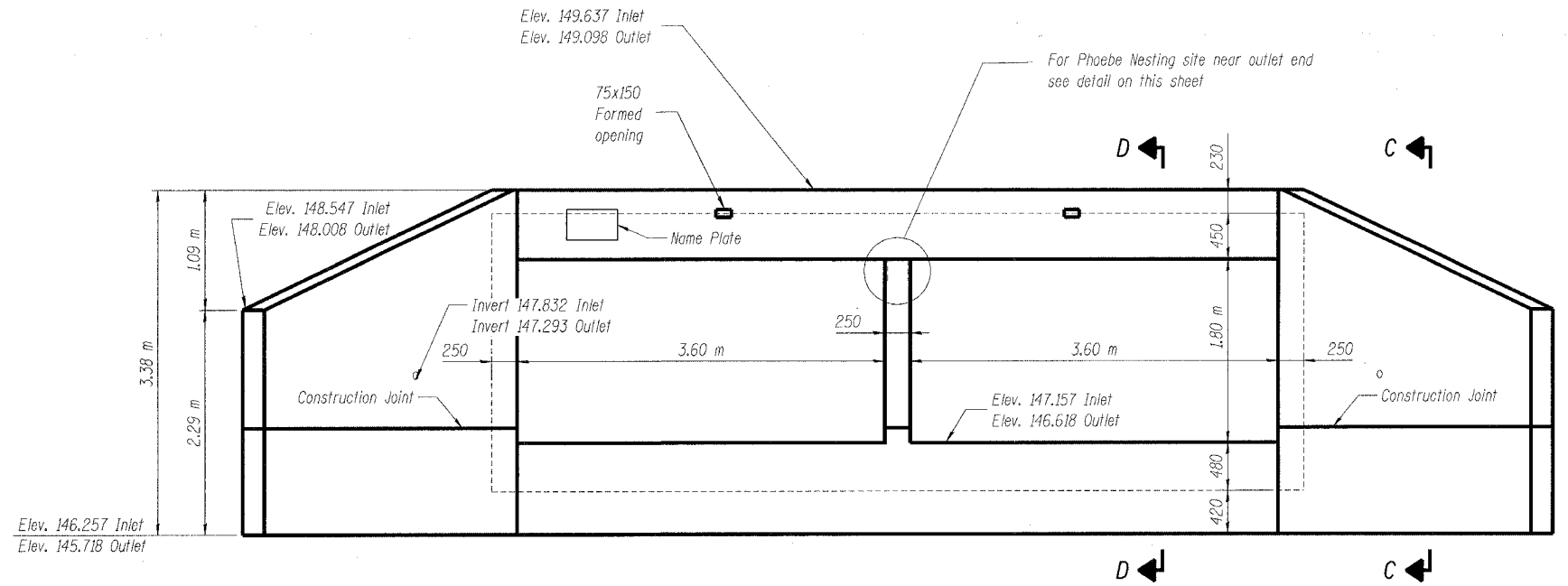
FAP ROUTE	SECTION	COUNTY	TOTAL SHEETS	SHEET NO
310	60-14-1B	MADISON	469	157
STA.	31+282.000 TO STA.			
FED. ROAD DIST. NO. 8	ILLINOIS	FED. AID PROJECT-		

Sheet 4 of 6

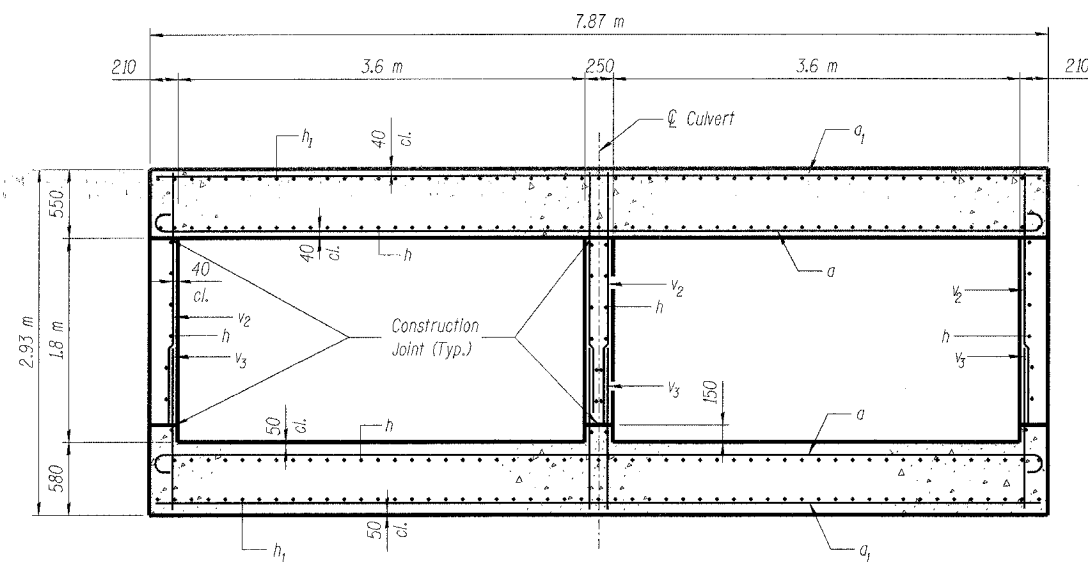


SECTION A-A

* Within the last 2.0m each end of culvert.

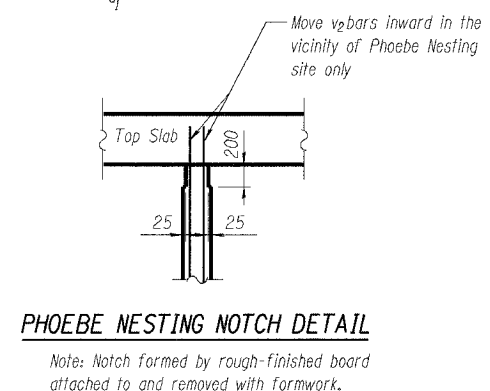
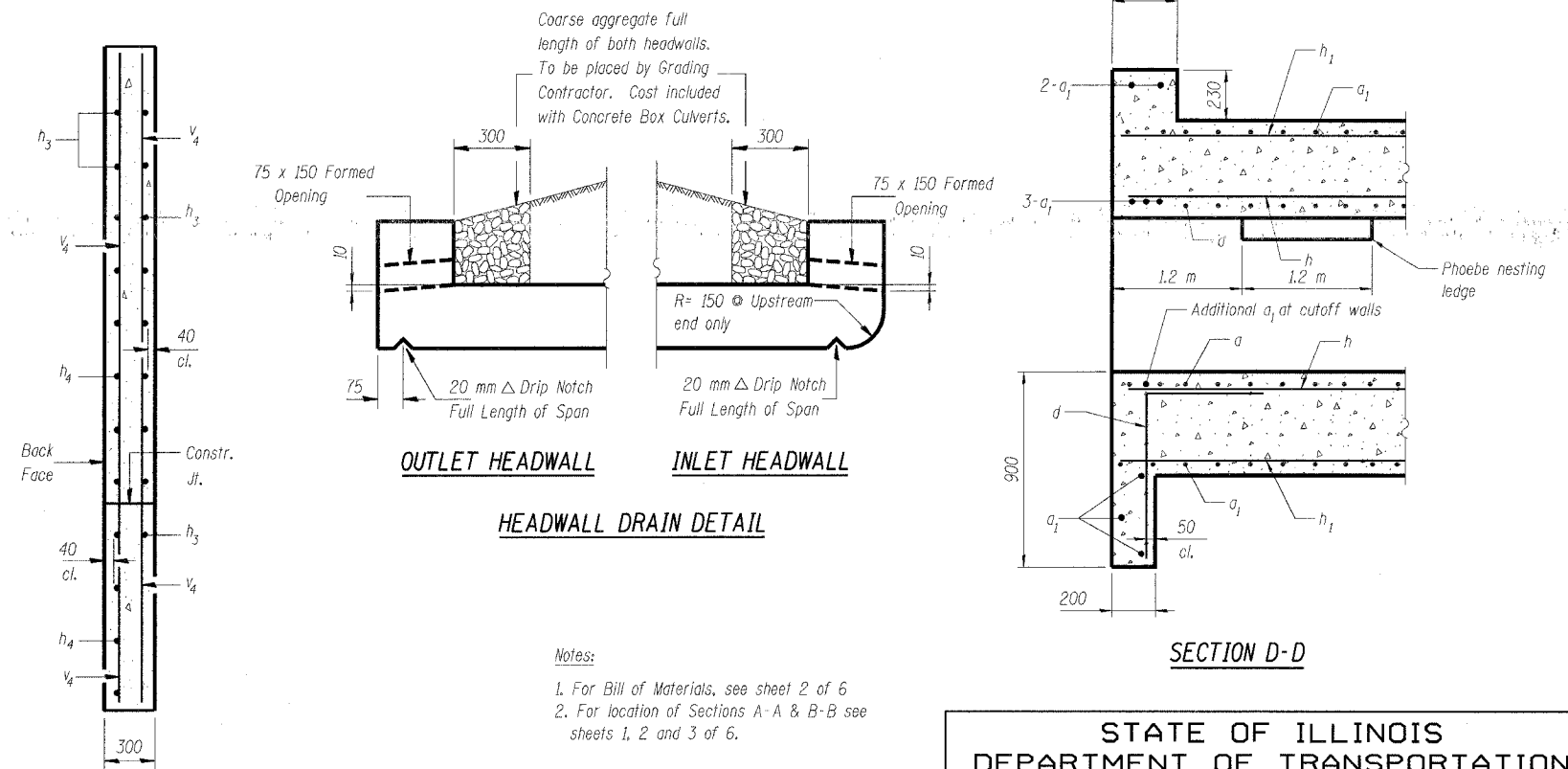


END ELEVATION



SECTION B-B

DESIGNED	B.W.B.
CHECKED	M.A.A.
DRAWN	R.M.R.
CHECKED	B.S.C.



PHOEBE NESTING NOTCH DETAIL

STATE OF ILLINOIS
DEPARTMENT OF TRANSPORTATION
FAP 310 OVER TRIBUTARY OF WEST FORK WOOD RIVER
SECTION 60-14-1B
MADISON COUNTY
STATION 31+282
STRUCTURE No. 060-2044
CULVERT & WINGWALL SECTIONS AND DETAILS

PLANS PREPARED BY:
WOOLPERT
WOOLPERT LLP
4315 North Illinois Street, Suite 1 C
Belleville, IL
62226-1045
618.277.7004
FAX: 618.277.6114